



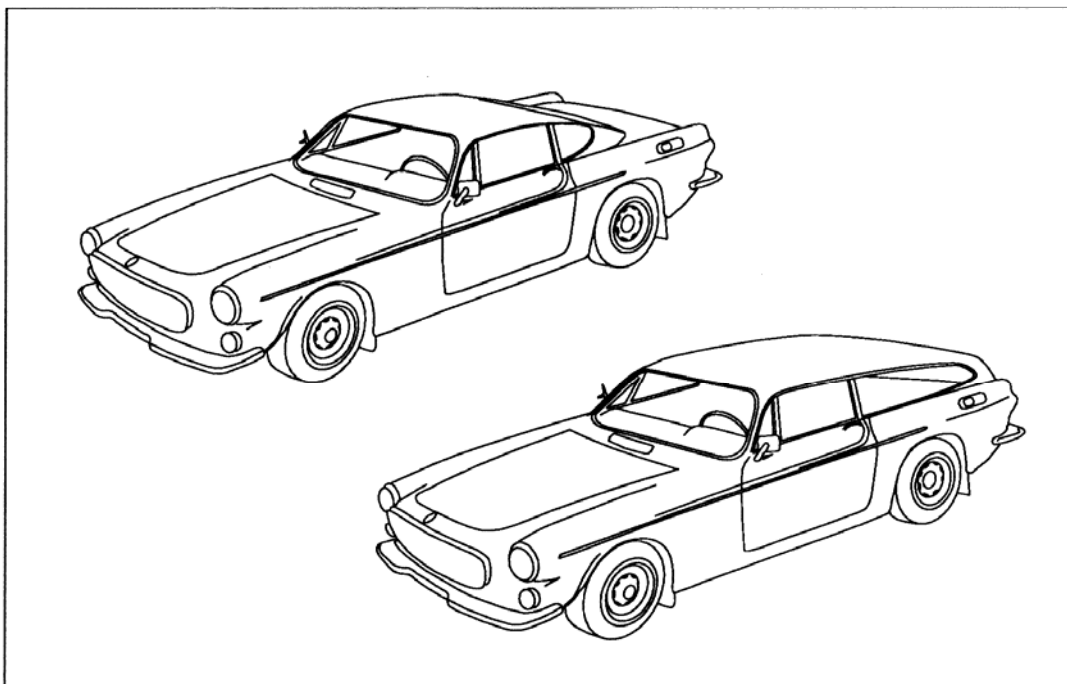
# AUTOMOTIVE AB

*Volvo PV444/544 P120 Amazon P1800 Specialists*

CVI Automotive AB  
Malnvägen 10  
824 50 Hudiksvall  
SWEDEN

Tel: (+46) 650 75900  
Fax: (+46) 650 75901  
Internet: [www.cvi-automotive.se](http://www.cvi-automotive.se)  
e-mail: [info@cvi-automotive.se](mailto:info@cvi-automotive.se)

## CATALOGUE *for genuine & remanufactured* VOLVO P1800 & 1800 ES SPARE PARTS



**ALL PRICES INCLUDE VAT. NON-EU CUSTOMERS DEDUCT 20% FROM PRICES STATED**  
VAT REG N° SE556617846201

CVI AUTOMOTIVE AB  
BANK: SVENSKA HANDELSBANKEN  
BANKGIRO: 5044-5691  
POSTGIRO: 6412737-6  
ORG. N° 556617-8462

**CATALOGUE DATE: December 2007**

© 2003 CVI Automotive AB - issued on the agreement that no information contained herein may be reproduced in part or whole without the written consent of CVI Automotive AB.

2003 – Reservation for price changes



# CVI AUTOMOTIVE AB

PV 444/544, P120 AMAZON & P1800 SPECIALISTS

PO Box 131  
MALNVÄGEN 10  
824 23 HUDIKSVALL  
SWEDEN

TEL: + 46 650 75900  
FAX: + 46 650 75901

## CATALOGUE OVER SPARE PARTS FOR VOLVO P1800, 1800S, 1800E & 1800ES

- Parts are mostly Volvo genuine (or from Volvo's genuine suppliers) or are re-manufactured to a very high standard
- "R" means that the item is remanufactured. "LHD" means Left-hand drive "RHD" means Right-hand drive
- "pc." means price per piece. "pr." means price per pair. "m" means price per meter
- "B" or "S/H" means that the item is used (not new): please call for further details
- "CH" means chassis number "NLA" means no longer available

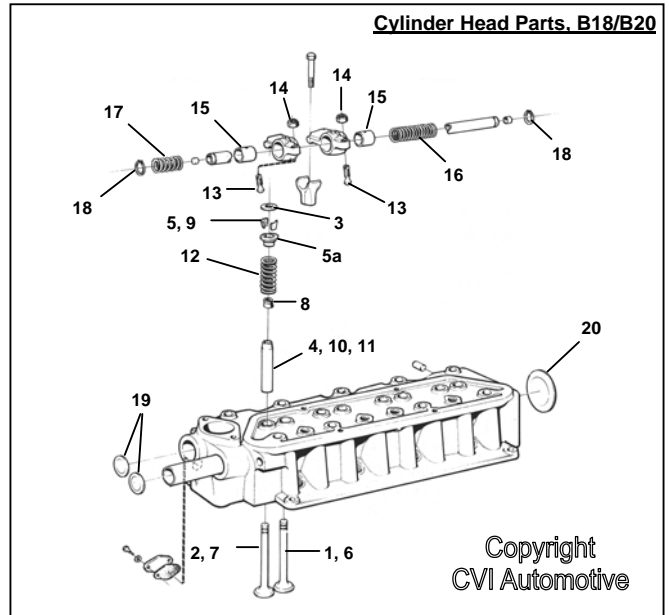
### CONTENTS

Page 3:	Engine Parts, B18 & B20	Page 33:	Rear axle suspension
Page 4:	Engine Parts, B18 & B20 (cont'd.)	Page 34:	Front suspension
Page 5:	Engine Parts, B18 & B20 (cont'd.)	Page 35:	Steering system
Page 6:	Fuel pumps & repair kits (carburettor system)	Page 36:	Brake master cylinders (B18 single-circuit): Hand brake system (-1969): Brake servo B18
Page 7:	SU carburettors (B18B, B20B RHD)	Page 37:	Front disc brakes, B18: Rear brakes (B18 single-circuit)
Page 8:	Air filters, SU HS6 carburettors	Page 38:	Brake pipes & hoses (B18 single-circuit)
Page 9:	Stromberg carburettors (B20B LHD, 1969): Filter for Stromberg carbs	Page 39:	Brake master cylinder (B18 dual-circuit) Rear brakes (B18 dual-circuit)
Page 10:	Choke & throttle linkage, carburettor system	Page 40:	Brake pipes & hoses (B18 dual-circuit)
Page 11:	Fuel tanks, sender units, pipes and hoses	Page 41:	Brake master cylinder (B20)
Page 12:	Fuel Injection system: Air filter for FI system	Page 42:	Front disc brakes B20: Rear brakes 1969 only
Page 13:	Throttle control FI system: Exhaust recirculation	Page 43:	Rear brakes (1800E/ES 1970-1973) Hand-brake system, 1800E/ES
Page 14:	Cooling system	Page 44:	Body panels: Mudflaps
Page 15:	Ignition system	Page 45:	Door components & guide channels, door locks
Page 16:	Distributor parts for B18 distributors	Page 46:	P1800/S Fuel filler flap and lock: 1800 ES Tailgate glass, handle, lock: Locks and lock sets
Page 17:	Distributor parts for B20 distributors	Page 47:	Glass & Rubber seals for glass: Rubber seals for bonnet & boot: Body plugs & Grommets
Page 18:	Exhaust system	Page 48:	Exterior trim, P1800 & 1800S, 1961 - 1966
Page 19:	Charging system	Page 49:	Exterior trim, 1800S & 1800E
Page 20:	Switches: flasher relays: fuseboxes	Page 50:	Exterior trim, 1800 ES
Page 21:	Wiring harnesses (Lucas textile-braided '61-'69)	Page 51:	Bumpers, 1800S/E/ES (from ch. no. 12500-)
Page 22:	Wiring harnesses (plastic-sheathed '70-'73)	Page 52:	Dashpadding
Page 23:	Lighting, front	Page 53:	Door and wing mirrors
Page 24:	Lighting, rear: Interior lighting	Page 54:	Heater system
Page 25:	Windscreen wipers and washers	Page 55:	Literature: Spare Parts catalogues Decals (stickers)
Page 26:	Clutch: Clutch hydraulics (B18): Clutch cable (B20)	Page 56:	<b>How to order</b>
Page 27:	Gearbox lids, shifters, transmission mountings		
Page 28:	Gearbox (M41 & M410): Speedo cables/angle box		
Page 29:	Automatic transmission, BW 35: Propshaft and universal joints		
Page 30:	Overdrive Parts, "D" type (B18)		
Page 31:	Overdrive Parts, "J" type (B20)		
Page 32:	Rear axle bearings & seals: brake drums		

Remember: if the item you want is not mentioned in the catalogue then WE DO NOT CARRY THAT ITEM! Sorry, but you must search elsewhere.

**Part#**

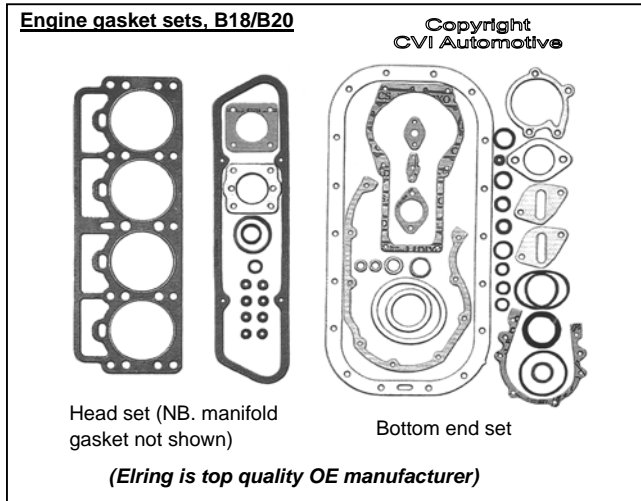
- 419368 (1.) Inlet valve, B18
- 419292 (2.) Exhaust valve, B18
- 419292-1 Engine valve set, B18 (4in+4ex)**
- 415424 (3.) Protector seal, above valves, B18
- 415266 (4.) Valve guide, B18 (inlet/exhaust)
- 415035 (5.) Valve collet, B18 (2/valve)
- 415273 (5a.) Lock washer, B18 (1/valve)
- 419639 (6.) Inlet valve, B20B (42 mm, std.)
- 419766 (6.) Inlet valve, late B20B/B20E/F (44 mm)
- 419640 (7.) Exhaust valve, B20B (35 mm, std.)
- CVI-5406 (HD) (7.) Exhaust valve, B20 (37mm h-duty)
- 419735 (7.) Exhaust valve, B20E/F (genuine)
- 1306630 (8.) Valve stem seal, B20 valves (Ref 419702)
- 8291532 Hardened valve seat, for lead-free conv'n.
- 419643 (9.) Valve collet, B20 (2/valve)
- 419652 (10.) Valve guide, B20, inlet
- 419653 (11.) Valve guide, B20, exhaust
- 418737 (12.) Valve spring, B18/B20 (genuine)
- 418286 (13.) Tappet adjuster screw, B18/B20
- 921781 (14.) Lock nut, tappet adjuster
- 418297 (15.) Rocker arm bushing
- 418426 (16.) Spring (3 per car)



**Part#**

- 914456 (18.) Circlip
- 418717 (19.) Core plug (35 mm) (2/engine)
- 418718 (20.) Core plug (45 mm) (7/engine)

**Engine gasket sets, B18/B20**



- 275439 Manifold gasket set, '61-'66
  - 275480 Manifold gasket set, '67-'70
  - 271341 Manifold gasket set, B20E/F (genuine)
  - 271341-1 Manifold gasket set, B20E/F (R)
- (The above include manifold gasket + downpipe gasket)*

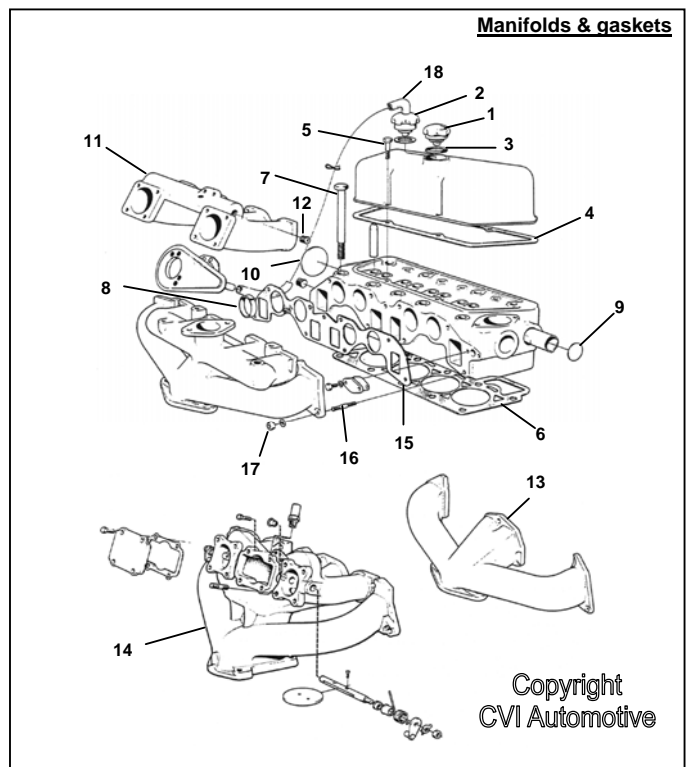
- 275411 Head set, B18 (incl. manifold gasket) Eling
  - 275411-1 Head set, B18 (incl. manifold gasket) (R)
  - 275536 Head set, B20B (incl. manifold gasket) Eling
  - 275560 Head set, B20E/B20F (genuine)
- (275560 does not include manifold gasket)*

- 270628 Bottom end set, B18/B20 (genuine)
- 270628-1 Bottom end set, B18/B20 (R)

- 275411/270628 Engine gasket set, B18 (genuine)**
- 275494 Engine gasket set, B18 (R)
- 275536/270628 Engine gasket set, B20B (genuine)**
- GaskB20B Engine gasket set, B20B (R)
- 275560/270628 Engine gasket set, B20E/F (genuine)**
- GaskB20E/F Engine gasket set, B20E/B20F (R)

**Part#**

- 403515 (1.) Oil filler cap, without vent
- 418954 (2.) Oil filler cap, with vent
- 940096 (3.) Seal, under cap (genuine)
- 419678 (4.) Rocker cover gasket (genuine)
- 950045 (5.) Screw for rocker cover (4/car)
- 418990 (6.) Cylinder head gasket, B18 (Payen)
- 419310 Cylinder head gasket, B20B (Eling)
- 419310-1 Cylinder head gasket, B20E (R)
- 419763 Cylinder head gasket, B20E
- 9139282 Cylinder head gasket, B20F (ref: 460322)
- 419310-HD Cylinder head gasket, B20 (steel reinforced) (use for bore up to 2.2 liter as well)
- 191523 (7.) Bolt for cylinder head (genuine)
- 191523-10 Bolt set for cylinder head (10 bolts)**
- 418408 (8.) Guide sleeve
- 418717 (9.) Core plug (35 mm) (2/engine)
- 418718 (10.) Core plug (45 mm) (7/engine)
- 418910B (11.) Inlet manifold, B18B/D (2nd-hand)
- 952075 (12.) Plug on manifold
- 418405 (13.) Exhaust manifold, B18B (single downpipe)
- 419561 (14.) Inlet and exhaust manifold, B20B
- 418870 (15.) Manifold gasket, B18/B20B
- 419764 (15.) Manifold gasket, B20E/F
- 953238 (16.) Manifold stud (38 mm)
- 953241 Manifold stud (45 mm)
- 953243 Manifold stud (50 mm)
- 955826 (17.) Nut for studs
- 460003 (18.) Hose, B18B/D '61-'66 (R)



**Camshafts, Cam followers (lifters):**

**Part#** (Note: new cams should always be fitted with new followers - and vice versa)

1218579 (1.) Camshaft, type "C" (genuine: ref 418707)

1218580 (1.) Camshaft, type "D"  
1218581 (1.) Camshaft, type "K"

910118 (2.) Woodruff key for camshaft  
418363 (3.) Spacer ring, behind camshaft  
150169 (4.) Camshaft nut  
419681 (5.) Thrust flange behind cam gear (genuine)

1218630 (6.) Cam follower (Ref 418423)

**NB! Warranty for cams and followers is only given when both items are purchased - and fitted - at the same time!**

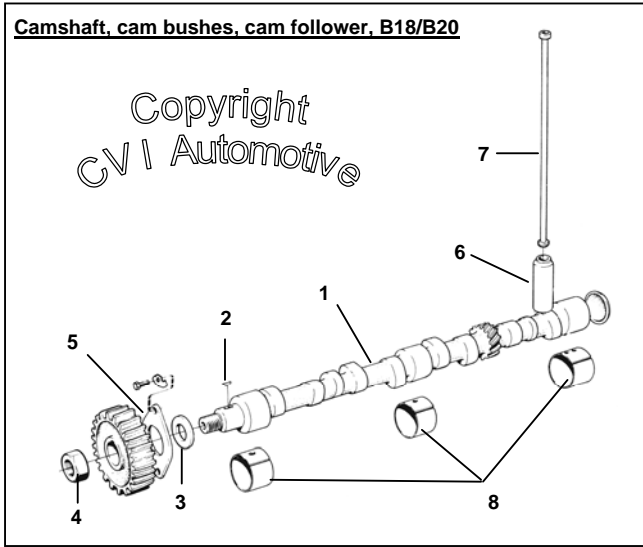
418304 (7.) Pushrod (heavy-duty)

430119 } (8.) now 430119-1 Camshaft bearing set, std sizes  
418249 }  
418250 }

**Camshaft Kits (include cam & 8 followers + assembly grease):**

**Part#**  
275762 Camshaft kit, type "C"  
275763 Camshaft kit, type "D"  
275764 Camshaft kit, type "K"

**Camshaft, cam bushes, cam follower, B18/B20**



**Timing gears, ancillaries and gear sets:**

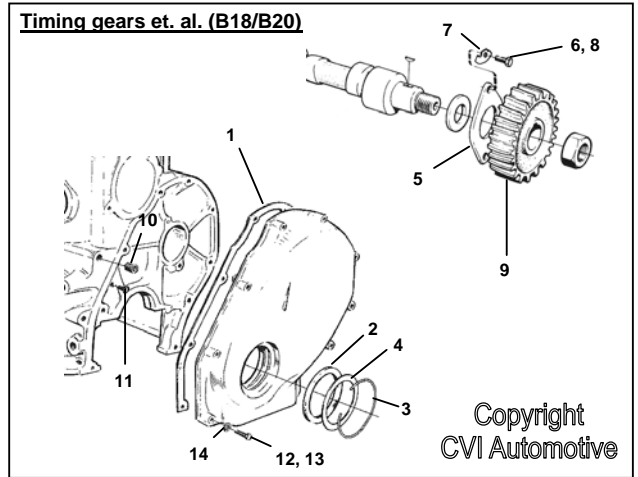
**Part#**  
418272 (1.) Timing cover gasket (extra thick)  
418622 (2.) Felt seal, in timing cover  
418624 (3.) Circlip  
418626 (4.) Retainer ring  
419681 (5.) Thrust flange behind cam gear (genuine)

955512 (6.) Screw, early type Use lock screw 943455  
418422 (7.) Lock washer, early type Use lock screw 943455  
943455 (8.) Lock screw for thrust flange (2/car)

270690-9 (9.) Timing gear set (fiber) (genuine)  
271944 Timing gear set (steel) (genuine)  
(NB. Crankshaft gear not shown in this illustration - see page 4)

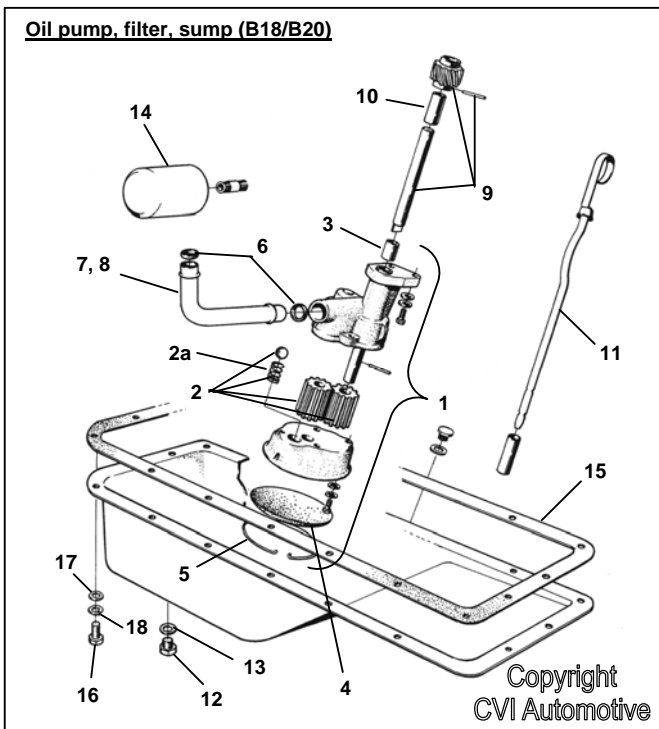
952075 (10.) Oilway plug  
418416 (11.) Oil feed nipple  
  
955514 (12.) Bolt for timing cover, 25 mm (2/car)  
940158 (13.) Bolt for timing cover, 45 mm (7/car)  
941906 (14.) Curved spring washer (9/car)

**Timing gears et. al. (B18/B20)**

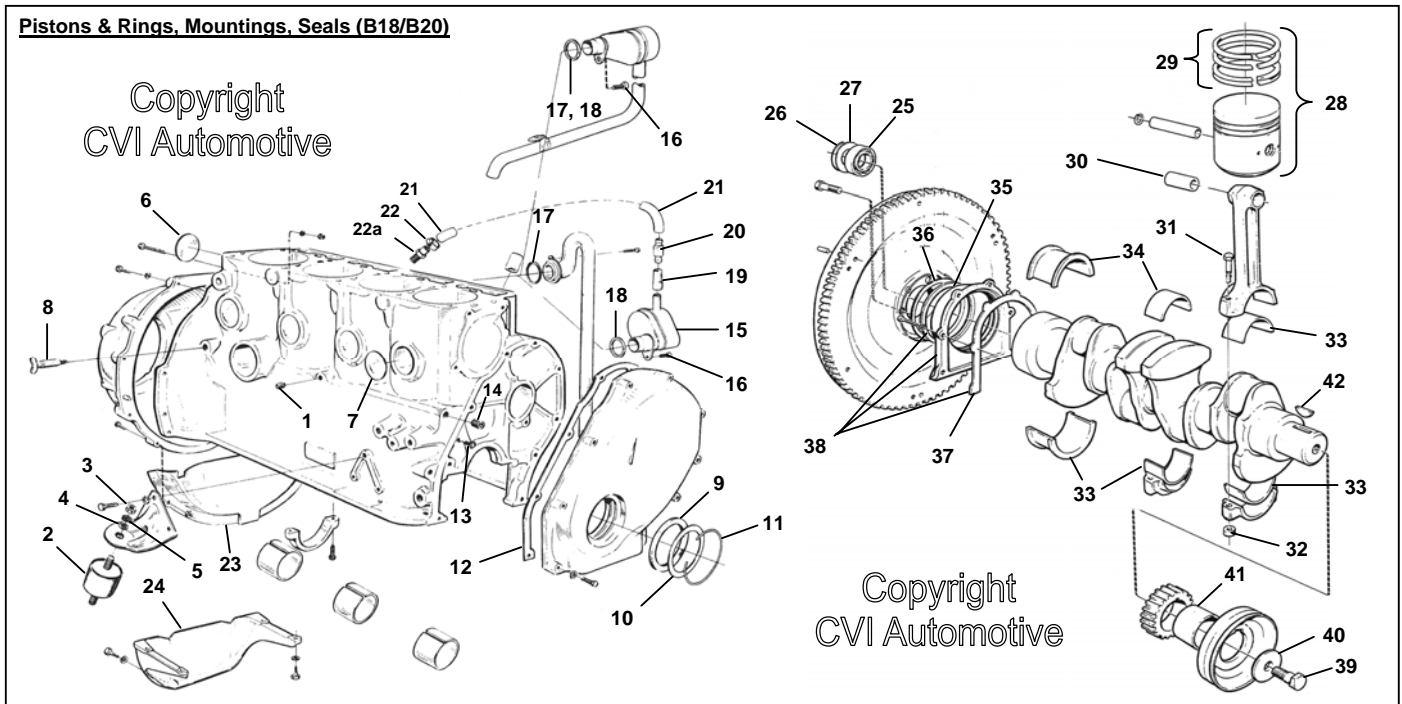


**Oil Pump, Oil Filter, Sump Plug and Gasket:**

**Oil pump, filter, sump (B18/B20)**



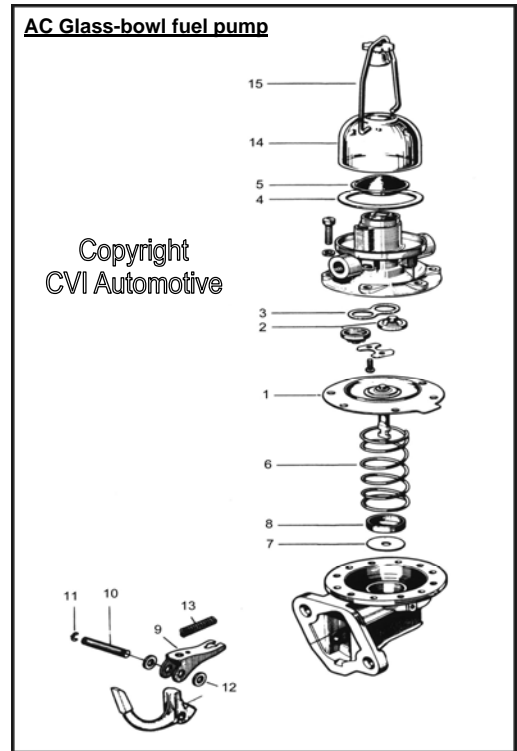
**Part#**  
1218706 (1.) Oil pump (aluminium)  
RV-510 (2.) Repair kit, for B20 type oil pump  
  
430161 (2a.) Return spring, oil pump  
18130 (3.) Bushing  
418288 (4.) Strainer for oil pump  
418289 (5.) Lock ring, for strainer  
418360 (6.) Rubber seal for oil delivery pipe  
  
418627 (7.) Oil delivery pipe, B18 Call  
419539 (8.) Oil delivery pipe, B20  
  
418277 (9.) Distributor drive gear, with shaft  
418251 (10.) Bush for drive gear  
  
418643 (11.) Oil dipstick NLA  
190798 (12.) Oil drain plug  
18818 (13.) Copper gasket  
948187 12+13 Oil drain plug with gasket (magnetic)  
  
1606877 Oil pressure sender (R)  
3517857 (14.) Oil filter (genuine)  
418432-1 (14.) Oil filter (Mann)  
418262 (15.) Sump gasket  
955523 (16.) Bolt for sump attachment (length = 16 mm)  
955524 (16.) Bolt for sump attachment (length = 19 mm)  
955894 (17.) Flat washer  
941907 (18.) Curved spring washer



<u>Part#</u>			<u>Part#</u>		
277016	Engine paint, red (250 ml can)	(R)	<b>(Note. Pistons are sold in singles: ring sets are for 1 engine)</b>		
16218	(1.) Elbow union for oil pressure hose, '61-'69		275193	(28.) Piston with rings, B18, std.	(Volvo/Mahle)
419834	(1.) Elbow union (twin outlet), '70-'73	NLA	275194	Piston with rings, B18 020"	(Volvo/Mahle)
666890	(2.) Engine mounting	(genuine)	275195	Piston with rings, B18 030"	(Volvo/Mahle)
940157	(3.) Nut for engine mounting		275196	Piston with rings, B18 040"	(Volvo/Mahle)
955896	(4.) Washer		275282	(29.) Piston ring set, B18, std.	
940110	(5.) Spring washer		275283	Piston ring set, B18 020"	
1221967	Gearbox mounting (M41)	(R)	275284	Piston ring set, B18 030"	
683711	Gearbox mounting (M410)		275285	Piston ring set, B18 040"	
662711-1	Gearbox mounting (BW35 - automatic) (R)		275286	Piston ring set, B18 050"	
418677	(6.) Core plug (42 mm)	1/engine	272002	(28.) Piston with rings, B20, std.	(88,86-88,89 mm)
418718	(7.) Core plug (45 mm)	7/engine	272003	Piston with rings, B20, std.	(88,91 Mahle)
82745	(8.) Drain cock on engine block		272012	Piston with rings, B20 015"	(Mahle)
418622	(9.) Felt seal, front		272004	Piston with rings, B20 030"	(Mahle)
418626	(10.) Retainer ring		272005	Piston with rings, B20 040"	(Mahle)
418624	(11.) Lock ring		275334-1	(29.) Piston ring set, B20, std.	(repls. 275306)
418272	(12.) Gasket	(extra thick)	275314-1	Piston ring set, B20 015"	
418416	(13.) Oil feed nipple		275336	Piston ring set, B20 030"	(repls. 275307)
952075	(14.) Oilway plug		418295	(30.) Small end bush	(standard size)
418906	(15.) Breather (late B18, use ring 418412)		418465	Small end bush	(oversize)
419808	(15.) Breather (B20, use ring 419805)		415223	(31.) Con rod bolt	
955512	(16.) Screw		191410	(32.) Nut	
418412	(17.) Sealing ring	(B18 di = 21)	271051	(33.) Big end bearing set	(standard size)
419805	(18.) Sealing ring	(B20 di = 26)	271052	Big end bearing set	(- 0.010")
419422	(19.) Hose		271053	Big end bearing set	(- 0.020")
418982	(20.) Valve		276665	Big end bearing set	(- 0.030")
943706	(21.) Hose, crankcase ventilation	(B18)	271003	Big end bearing set	(- 0.040")
942390	(21.) Hose, crankcase ventilation (R)	(B20)	271214	(34.) Main end bearing set	(standard size)
419446	T-piece (nipple) (not shown on illustration)		271215	Main end bearing set	(- 0.010")
942928	(22.) Clip		271216	Main end bearing set	(- 0.020")
942461	(22a.) Nipple	(R)	276701	Main end bearing set	(- 0.030")
11009	(25.) Gearbox input shaft support bearing	(R)	271204	Main end bearing set	(- 0.040")
191848	(26.) Lock ring		418621	(35.) Felt seal, rear (original old-style sealing)	
418663	(27.) Cover plate		418625	(36.) Retaining ring (original old-style sealing)	
WM10402	Workshop manual, engine B18A (genuine)		430134	(37.) Gasket for rear flange	(standard)
WM10115	Workshop manual, engine B18B/D (genuine)		430134-1	(37.) Gasket for rear flange	(thick)
9992405	Puller, to remove crankshaft gear	(R)	1218634 S	(38.) Crankshaft seal kit (37/38/38a)	oil seal type Converts felt seal to modern-style oil seal
			430118	(38a.) Oil seal for modern style sealing	
			940111	(39.) Bolt for crankshaft pulley	
			191688	(40.) Washer	
			418264	(41.) Hub	
			910123	(42.) Woodruff key	

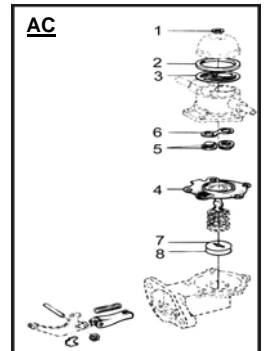
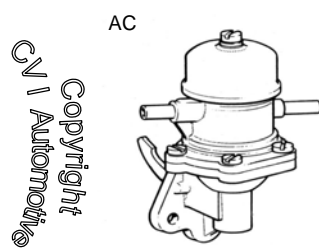
**Fuel pump, with glass bowl, type AC (234008), 1961-1964**

<b>Part#</b>			
234008 (B)	Fuel pump (B18) (used only)	(1961-64)	
CVI-AC1	Union, to use pump with <u>rubber</u> fuel hose		
61942	(1.) Diaphragm (genuine)		
73580	(2.) Valve (2 per pump)		
73582	(3.) Gasket under valve (double: 1 per pump)		
15517	(3.) Gasket, under valve (single: 2 per pump)		
18780	(4.) Gasket under glass bowl (cork type)		
190633	(4.) Gasket under glass bowl (rubber type)		
1378905	Flange gasket, against engine block (2/car)		
<b>276223</b>	<b>Repair kit (nos. 1-4 + flange gasket x 2)</b>		
73537	(5.) Strainer	See 276224	
234002/3	(7/8.) Seal/retainer	See 276224	
61945	(9.) Lever	See 276224	
73529	(10.) Shaft	See 276224	
70498	(11.) Lock ring (2 per pump)	See 276224	
61947	(12.) Washer	See 276224	
61949	(13.) Spring	See 276224	
<b>276224</b>	<b>Overhaul kit (276223 + above items)</b>	<b>NLA</b>	
460678	Plastic spacer pump/engine (ref: 301002)		
1378905	Gasket, either side of spacer (old 61830)		
73575	(14.) Glass bowl		
73539	(15.) Brace, for glass bowl		
64757	Fuel hose (braided), between pipe & pump		
954335	Union, on front of pump (See Page 11 for illustration)	NLA	



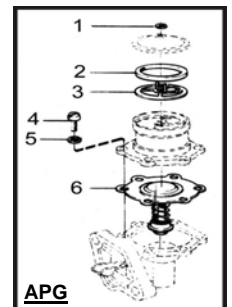
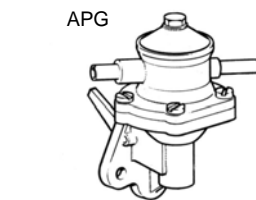
**Fuel pump, type AC (419291) (mixed with Pierburg '65-'69):**

<b>Part#</b>			
419427	(1.) Fiber washer	See 276281	
419428	(2.) Seal under lid	See 276281	
D-419291	(3.) Strainer (NB. Not included in 276281)		
73580	(4.) Diaphragm	See 276281	
15517	(5.) Valve (2 per pump)		
(7/8.)	Seal/washer, under spring	See 276281	
1378905	Flange gasket, against engine block (2/car)		
<b>276281</b>	<b>Repair kit for 419291 (1, 2, 4-8)</b>		



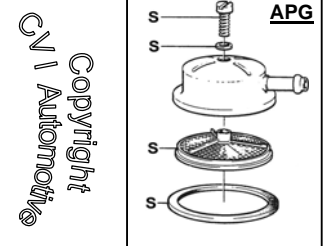
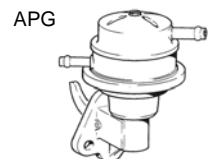
**Fuel pump, type Pierburg (418878, marked "APG" - mixed with AC '65-'69):**

<b>Part#</b>			
15521	(1.) Fiber washer	See 276520	
418948	(2.) Gasket, under lid		
418946	(3.) Strainer (NB. Not included in 276520)		
956078	(4.) Screw		
955918	(5.) Spring washer		
D-418878	(6.) Diaphragm (with spring, seal, cup)	See 276520	
1378905	Flange gasket, against engine block (2/car)		
<b>276520</b>	<b>Repair kit for 418878 (nos. 1, 2, 4, 5, 6)</b>		



**Fuel pump, type Pierburg (460429, marked "APG"), late 1969:**

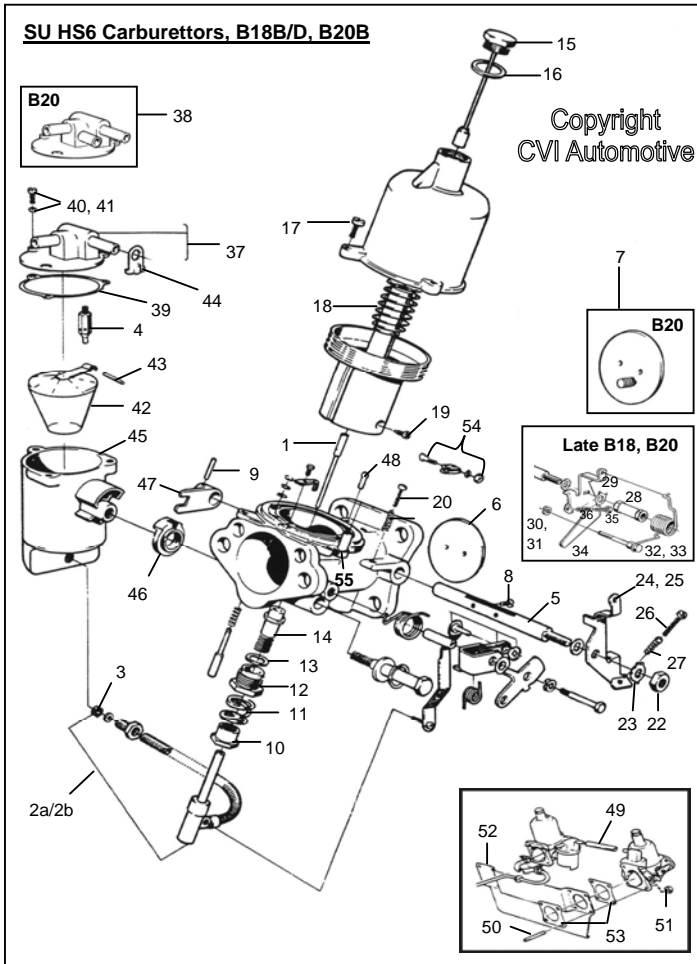
<b>Part#</b>			
All that is marked "S"	Fiber washer, under lid screw	See 276303	
	Screw	See 276303	
	Filter gauze	See 276303	
	Gasket, under lid	See 276303	
<b>276303</b>	<b>Filter kit for 460429</b>		
1378905	Gasket, against engine block (2/car)		



**Fuel pump, current genuine for B18/B20 (not fuel-injected engines):**

<b>Part#</b>		<b>Part#</b>	
1336184	Fuel pump, B18/B20 (modern genuine)	460678	Plastic spacer pump/engine (ref: 301002)
		1378905	Flange gasket, against engine block (2/car)
419796	Fuel hose, pipe to pump ('65-'69)	419797	Fuel hose, pump to carburettor ('65-'69)

(More items available - please call)



- Part#**
- 237244-45 SU HS6 (B18B) (NB. 3-bolt filter: state needle)
  - 237256-57 SU HS6 (B18B) (67-68 "KD" needles)
  - 237418-19 SU HS6 (B20B) (1969 RHD cars only)
- New carburetors:**
- 237244-45 (ER) Rebuilt carburetors, exchange (concours)
- (Rebuilt carbs are either 2-bolt or 3-bolt filter type- state which)  
Call for more detailed information about our carburetors)*
- SU-GP 18 Gasket set, for 2 carburetors
- Needles - 1961-1969:**
- 237103 (1.) Needle TZ (Paper filter, 100 bhp)
  - 237221 (1.) Needle ZH (Paper filter, 108 bhp)
  - 237248 Needle KD (Paper filter 67-68, 115 bhp)
  - 237255 Needle KF Silencing filter 67-68, 115 bhp)
  - 237353 Needle KN (B20B 1969, RHD only)  
(spring-loaded)
  - 237315 Needle DX (USA exhaust emission 1968)
  - 237186 (2a.) Jet assembly (front carb.)
  - 237187 (2b.) Jet assembly (rear carb.)
  - 237188 (3.) Rubber seal, on jet (included on jet ass'y.)
  - 237192 (4.) Needle valve and seat
- 276278+** **Service kit (for 2 carbs.) (excls. needles)**
- 237877 (4.) Needle valve (with spring attachment)  
(This is the needle valve Volvo currently offer)
  - 237094 (5.) Throttle spindle
  - 237109 (6.) Throttle flap (can be used even on B20B)
  - 237424 (7.) Flap (late B18B USA + B20B (overrun valve))
  - 71849 (8.) Screw, flap to spindle (2 per spindle)
  - 907174 (9.) Lock pin
- 276292 Throttle spindle kit, w. bushes (for 2 carbs.)
- 276278-292** **Overhaul kit for 2 carbs. (excls. needles)**  
(Contains service kit above + throttle spindle parts: please add needles of choice)

**Part#**

- 237082 (10.) Mixture adjuster nut, B18 carburettor
  - 71823 (11.) Spring
  - 237083 (12.) Lock nut
  - 237081 (13.) Washer
  - 237080 (14.) Bearing
- CVI-1341** **Jet bearing kit, B18 (nos. 10-14)**

- 237330 (10.) Mixture adjuster nut, B20 carburettor
  - 71823 (11.) Spring
  - 237083 (12.) Lock nut
  - 237329 (13.) Washer, to ch no. 316356
  - 237328 (14.) Bearing, to ch no. 316356
  - 237423 (14.) Bearing, from ch no. 316357 on
- CVI-1442** **Jet bearing kit, B20 (nos. 10-14)**

1129629 Dashpot oil (SU genuine: 125 ml bottle)

- 237144 (15.) Dashpot lid (damper)
- 190349 (16.) Gasket

- 237084 (17.) Screw, vacuum chamber lid
- 71816 (18.) Piston return spring
- 237105 (19.) Lock screw, for needle (B18)
- 237422 (19.) Lock screw, for needle (B20)

237085/71856 Adjuster screw/spring idle/choke (20/21.)

- 237113 (22.) Nut (B18)
- 237095 (23.) Lock washer
- 237110 (24.) Lever (front carb. B18)
- 237111 (24.) Lever (rear carb. B18)

237085/71856 Adjuster screw/spring idle/choke (26/27.)

- 237335 (28.) Nut (B20)
- 237095 (29.) Lock washer
- 237332 (30.) Lever (front carb. B20)
- 237333 (31.) Lever (rear carb. B20)
- 237336 (32.) Return spring, front carb. (B20)
- 237337 (33.) Return spring, rear carb. (B20)
- 237340 (34.) Screw
- 237356 (35.) Adjuster screw (idle/choke)
- 237357 (36.) Spring

Call

Call  
Call

- 237214/215 (37.) Float chamber lid/valve/float (front/rear), B18
- 237195/196 (38.) Float chamber lid/valve/float (front/rear), B20
- 237106 (39.) Gasket, under lid
- 14185 (40.) Screw, float chamber lid
- 955918 (41.) Spring washer

- 237457 (42.) Float (ref: 237216)
- 131016 (43.) Float pin
- 237131 (44.) Baffle

- 237086 (45.) Float chamber (same for both front & rear)
- 237087/88 (46.) Retainer (front/rear)

- 237098 (47.) Lever, on end of throttle spindle
- 237104 (48.) Nipple for vacuum advance pipe (early B18)

419797-80 (49.) Hose, between carbs. (80 mm) (R)

- 953236 (50.) Pin stud, on inlet manifold, B18D (8/car)
- 955826 (51.) Nut (for 953236)
- 418512 (52.) Heat shield, under carbs. (B18)
- 418754 (53.) Gasket, either side of shield '61-'70 (4/car)

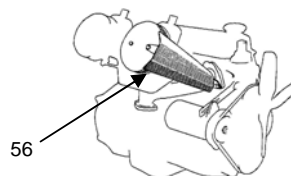
NLA

- 237178 (54.) Clamp, outer choke spiral (to 1966)
- 237168 (55.) Ferrule, for choke cable
- 419452 Clip (replaced 237168/78 from 1967)

- 418561 Retainer, choke cable to carb lever
- 950003 Screw for retainer, choke cable to carb lever
- SU 670 Tool kit, SU carbs (**mixture adjustment + needle valve removal tool**)

419251 (56.) Shield, throttle linkage, wintertime, '66

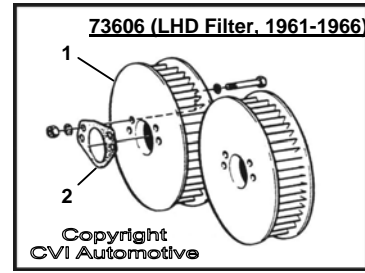
419251 Throttle linkage shield ('61-'66)



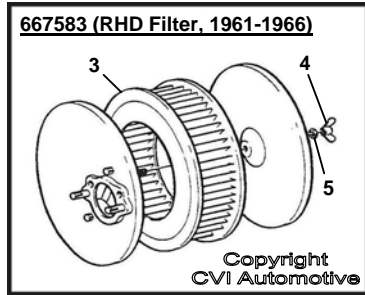
(This was a genuine Volvo accessory)

**Air Filters, SU HS6 1961-1966 (LHD Cars)**

<b>Part#</b>		
73606	(1.) Air filter (Volvo blue with decal)	(genuine)
73606-1	(1.) Air filter (polished stainless)	(R)
FK-73606	Fitting kit, for 2 filters (excludes gaskets)	
418447	(2.) Gasket	
1006	Decal/sticker (AC type) for filter 73606	



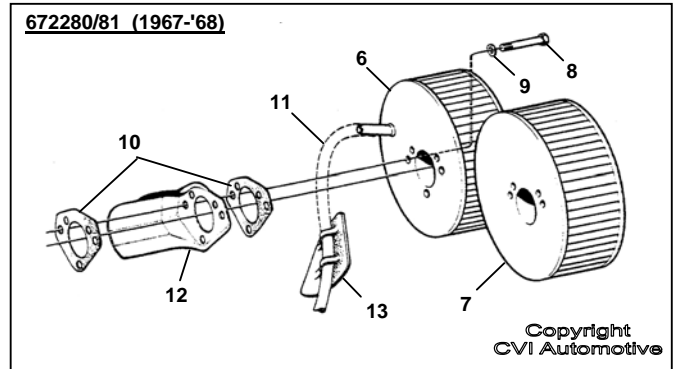
**Air Filters, SU HS6 1961-1966 (RHD Cars)**



667583	(3.) Filter Insert (RHD filters), 1961-1966
192015	(4.) Butterfly nut for outer cover
955920	(5.) Spring washer
418447	Gasket between filter housing & carburettor
1007	Decal/sticker (Coopers) for RHD filters

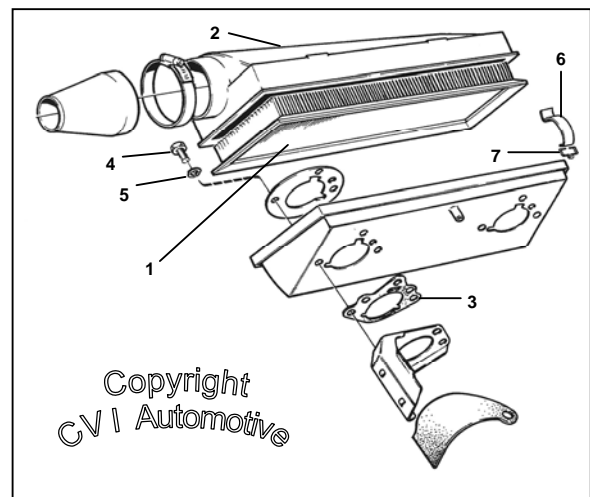
**Air Filters, SU HS6 1967-1968 (non-silencing, no pre-heating)**

<b>Part#</b>		
672280	(6.) Air filter, front (genuine, Volvo blue, no decal)	
672281	(7.) Air filter, rear (genuine, Volvo blue, no decal)	
1010	Decal/sticker (AC type), for filters 672280/81	
955530	(8.) Bolt, for fitting of filter	
941907	(9.) Spring washer	
677607	(10.) Gasket	
460003	(11.) Hose	
419579	(12.) Backing plate	NLA
419692	(13.) Rubber mask	NLA



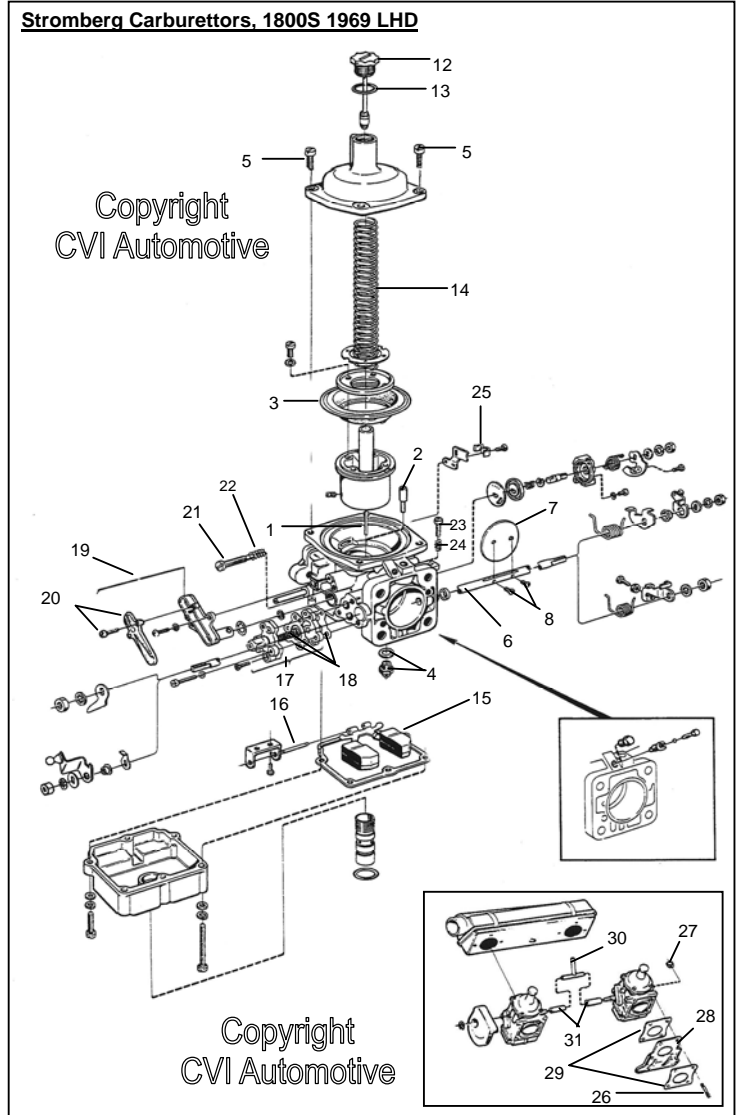
**Air Filters, SU HS6 1969 (RHD)**

<b>Part#</b>		
679658	(1.) Air filter element, B20B	(R)
680743	(2.) Filter housing, upper part	
677607	(3.) Gasket	(front)
419590	(3.) Gasket	(rear)
955524	(4.) Bolt	(6/car)
941907	(5.) Spring washer	(6/car)
679623	(6.) Clamp	(4/car)
673792	(7.) Brace	(4/car)

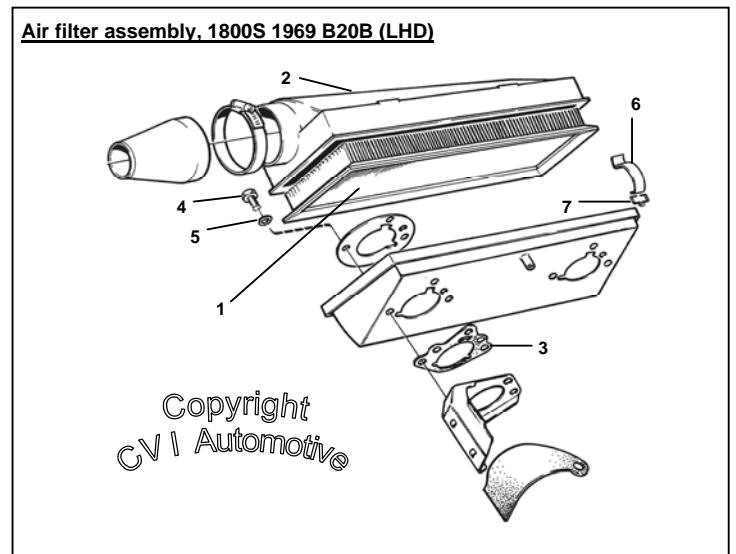




<b>Part#</b>		
237348/49	Stromberg 175 CD, front/rear (LHD)	NLA
237350	(1.) Needle	
237437/38	Stromberg 175 CD (replaced 237348/49)	NLA
237442	(1.) Needle	
276295	Gasket & lock washer kit	271474
237572	(2.) Jet	
237666	(3.) Diaphragm, genuine (hydrin based)	
237385-1	(3.) Diaphragm, repro (nitrile based)	
237567	(4.) Needle valve (with filter)	
820352	(5.) Screw & lock washer, vacuum chamber lid	
<b>276295-2</b>	<b>Service kit, 2 carbs. (excludes needles)</b>	
237359-60	(6.) Throttle spindle (front/rear)	
237272	(7.) Throttle disc	
71693	(8.) Screw, disc to spindle	
CVI-001	Bushes, for throttle spindle in carb. body	in kit
<b>276300</b>	<b>Throttle spindle kit (for both carbs.)</b>	<b>Call</b>
<b>276295-300 Overhaul kit (both carbs, needles excl.)</b>		
237473	(12.) Dashpot lid (damper)	
237427	(13.) Gasket	
237358	(14.) Piston return spring	
237292	(15.) Float	
237293	(16.) Float pin	
237374	(17.) Bypass valve, complete	
276309	(18.) Bypass valve diaphragm kit	
237474	(19.) Temperature compensator	
237573-74	(20.) Lid (with screws), for temp. compensator	
237380	(21.) Adjuster screw, by temp. compensator	
237381	(22.) Spring, for adjuster screw	
237286	(23.) Throttle stop screw	
237469	(24.) Spring, for throttle stop screw	
237284	(25.) Clamp for (outer) choke cable	
953237	(26.) Pin stud, under carburettor	
955826	(27.) Nut	
419744	(28.) Heat shield	(2/car)
418754	(29.) Gasket	(4/car)
943508	(30.) T-junction	
419797	(31.) Fuel hose (55 mm x 2)	(R)

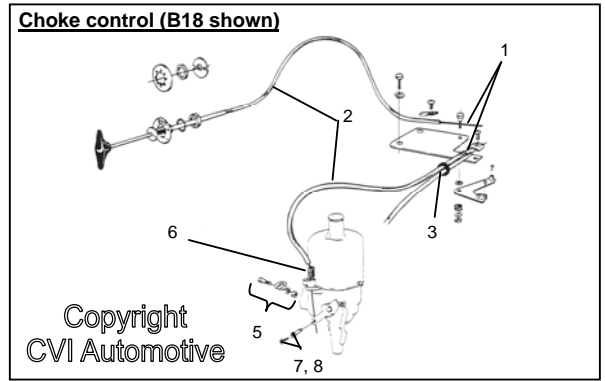


<b>Part#</b>		
679658	(1.) Air filter element, B20B	(R)
680743	(2.) Filter housing, upper part	
680642	(3.) Gasket	
955523	(4.) Bolt	(6/car)
941907	(5.) Spring washer	(6/car)
679623	(6.) Clamp	(4/car)
673792	(7.) Brace	(4/car)



**CHOKE CONTROL**

- Part#**  
 55192 (1.) Inner choke cable  
 88783 (2.) Outer spiral  
 664425 (3.) Rubber grommet, LHD (holds cables together)  
 237178 (5.) Clamp, outer choke spiral (to 1966)  
 237168 (6.) Ferrule, for choke cable  
 419452 Clamp (replaces 237168/78) ('67-'69)  
 418561 Retainer, choke cable to carb lever  
 950003 Screw for retainer, choke cable to carb lever

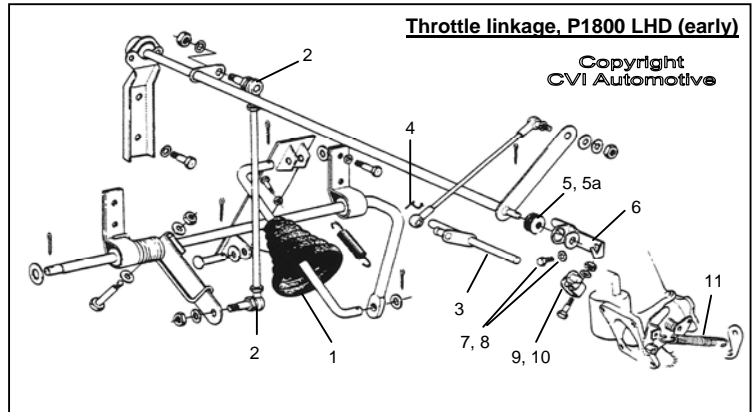


**LHD up to ch. no 9999:**

- Part#**  
 653218 (1.) Rubber dust excluder  
 665563 (2.) Ball joint, with ball and nut  
 418449 (3.) Intermediate shaft, ch. no. 1-16499  
 959093 (4.) Lock brace for ball-joint  
 663304 (5.) Bush (until ch. no. -482)  
 666143 (5a.) Bush (from ch. no. 483-)  
 418506 (6.) Anchorage  
 955512 (7.) Screw (2/car)  
 940155 (8.) Washer  
 668558 (9.) Lever (front) (R)  
 668559 (10.) Lever (rear) (R)  
 418963 (11.) Return spring (2/car) (genuine)

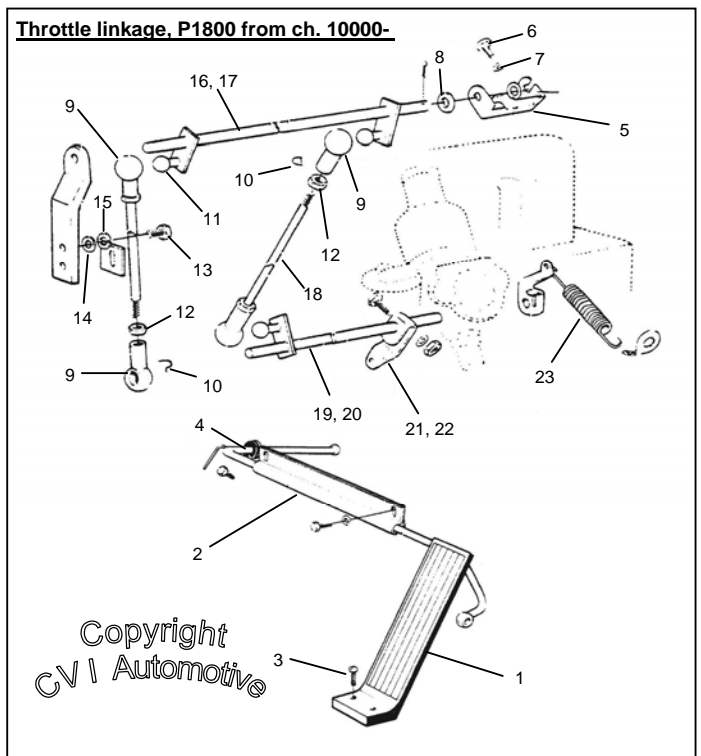
Call

NLA



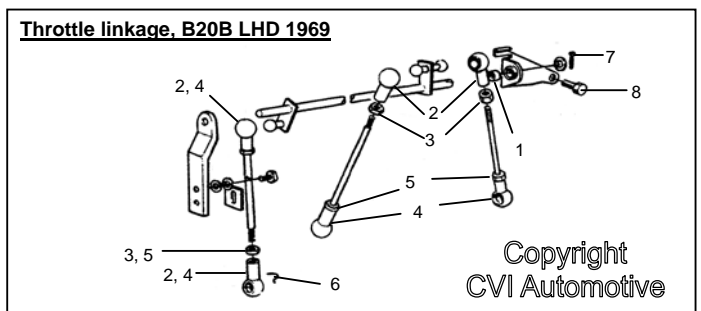
**LHD (not B20B), (from ch # 10000-), all RHD (not B20):**

- Part#**  
 661996 (1.) Accelerator pedal (R)  
 955140 (2.) Shaft NLA  
 663052 (3.) Screw Call  
 418506 (4.) Rubber grommet  
 955512 (5.) Anchorage (earlier type) NLA  
 940155 (6.) Screw (2/car)  
 940155 (7.) Washer  
 666143 (8.) Bush  
 959088 (9.) Ball-joint, with ball/brace (4/car)  
 959093 (10.) Brace  
 959094 (11.) Ball, on shaft (with fixing nut) See 959088  
 955780 (12.) Nut  
 955637 (13.) Screw  
 955893 (14.) Washer  
 955920 (15.) Spring washer  
 662006 (16.) Main shaft, ch. 10000 - 16499 NLA  
 671950 (17.) Main shaft, ch. 16500 - until end B18 NLA  
 191203 (18.) Control rod  
 418449 (19.) Intermediate shaft, ch 1-16499  
 419575 (20.) Intermediate shaft, ch 16500- NLA  
 668558 (21.) Lever (front) (R)  
 668559 (22.) Lever (rear) (R)  
 418963 (23.) Return spring (B18 + B20B RHD) (2/car)

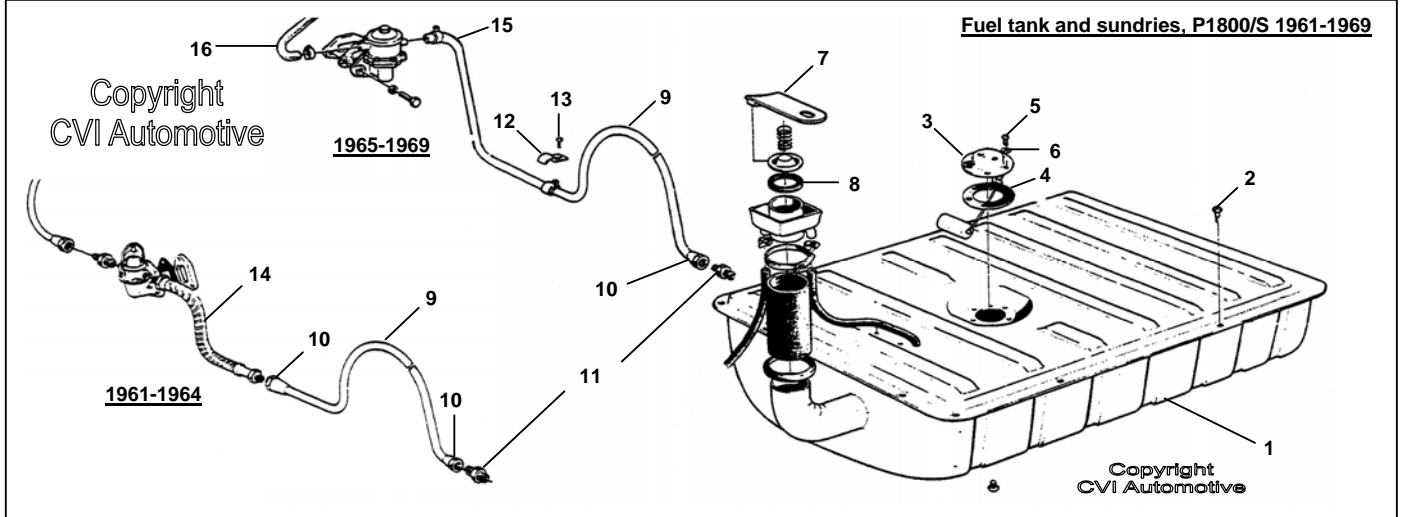


**LHD (B20B):**

- Part#**  
 666143 (1.) Bush  
 959088 (2.) Ball-joint, with ball/brace (rh thread)  
 955780 (3.) Nut (rh thread)  
 942837 (4.) Ball-joint, with ball/brace (lh thread)  
 942836 (5.) Nut (lh thread)  
 959093 (6.) Lock brace  
 907824 (7.) Split pin  
 950045 (8.) Screw

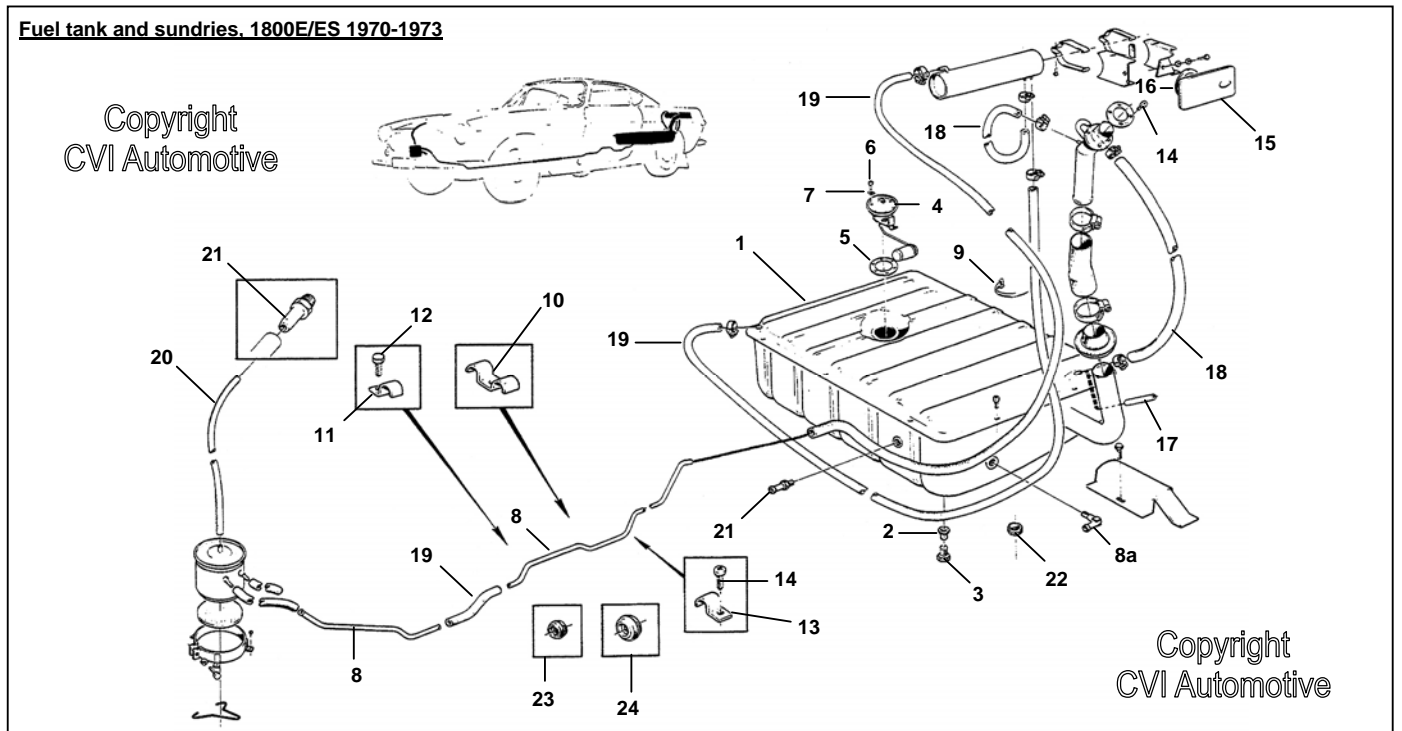


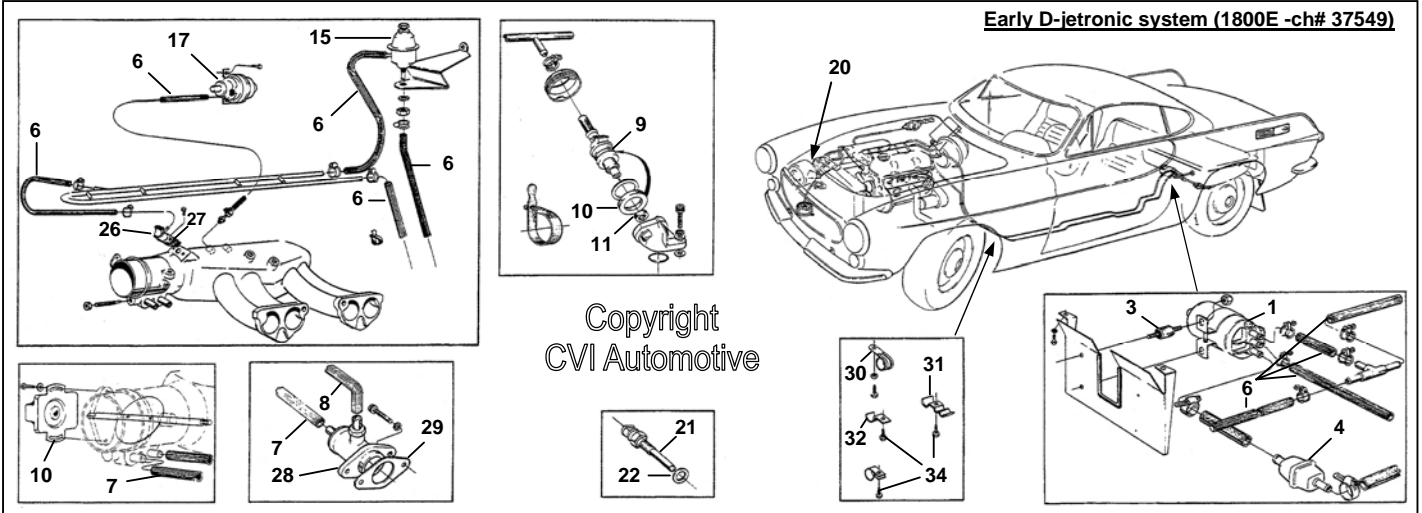
<u>Part#</u>			<u>Part#</u>	
683393	(1.) Fuel tank (all models)		954305	(9.) Fuel pipe under car (bundy pipe)
958236	(2.) Screw for tank fitting to body		954322	(10.) Union (cap) nut for metal fuel pipe
673496	(3.) Tank sender unit	(1961-1969)	954336	(11.) Screw union, fuel pipe to fuel tank
665160	(4.) Seal for sender unit		951189	(12.) Clamp
950010	(5.) Screw for sender unit	(6 per car)	190665	(13.) Screw
192026	(6.) Copper seal, under screw		64757	(14.) Fuel hose, pipe-pump ('61-'64)
664287	(7.) Filler cap, with hinge	(R) Call	419796	(15.) Fuel hose, in front of pump ('65-'69)
665118	(8.) Rubber seal under filler cap		419797	(16.) Fuel hose, pump to carb. ('65-'69)



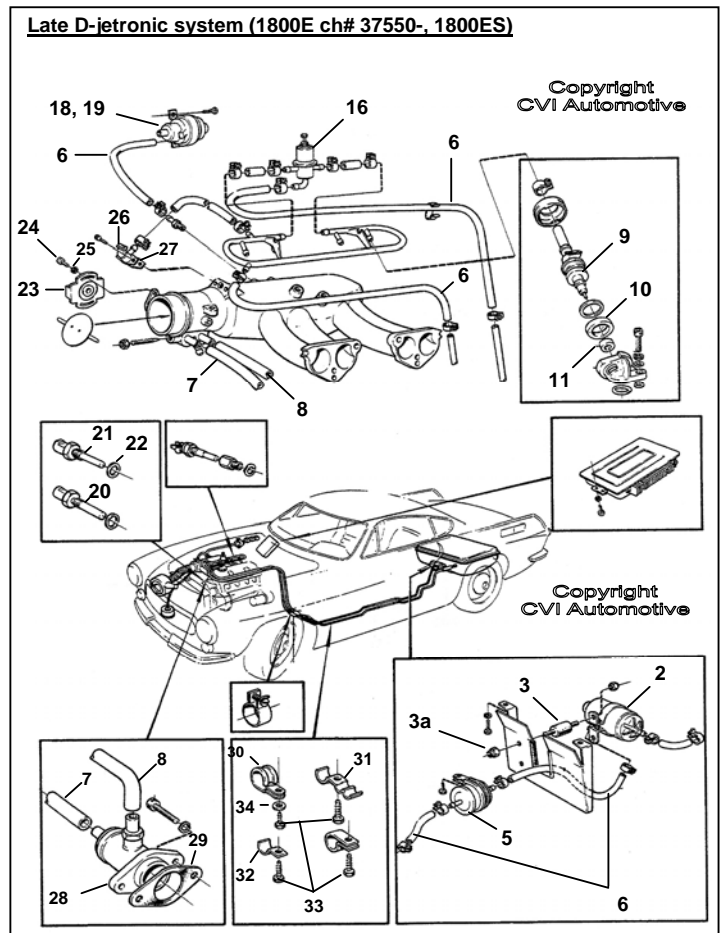
FUEL TANK, SENDER UNIT & SUNDRIES, VOLVO 1800E/ES

<u>Part#</u>			<u>Part#</u>	
683393	(1.) Fuel tank (all models)		951190	(13.) Clamp
688593	(2.) Saran filter		955137	(14.) Screw
685625	(3.) Plug		683936	(15.) Filler cap (complete with inner cap)
682149	(4.) Fuel tank sender unit	(1970-1973)	683564	(16.) Rubber seal
665160	(5.) Gasket for sender unit		942754	(17.) Plastic hose (1800E -ch# 34313)
950010	(6.) Screw for sender unit	(6/car)	941680	(18.) Rubber hose
192026	(7.) Copper seal, under screw		192034	(19.) Rubber hose (R)
954314	(8.) Fuel pipe (metal)	Call	419796	(20.) Fuel hose
945438	(8a.) Elbow union		944560	(21.) Nipple
946405	(9.) Plastic tie		941269	(22.) Protector plug (R)
121572	(10.) Clamp		941264	(23.) Protector bushing (R)
951188	(11.) Clamp		941265	(24.) Protector bushing (R)
190665	(12.) Screw			





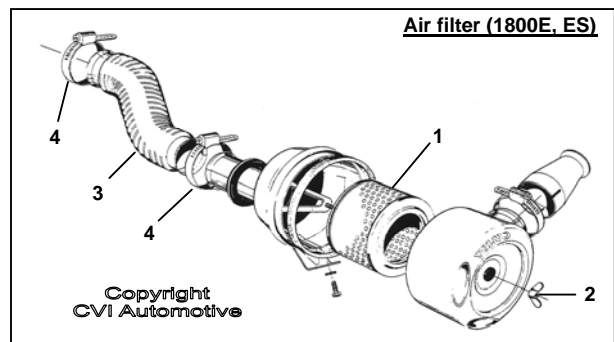
<b>Part#</b>			
241723	(1.) Fuel pump, 1800E to ch 37549	(1970-71)	
460900	(2.) Fuel pump E ch 37550 -, all ES	(1972-73)	
685355	(3.) Fuel pump rubber mounting		
241724	(4.) Fuel filter	(1970-71)	
243214	(5.) Fuel filter (R)	(1972-73)	
419796	(6.) Fuel hose		
942390	(7.) Hose (by the meter)		
460003	(8.) Hose (shaped)		
461674	(9.) Injector (repls. 241720 & 462645)		
419784	(10.) Seal (large) under injector		
419785	(11.) Seal (small) under injector		
960218	(14.) O-ring		
241721	(15.) Pressure regulator	(1970-71)	
243129	(16.) Pressure regulator	(1972-73)	
241725	(17.) Pressure sensor, B20E	(1970-71)	NLA
243183	(18.) Pressure sensor, B20E	(1972-73)	
243316	(19.) Pressure sensor, B20F	(1972-73)	
241810	(20.) Temperature sender		
241726	(21.) Temperature sender		
957173	(22.) Washer		
461560	(23.) Throttle valve switch (replaces 243366)		NLA
950003	(24.) Screw		
940120	(25.) Washer		
241811	(26.) Cold start valve		
419831	(27.) Seal		
241853	(28.) Auxiliary air slide		NLA
419894	(29.) Gasket for 241853		Call
952624	(30.) Clamp		
677980	(31.) Clamp		



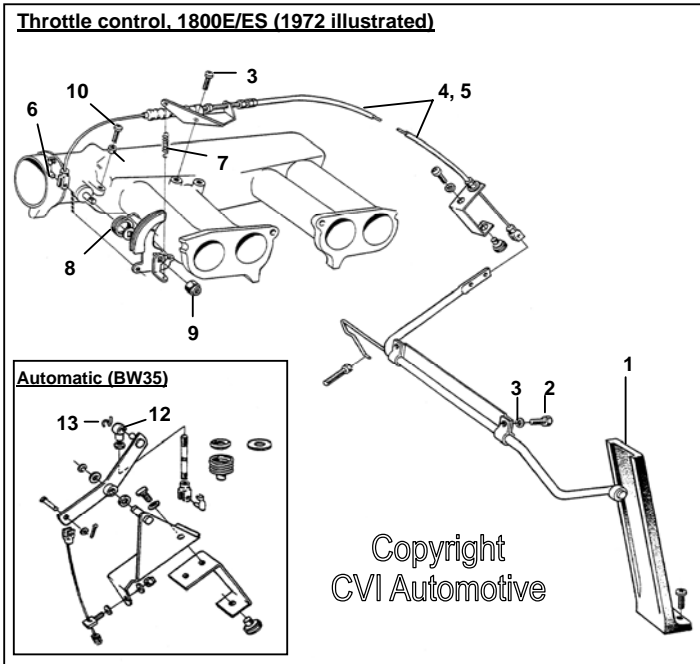
<b>Part#</b>	
951189	(32.) Clamp
190665	(33.) Screw
940090	(34.) Washer

**Air filter, Fuel Injection system**

<b>Part#</b>			
683472	(1.) Air filter element	(genuine)	
192354	(2.) Wing nut		Call
682043	(3.) Hose		NLA
951797	(4.) Hose clamp		

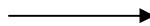


**Throttle Control for Fuel injected cars**



<u>Part#</u>			
661996	(1.) Accelerator pedal		(R)
955512	(2.) Screw		
941906	(3.) Curved washer		
682126	(4.) Cable	(1800E (all), 1800ES 1972)	
1212152	(5.) Cable	(1800ES 1973)	Use 682126
677218	(6.) Clip		
418963	(7.) Spring		
460560	(8.) Return spring		
955044	(9.) Screw		NLA
950023	(10.) Screw		
959088	(12.) Ball-joint, with ball/brace (rh thread)		
959093	(13.) Lock brace		
1212151	Spring	} For 1973 cable	
1212148	Spring retainer		
1212149	Pull rod		

Fuel injection wiring harnesses

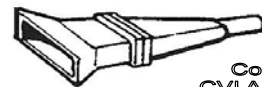


See page 22

**Rubber Protectors on Injection Harness (NB. with Volvo logo):**

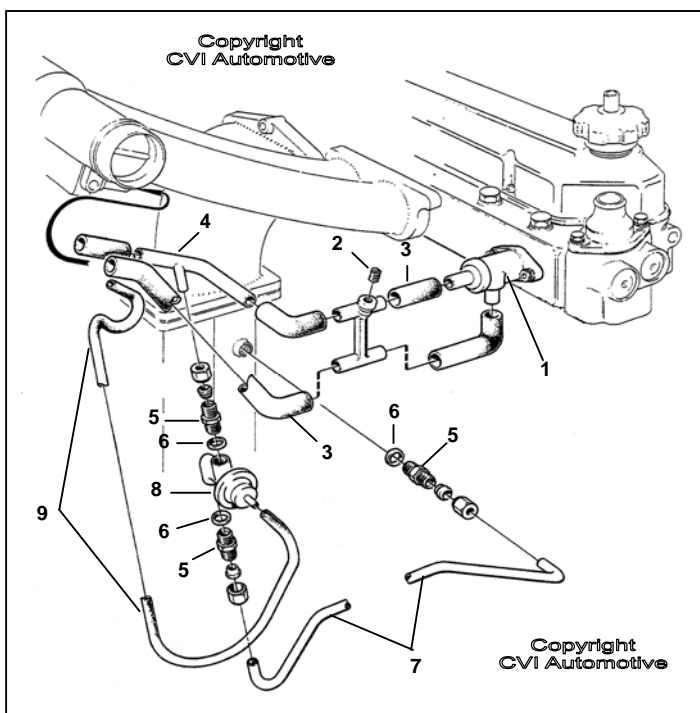
<u>Part#</u>	
943693*	Rubber protector, inj. harness, 2 pin
945783*	Rubber protector, 3 pin (NB. 3 pin is biggest)
943695*	Rubber protector, 4 pin
<b>943690-1*</b>	<b>*Set of rubber protectors (7 x 2-pin, 2 x 4-pin, 1 x 3-pin)</b>

Protector (injection harness, with Volvo logo)  
(2 pin, 3 pin or 4 pin)



Copyright  
CVI Automotive

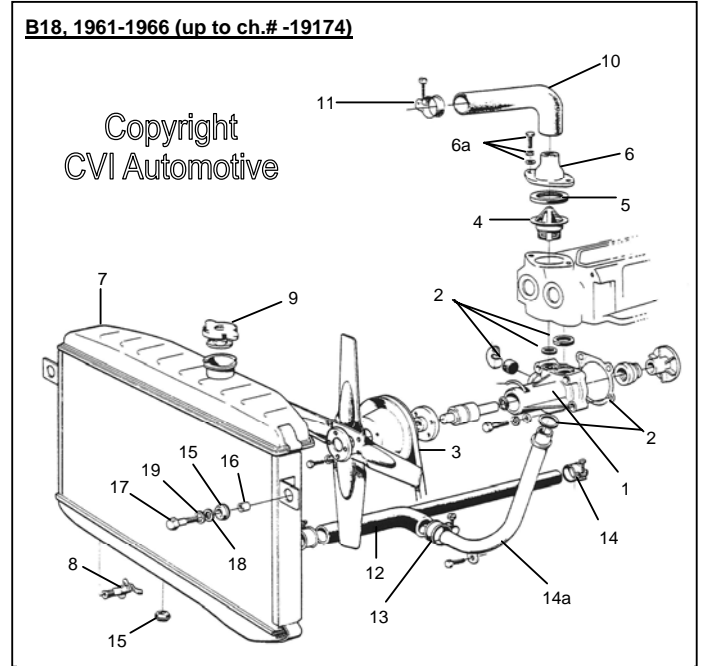
**Exhaust recirculation system**



<u>Part#</u>		
241853	(1.) Auxiliary air slide	NLA
237568	(2.) Plug	
942390	(3.) Hose	
460996	(4.) Pipe	
941754	(5.) Nipple	
18671	(6.) Gasket	
460994	(7.) Pipe	
460817	(8.) EGR valve	
192055	(9.) Hose	

**Cooling System, 1961-1966 (Ch#-19174):**

- Part#**  
 271602 (1.) Water pump kit (R)  
 275540 (2.) Gasket set (B18/B20B/B20E) (genuine)  
 976411 (3.) Fan belt (R) (B18 LHD/RHD, (B20 LHD))  
 419419 (3.) Fan belt (R) (B20 RHD only)  
 418496 (4.) Thermostat (77 degrees) (R)  
 273342 (4.) Thermostat kit, with seal (82 deg. Wahler)  
 418361 (5.) Rubber seal for thermostat  
 418325 (6.) Aluminium housing, for thermostat (-1966)  
 FK-004 (6a.) Fitting kit for aluminium housing  
 252086 (7.) Radiator (NB. Now like 122/544 type)  
 1013 Decal (sticker) for radiator '61-'66  
 87502 (8.) Drain cock  
 87842 (9.) Radiator cap, -1966 (to ch.# 19174)  
 657876 (10.) Radiator hose, upper  
 952659 (11.) Hose clamp, upper, to ch. no. 19174  
 662072 (12.) Radiator hose, lower (cars with oil cooler)  
 663031 Radiator hose, lower (cars without oil cooler)  
 952659 (13.) Hose clamp, lower, to ch. no. 19174  
 951789 (14.) Hose clamp, inner lower, to ch. 19174  
 418334 (14a.) Water inlet pipe



**B18, 1961-1966 (up to ch.# -19174)**

Copyright  
CVI Automotive

**Cooling System, 1967-1973:**

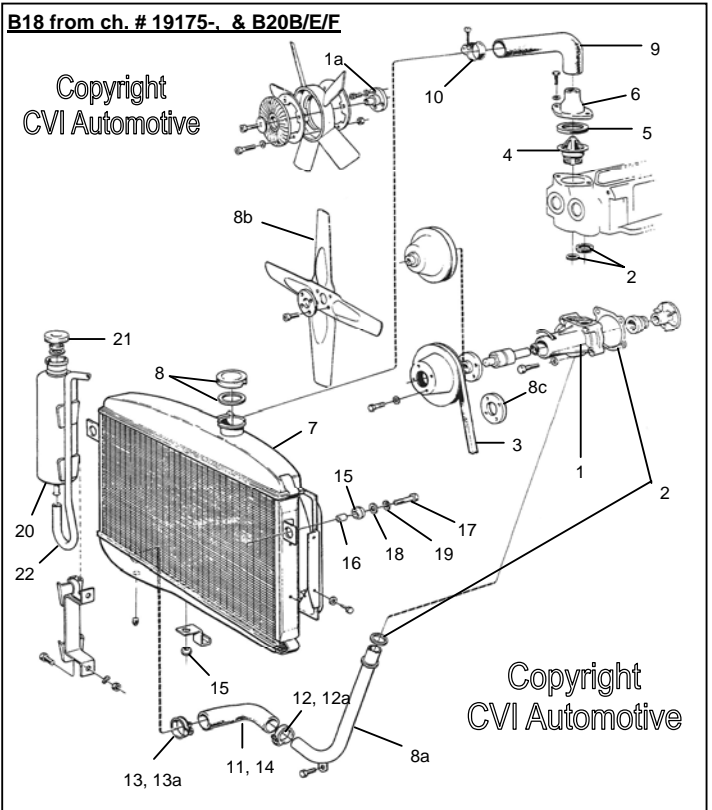
- Part#**  
 271602 (1.) Water pump kit (R)  
 460531-1 (1a.) Clutch flange, for B20 waterpumps (R)  
 275540 (2.) Gasket set (B18/B20B/B20E)  
 976411 (3.) Fan belt, all B18 but B20 LHD only  
 419419 (3.) Fan belt (RHD cars, B20)  
 418496 (4.) Thermostat (77 degrees)  
 273342 (4.) Thermostat kit, with seal (82 deg. Wahler)  
 418361 (5.) Rubber seal for thermostat  
 419333 (6.) Aluminium housing (1967-1973)  
 FK-004 Fitting kit for aluminium housing  
 252111 (8.) Radiator (1967-1973)  
 461646 (9.) Radiator cap (includes sticker (decal))  
 1018 Decal/sticker for radiator cap  
 460438 (8a.) Water inlet pipe (B20F only - USA)  
 672703 (8b.) Fan (alt. 2, early production)  
 672740 (8c.) Washer (for use with fan 672703)

**Radiator hoses and radiator hose kits:**

- Part#**  
 676556 (9.) Radiator hose, upper (B18 ch. 19175-, B20B)  
 952663 (10.) Hose clamp for 676556 (2/hose)  
 671840 (11.) Radiator hose, lower (B18, ch.19175-)  
 952659 (12.) Hose clamp, for 671840  
 952663 (13.) Hose clamp, for 671840  
 673196 (14.) Radiator hose, lower (B20B 1969)  
 951791/92 Hose clamps for 673196 (12a+13a)  
 273193 Radiator hose kit, upper (B20E/B20F, '70-'73)  
 273194 Radiator hose kit, lower (B20E/B20F, '70-'73)

**Radiator fitting parts (both types):**

- Part#**  
 673989 (15.) Rubber bush (3/radiator)  
 663497 (16.) Sleeve, from ch.# 19175 (2/radiator)  
 955675 (17.) Fixing bolt, up to 1969 (2/radiator)  
 940115 (17.) Fixing bolt, (B20E/F) (2/radiator)  
 960148 (18.) Washer (2/radiator)  
 955950 (19.) Lock washer (2/radiator)



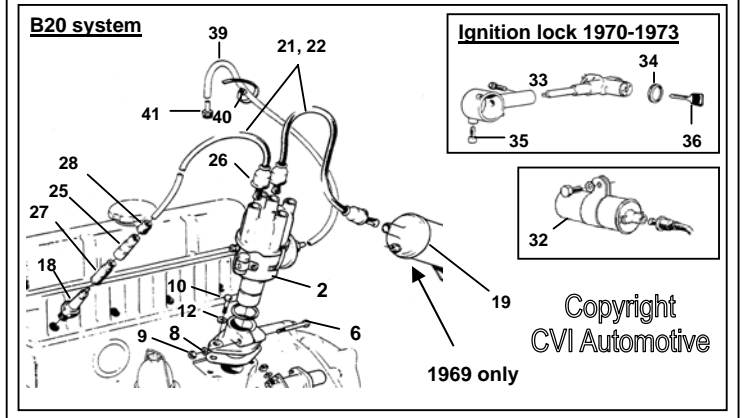
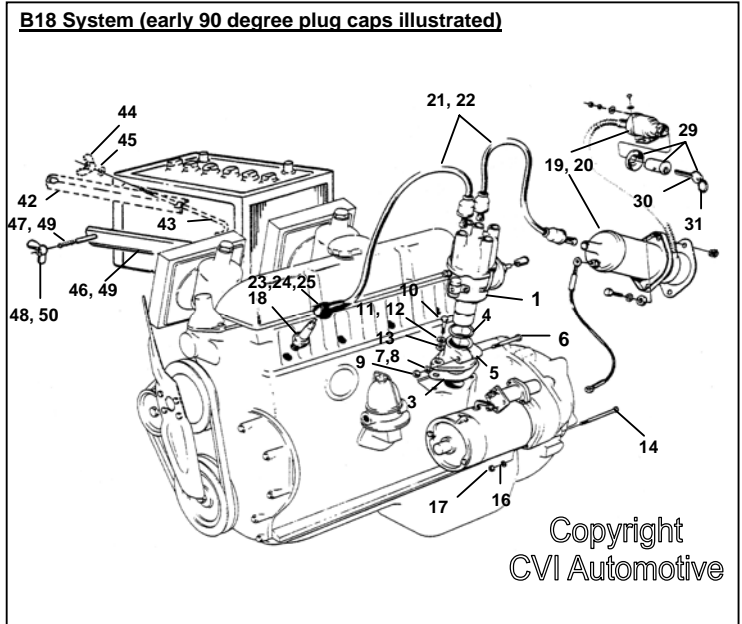
**B18 from ch. # 19175- & B20B/E/F**

Copyright  
CVI Automotive

Copyright  
CVI Automotive

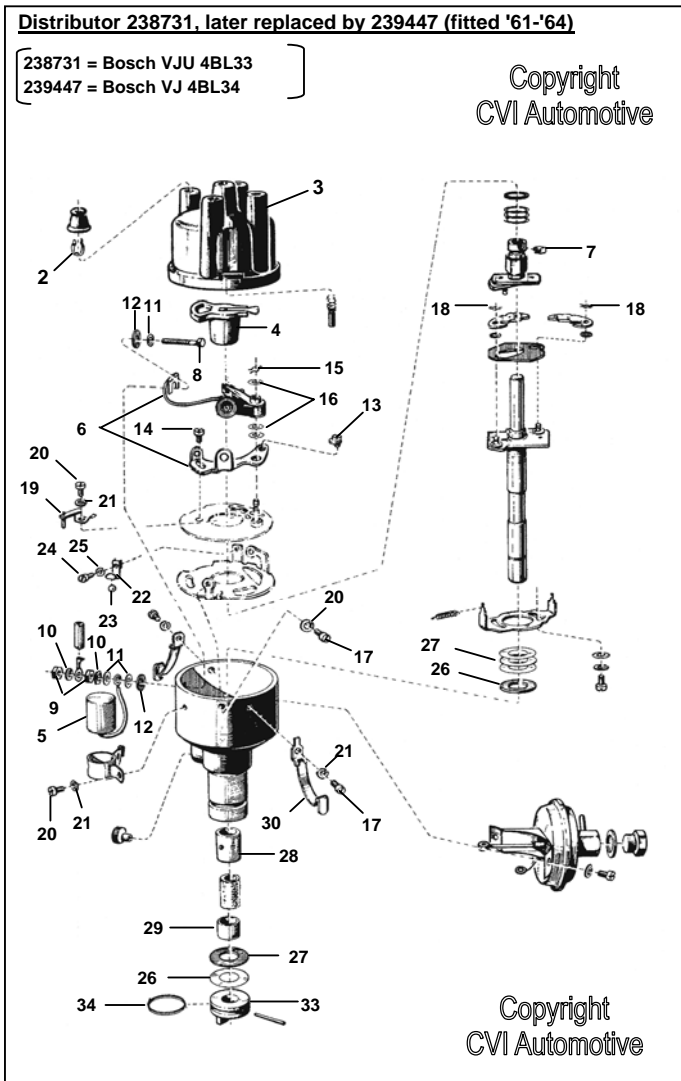
- 676558 (20.) Expansion tank (B18 - long neck) Use 686833 + 673233  
 673336 (21.) Cap (B18, long neck) (Round with decal)  
 686833 (20.) Expansion tank (B20) (short neck)  
 673233 (21.) Cap (B20, short neck) (Round with decal)  
 942700 (22.) Hose, expansion tank to radiator  
 1019 Decal/sticker, for expansion tank cap

<b>Part#</b>			
238731 239447	}	(1.)	Distributor, used up to 1963 1/2 - See details below
239935 240208		(1.)	Distributor, used from 63 1/2 - See details below
241298		(1.)	Distributor, late B18B (exhaust emission control)
241530		(2.)	Distributor B20B 1969 only See details below
241719 243184 243314	}	(2.)	Distributor B20E/F - replaced by 243314 - see later
		(2.)	Distributor, B20E/F, later type
418265		(3.)	Gasket, under distributor
925060		(4.)	Sealing ring, on shaft
418276		(5.)	Flange <span style="float:right">NLA</span>
955515		(6.)	Bolt
955893		(7.)	Washer
941906		(8.)	Resilient washer
955825		(9.)	Nut
955524		(10.)	Bolt
955921		(11.)	Spring washer <span style="float:right">early type</span>
941907		(12.)	Curved washer <span style="float:right">late type</span>
955894		(13.)	Washer <span style="float:right">early type</span>
940184		(14.)	Bolt
940144		(15.)	Washer <span style="float:right">early type</span>
941909		(16.)	Curved washer <span style="float:right">late type</span>
940157		(17.)	Nut <span style="float:right">Call</span>
271411-1		(18.)	Spark plug set, B18B, B20B, B20E/F
238641		(19.)	Ignition coil, B18 + B20 1969 (LHD only)
239451		(20.)	Ignition coil, B18 (RHD only)
1009			Decal (sticker), B18 ignition coil (yellow) <span style="float:right">NLA</span>
275660		(21.)	Ignition lead set (fits B18 & B20 LHD) (supplied with straight connectors)
275662		(22.)	Ignition lead set (fits B18 & B20 RHD) (supplied with straight connectors)
241850 Brn		(23.)	Plug cap (angled 90 degrees), brown
241850 Sv		(24.)	Plug cap (angled 90 degrees), black
241605		(25.)	Plug cap (resistor), straight (239240)
241608		(26.)	Rubber cover, ignition cables (B20) <span style="float:right">Call</span>
241607		(27.)	Rubber cover (black) at plug end (B20 type)
241606		(28.)	Rubber cover (red) at plug end (B20 type)
673261		(29.)	Ignition lock barrel, with 2 keys ("Neiman") <span style="float:right">Call</span>
673339		(30.)	Key blank, B18 (for "Neiman" ignition locks) (Note: no longer supplied with black plastic cover)
660140		(30.)	Key blank for "Assa/Volvo" locks ( <u>genuine</u> ) <span style="float:right">Call</span>
660140-1		(30.)	Key blank for Assa locks <span style="float:right">Call</span>
88495		(31.)	Key ring



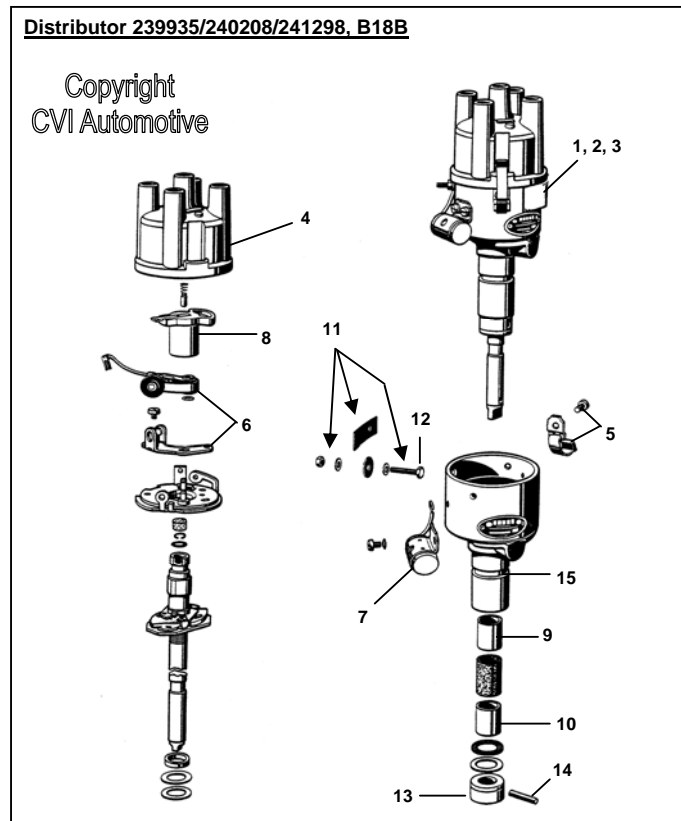
<b>Part#</b>											
664470	}	(42.)	Tensioner arm	} to ch. no. 7999	}	(49.)	Tensioner arm	(RHD from 1969)	NLA		
664471		(43.)	Tensioner bolt			NLA	662270	(49.)	Tensioner bolts (1 of each)	(RHD from 1969)	NLA
192015		(44.)	Butterfly nut				669339/662296				
955893		(45.)	Washer				955825	(50.)	Nut	(RHD from 1969)	
669338	}	(46.)	Tensioner arm	} ch. 8000 to 1968 RHD, to end production LHD	}						
669339		(47.)	Tensioner bolt			NLA					
956903		(48.)	Wing nut			NLA					

**Battery clamps:**



- |               |       |  |                      |
|---------------|-------|--|----------------------|
| 238731 (ER)   | }     | Distributor, B18B to 1964 (rebuilt <u>exchange</u> ) | Call                 |
| 239447 (ER)   |       |  |                      |
| 954514        | (2.)  | Cable sleeve   | (Bosch genuine)      |
| 870690        | (3.)  | Distributor cap                                      | (Bosch genuine)      |
| 76977         | (4.)  | Rotor arm  |                      |
| 241397        | (5.)  | Condenser  |                      |
| 238859        | (6.)  | Contact breaker points                               | (distributor 238731) |
| 240149        | (6.)  | Contact breaker points                               | (distributor 239447) |
| 48401         | (7.)  | Lubricating felt under rotor arm                     | See 239417           |
| 955229        | (8.)  | Screw, through housing                               |                      |
| 955779        | (9.)  | Nut, on outside                                      | (2 per distributor)  |
| 955917        | (10.) | Spring washer  |                      |
| 25195         | (11.) | Plain washer   | See 239417           |
| 25716         | (12.) | Insulating washer                                    | See 239417           |
| 25936         | (13.) | Adjuster screw (eccentric)                           | See 239417           |
| 77543         | (14.) | Lock screw, points adjustment                        | See 239417           |
| 77683         | (15.) | Spring clip, for points                              | See 239417           |
| 48331/32      | (16.) | Adjuster shims for points                            | See 239417           |
| 956059        | (17.) | Screw for cap locking clip                           |                      |
| 76928         | (18.) | Spring clip  | See 239417           |
| 233306        | (19.) | Holding bracket with pin for vacuum adv.             | See 239417           |
| 956058        | (20.) | Screw, holding bracket + condenser brack.            |                      |
| 955917        | (21.) | Spring washer  |                      |
| 77668         | (22.) | Retainer spring                                      | See 239417           |
| 77692         | (23.) | Ball   | See 239417           |
| 956042        | (24.) | Screw for retainer spring                            | See 239417           |
| 955915        | (25.) | Spring washer  | See 239417           |
| 25929         | (26.) | Fiber washer   | See 239417           |
| 25930         | (27.) | Adjuster washer (0.1 thickness)                      | See 239417           |
| 239337        | (27.) | Adjuster washer (0.3 thickness)                      | See 239417           |
| 233262        | (28.) | Bush (upper)   |                      |
| 238850        | (29.) | Bush (lower)   |                      |
| 233729        | (30.) | Spring retainer for distributor cap                  | See 239417           |
| 418265        | (31.) | Gasket, under distributor                            |                      |
| 925060        | (32.) | Sealing ring, on shaft                               |                      |
| <b>239417</b> |       | <b>Repair kit (includes # 7-32 above)</b>            |                      |
| 233836        | (33.) | Coupling   |                      |
| 233838        | (34.) | Spring retainer                                      |                      |
| 976733        |       | Hose for vacuum advance                              |                      |

**DISTRIBUTORS FOR B18, 1965-1968**

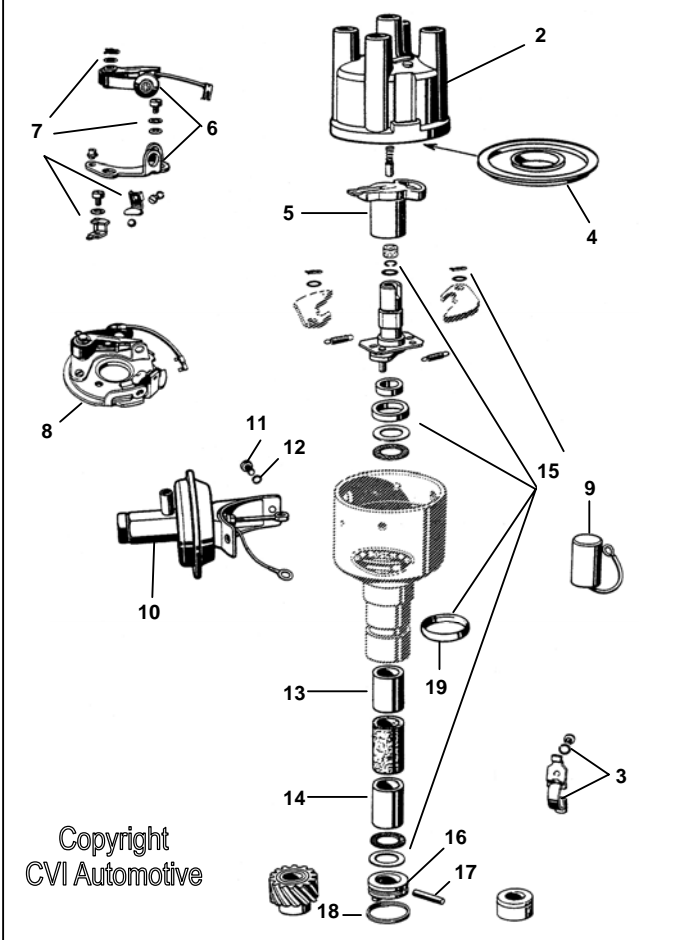


- |  |       |  |      |
|--|-------|--|------|
| 239935 (ER)  | (1.)  | Distributor, B18B  | Call |
| 240208 (ER)  | (2.)  | Distributor, B18B, ch # 10000-                                   | Call |
| 241298 (ER)  | (3.)  | Distributor, late B18B (late 1968 with exhaust emission control) | Call |
| <b>(Note: the above distributors are professionally rebuilt and are offered on an <u>exchange</u> basis only.)</b> |       |  |      |
| 870690   | (4.)  | Distributor cap (Bosch genuine)                                  |      |
| 241659   | (5.)  | Distributor cap clip set   |      |
| 240149   | (6.)  | Contact breaker points, B18B '65-'68                             |      |
| 241397   | (7.)  | Condenser  |      |
| 243903   | (8.)  | Rotor arm  |      |
| 233262   | (9.)  | Bush (upper)   |      |
| 238850   | (10.) | Bush (lower)   |      |
| 240588   | (11.) | Screw/insulator set, for points & condenser                      |      |
| 955229   | (12.) | Screw, through housing (incl. in 240588)                         |      |
| 240586   |       | Small parts set for distributor shaft                            |      |
| 240591   |       | Small parts set for contact breaker plate                        |      |
| 233836   | (13.) | Drive coupling, at distributor base                              |      |
| 233837   | (14.) | Lock pin for coupling  | Call |
| 233838   |       | Spring retainer for pin  |      |
| 418265   |       | Gasket, under distributor  |      |
| 925060   | (15.) | Sealing ring, on shaft   |      |



**B20B**

**Distributor B20B (1969 only - Volvo 241530)**

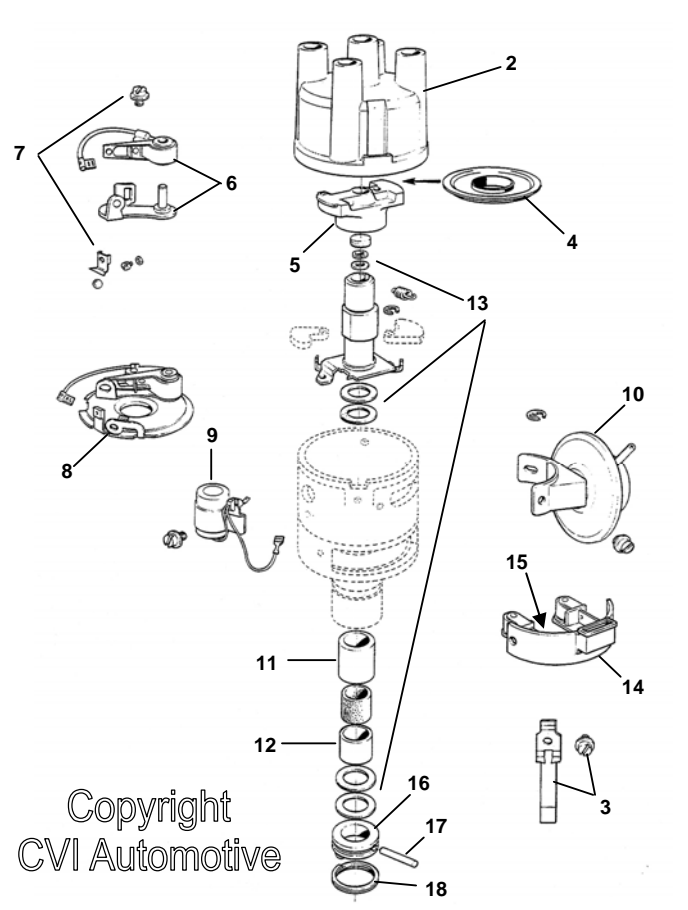


Copyright  
CVI Automotive

- 241530 (ER) (1.) Distributor, B20B (exchange overhauled) Call
- 870690 (2.) Distributor cap (Bosch genuine)
- 241659 (3.) Distributor cap clip set
- 243761 (4.) Condensate trap
- 243903 (5.) Rotor arm
- 1306169 (6.) Contact breaker points, B20B
- 241658 (7.) Small parts set for contact breaker plate
- 241663 (8.) Breaker plate (includes 6 + 7 above)
- 241650 (9.) Condenser
- 241665 (10.) Vacuum advance mechanism, B20B
- 956958 (11.) Screw
- 239340 (12.) Spring washer Call
- 233262 (13.) Bush (upper)
- 238850 (14.) Bush (lower)
- 241671 (15.) Small parts set for distributor shaft
- 233836 (16.) Drive coupling, at distributor base
- 233837 (17.) Lock pin for coupling
- 233838 (18.) Spring retainer for pin Call
- 418265 Gasket, under distributor
- 925060 (19.) Sealing ring, on shaft

**B20E/F**

**Distributor B20E/F (Volvo 241719/243184/243314)**

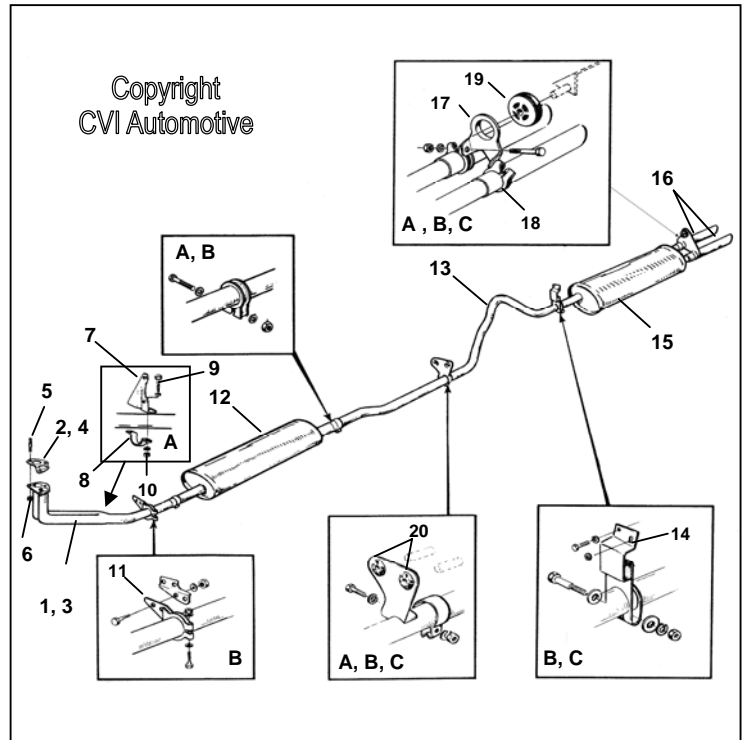


Copyright  
CVI Automotive

- 243314 (1.) Distributor, B20E/F (new)
- 870690 (2.) Distributor cap (Bosch genuine)
- 241659 (3.) Distributor cap clip set
- 243761 (4.) Condensate trap (NB: for distributor 241719)
- 243903 (5.) Rotor arm
- 1306169 (6.) Contact breaker points, B20E
- 241658 (7.) Small parts set for contact breaker plate
- 241663 (8.) Breaker plate (includes 6 + 7 above)
- 243013 (9.) Condenser
- 243276 (10.) Vacuum advance mechanism, 243314
- 243012 (11.) Bush (upper) NLA
- 238850 (12.) Bush (lower)
- 241671 (13.) Small parts set for distributor shaft
- 243022 (14.) Breaker point kit
- 243023 (15.) Gasket
- 233836 (16.) Drive coupling, at distributor base
- 233837 (17.) Lock pin for coupling
- 233838 (18.) Spring retainer for pin Call
- 418265 Gasket, under distributor
- 925060 Sealing ring, on shaft

For Carburettor system, 1961-1969

- Part#**
- 667980 (1.) Single downpipe (up to 1964)
  - 1378904 (2.) Gasket, single downpipe (genuine)
  - 403546-1 (2.) Gasket, single downpipe (repro)
  
  - 671823 (3.) Twin downpipe, ch 16500- (1965-1969)
  - 671822 (4.) Gasket, twin downpipe
  
  - 953259 (5.) Stud, in exhaust manifold
  - 190852 (6.) Nut
  
  - 663794 (7.) Bracket for single downpipe (up to 1964)
  - 192040 (8.) Clamp for bracket above
  - 940100 (9.) Bolt for 192040
  - 955825 (10.) Nut
  - 672029 (11.) Clamp for twin downpipe (1965-1969)
  
  - 668510 (12.) Front silencer
  - 667982 (13.) Intermediate pipe
  - 672330 (14.) Retainer, at rear of intermediate pipe
  - 671800 (15.) Rear silencer
  
  - 673224 (16.) Tailpipes, chromed
  - 669316 (17.) Clamp for tailpipes (central)
  - 191466 (18.) Clamp for tailpipes (around pipe)
  - 658201 (19.) Rubber cushion, in clamp
  - 658653 (20.) Rubber cushion
  
  - 273068 (A) Fitting kit for complete system, -ch 16499
  - 273185 (B) Fitting kit for complete system, ch 16500-
  - 273069 (C) Fitting kit for rear silencer & tailpipes



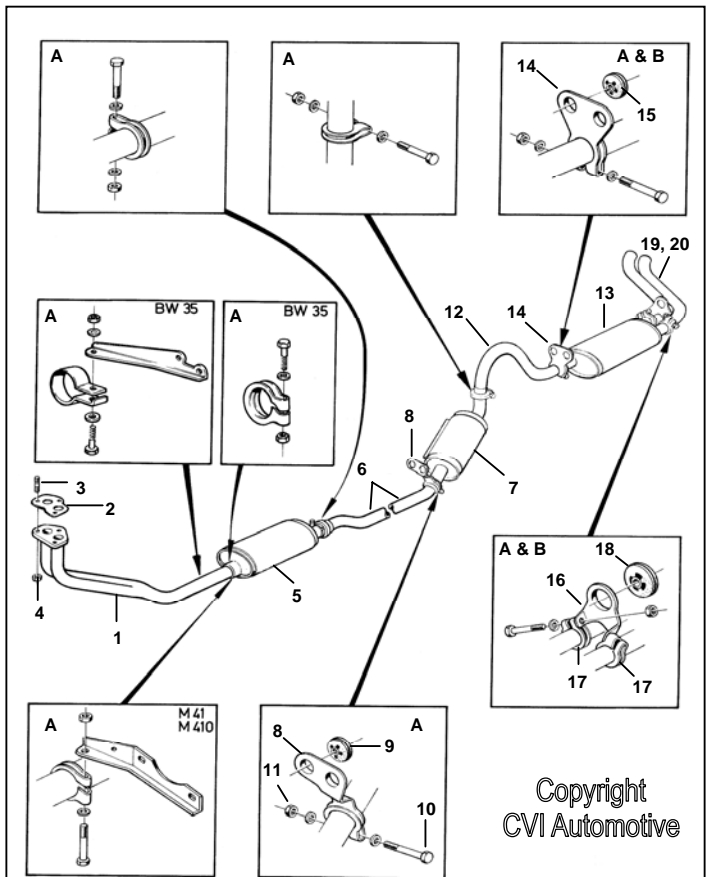
**CV2K** *Complete boxed exhaust system, with part fitting kit, '61-'66 (aluminised)*

**CV2K1** *Complete boxed exhaust system, with part fitting kit, '67-'69 (aluminised)*

**025K8D** *Sports exhaust system '66- '73*

For Injection system, 1970-1973

- Part#**
- 682110 (1.) Downpipe
  - 671822 (2.) Gasket for above
  - 953259 (3.) Stud, in exhaust manifold
  - 190852 (4.) Nut
  
  - 682115 (5.) Front silencer
  - 682118 (6.) Intermediate pipe, front
  
  - 682119 (7.) Middle silencer
  - 682462 (8.) Clamp, at front of middle silencer
  - 658653 (9.) Rubber cushion, in clamp
  - 955529 (10.) Bolt for clamp
  - 955826 (11.) Nut
  
  - 682120 (12.) Intermediate pipe, rear
  
  - 682117 (13.) Rear silencer
  - 682463 (14.) Clamp, at front of rear silencer
  - 658653 (15.) Rubber cushion, in clamp
  - 669316 (16.) Rearmost clamp (central)
  
  - 191466 (17.) Clamp for tailpipes (around pipes)
  - 658201 (18.) Rubber cushion, in clamp
  
  - 673224 (19.) Tailpipes, 1800E
  - 684103 (20.) Tailpipes, 1800 ES
  
  - 273317 (A) Fitting kit for complete exhaust system
  - 273318 (B) Fitting kit for rear silencer (contains 682463, 669316, 658201 et. al.)



**CV2K2** *Complete boxed exhaust system, with fitting kit, '70-'73 (good quality repro)*

**025K8D** *Sports exhaust system '66- '73*

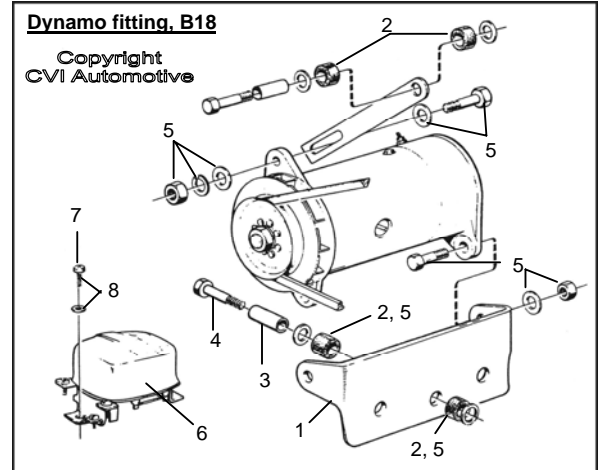
**Starter motor (B18/B20)**

<u>Part#</u>		<u>Part#</u>			
233679	Carbon brush set, starter 238620, early B18	240360	Starter motor, B18/B20	R	Call
		240604	Carbon brush set, starter 240360, B18/B20		

<u>Part#</u>	
418354	(1.) Bracket (renew if bolt holes are oval)
403877	(2.) Rubber bushing
403894	(3.) Spacer sleeve in rubber bushing (R)
955525	(4.) Bolt for fitting of bracket to engine block
FK-Dynamo 1	Fitting kit, dynamo/bracket (early, up to '66) (5.) (upper/lower bolts, nuts, washers + 403877)
FK-Dynamo 2	Fitting kit, dynamo/bracket (late, from '67 on) (5.) (upper/lower bolts, nuts, washers + 403877)
(419417V)	Bracket for fitting alternator in place of dynamo to B18 engine (lhd cars only)
238640	(6.) Voltage regulator (Bosch genuine)
1008	Decal (sticker) on side of relay (yellow)
190666	(7.) Screw (used up to approx. January 1964)
FK-012	(8.) Fitting kit (used from approx Jan. '64 on)

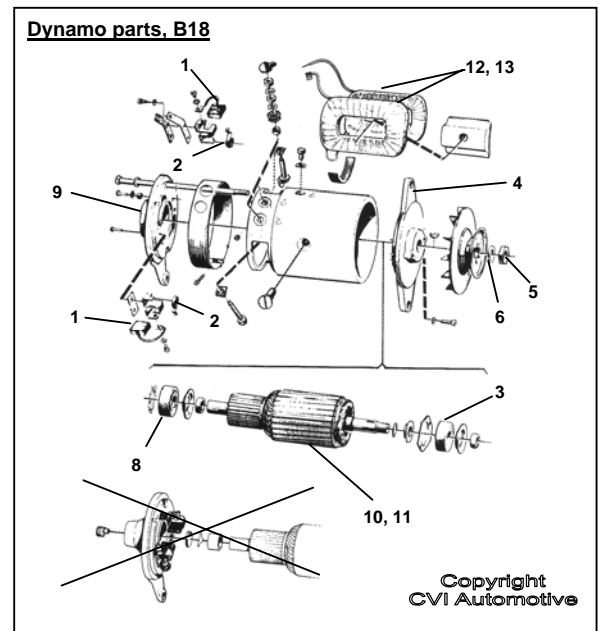
**Dynamo Fitting (B18)**

See Below)



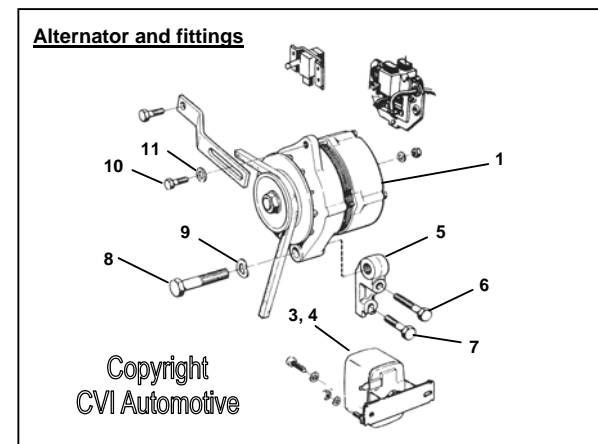
**Dynamo Parts (B18B)**

<u>Part#</u>		
273500	(1.) Carbon brush set (R)	
238801	(2.) Return spring, carbon brushes	
11010	(3.) Front bearing	
238793	(4.) Bracket (aluminium) for front bearing	
190718	(5.) Nut	Call
955926	(6.) Lock washer	
11009	(8.) Rear bearing (R)	
238794	(9.) Housing for rear bearing	
238804	(11.) Rotor (armature)	Call
<b>238621</b>	<b>Dynamo, exchange rebuilt (B18)</b> (send your old unit to us first - only type with bearing at both ends accepted!)	
Stom-621	Core charge if old unit not sent	

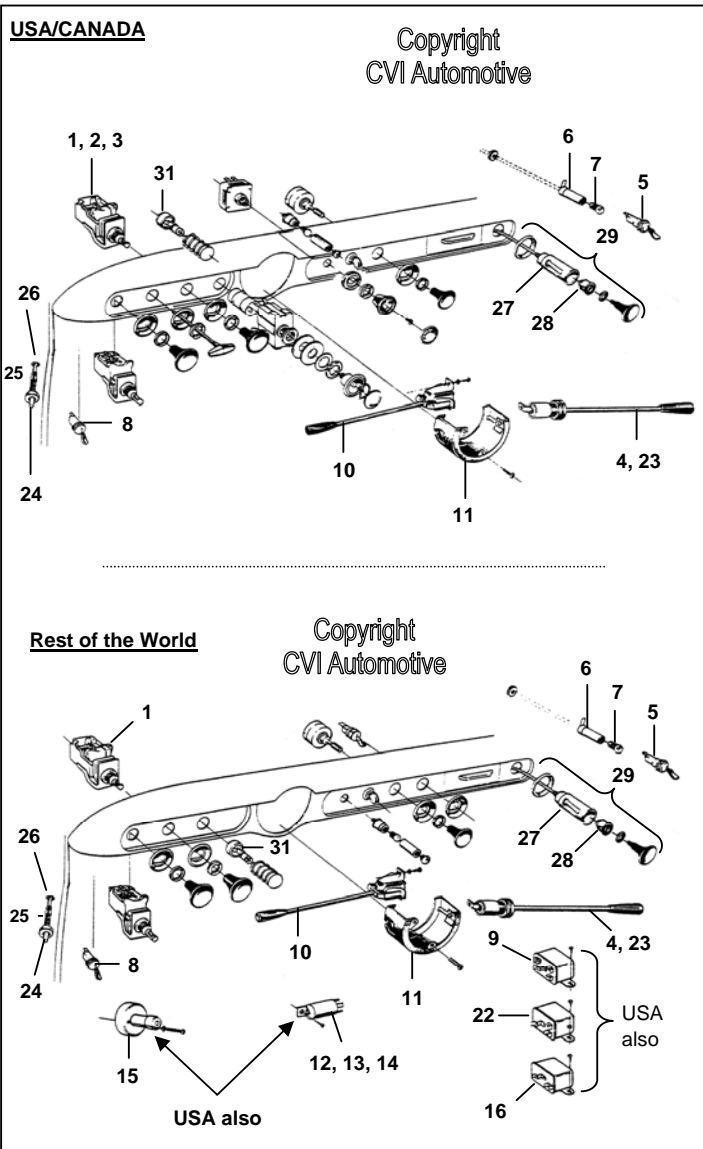


**Alternator (B18B/B20)**

<u>Part#</u>		
419420-1	Alternator, 35A (with built in charging relay)	
419417V	Bracket, dynamo to altern. conversion (LHD)	
5001612	(1.) Bosch alternator, exchange	Call
244456	(2.) Carbon brush kit, Bosch	
1259303	(3.) Charging relay, SEV (replaces 419589)	
1308030	(4.) Charging relay, Bosch (replaces 241534)	Call
419417	(5.) Bracket (for RHD B20 cars only)	Call
955536	(6.) Bolt for bracket, upper	
955535	(7.) Bolt for bracket, lower	
955565	(8.) Bolt, (alternator to bracket, LHD & RHD)	
940280	(9.) Spring washer	
955524	(10.) Bolt for tension adjuster	
191172	(11.) Washer	



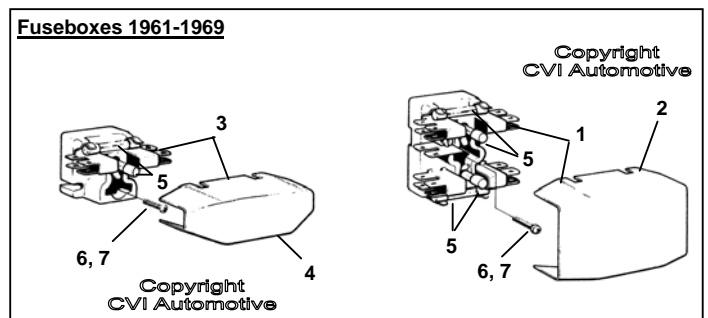
Please note: Lucas switches and other electrical items are now in short supply - others non-existent. Yet people are beginning to ask for turn signal and overdrive switches as well as light switches and relays. SI means "State Interest". In other words, if this is an item you would be interested in seeing re-manufactured please say so! Without proper feedback it is impossible to judge where to put energy and resources.



Part#	Description	Notes
664488	(1.) Light switch, to 1969 (USA -ch# 25499 only)	SI
680092	(2.) Light switch, USA from ch# 25500-33625 (remainder from ch# 30000-33625)	SI
677416	(3.) Light switch, all ES, E from ch# 33626-	SI
664478	(4.) Switch, horn to 1964, & overdrive 65-69 (R)	
665058	(5.) Switch, map reading lamp (2 posn.)	
665789	(6.) Bulbholder for map light	
277706	(7.) Bulb, for map light (ref: 191934)	
665067	(8.) Switch, interior light (3 posn.) -ch 37549	
665681	(9.) Relay, for horn, up to 1964 Use 679337 for this - wire correctly! - see below	
662533	(10.) Indicator switch, up to ch. no. 33379	SI
665108	(11.) Housing for indicator arm, -ch 35782 (M41)	
664708	(12.) Flasher relay (up to 1969, USA to 1967)	
686452	(13.) Flasher relay, ch 3001-37549	
1210124	(14.) Flasher relay, ch 37550-	
668675	(15.) Foot dipper switch (old 664487)	
665298	(16.) Relay, for headlights, up to ch. no. 30000	
1307991	Step relay, headlights, 1970-1973	
665058	(18.) Overdrive switch, up to 1964	
665818	(19.) Lens (blue), o/d warning light, to ch 14305	NLA
665789	(20.) Bulbholder, o/d warning light, - ch 14305	NLA
663089/93/9-	(21.) O'drive warning lamp, on dash (red)	NLA
663090/93/9-	(21.) O'drive warning lamp, on dash (blue)	NLA
679337	(22.) Relay for overdrive, up to 1968	
1210334	(23.) Overdrive switch, 1800E/ES	SI
664512	(24.) Switch on door pillar, courtesy light	
955847	(25.) Nut	
665848	(26.) Electrical lead (2 per car)	Call
662118	(27.) Cigar lighter sleeve (sender), 12v	
662108	(28.) Glow element, 12v (Casco, USA)	
277238-1	(29.) Cigar lighter, complete, 12v (Casco, USA)	
277706	(30.) Bulb for instruments (8 per car)	
673048	(31.) Rear section, warning light (dual-circt brakes)	

FUSEBOXES, FUSES P1800 1961-1968

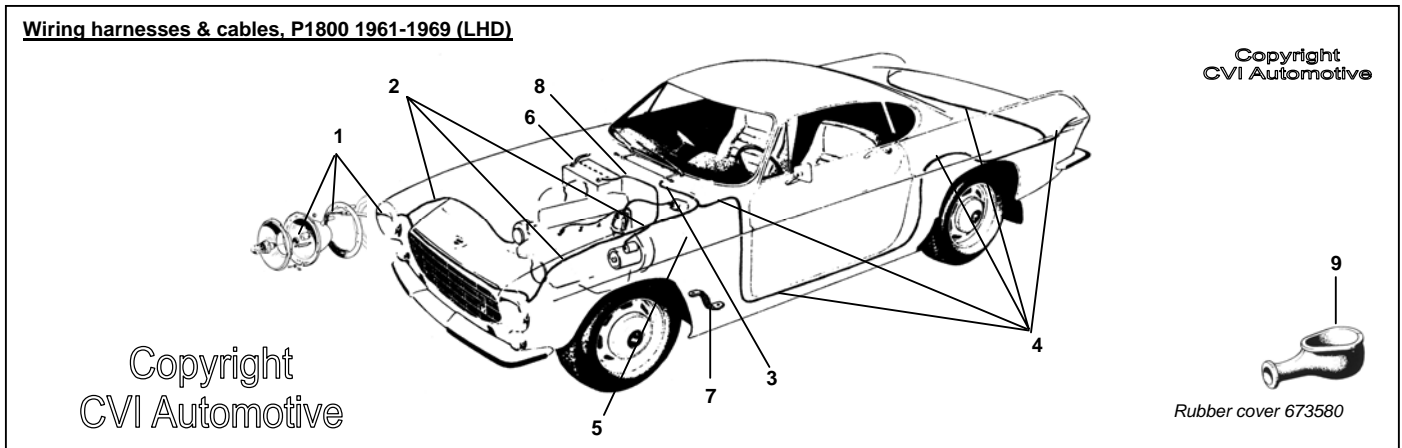
Part#	Description
665144	(1.) Twin fusebox (complete, '61-'69)
665144 (L)	(2.) Lid only, for twin fusebox
665145	(3.) Single fusebox (complete, '61-'69)
665145 (L)	(4.) Lid only, for single fusebox
668288	(5.) 35A glass fuse
192010	(6.) Screw (early UNF type)
950021	(7.) Screw (late UNC type)



We have managed to put most of the pieces of the jigsaw puzzle together as regards the Lucas system, but we still need samples of LHD 1969 (European) & RHD 1969 harnesses. For many of the 1800E & 1800ES systems mentioned below we still need samples. Anybody who sends us a usable sample of a harness we do not currently cover will receive a new harness made as per sample at a discounted price, along with their sample returned intact!

(LHD) (Lucas system)

Key: 1=headlamp cable 2=Main harness 3=instruments 4=chassis/tail section 5=overdrive harness

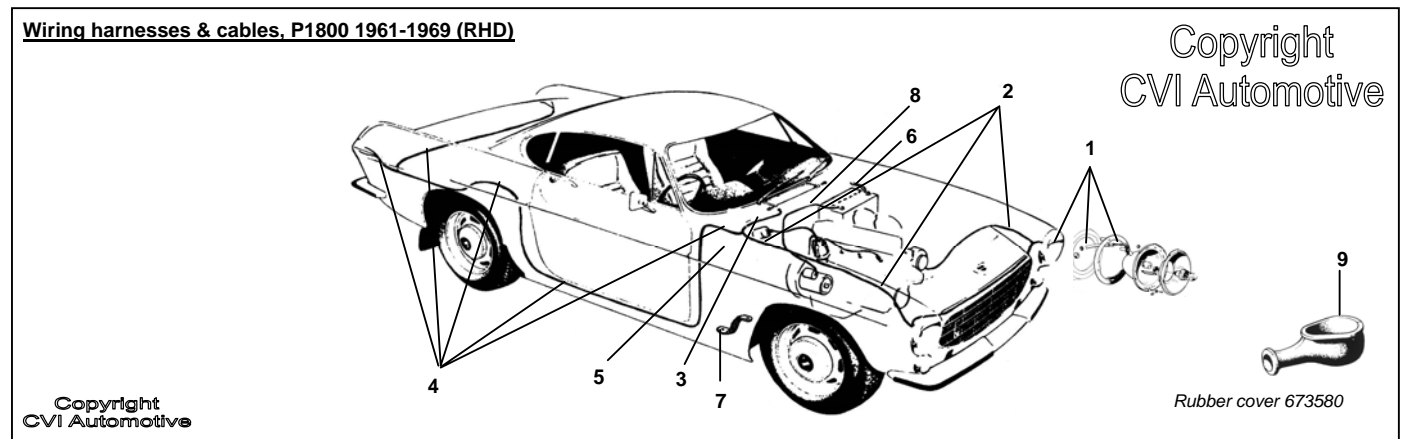


**(LHD Cars)**

<u>Part#</u>		<u>Part#</u>	
668178	(1-5) Complete harness, 1961-'64 (LHD)	668073-1	(1.) Headlamp cable 1961-1969 (bullet connectors)
668181	(1-5) Complete harness, 1965-'68 (LHD) (NB. USA 1968 version - see below)	11417	(6.) Earth strap, battery-body (LHD)
		190339	(7.) Earth strap, engine-body, from ch. 10310-
		192647	(8.) Battery lead, battery-starter motor, LHD (R)
673312K	(1-5) Complete harness, 1800S 1968 USA/CAN (NB. Dual-circuit brakes, B18)	673580	(9.) Rubber cover, on battery lead
673955K	(1-5) Complete harness, 1800S 1969 USA/CAN (NB. Dual-circuit brakes, B20)		

(RHD) (Lucas system)

Key: 1=headlamp cable 2=Main harness 3=instruments 4=chassis/tail section 5=overdrive harness



**(RHD Cars)**

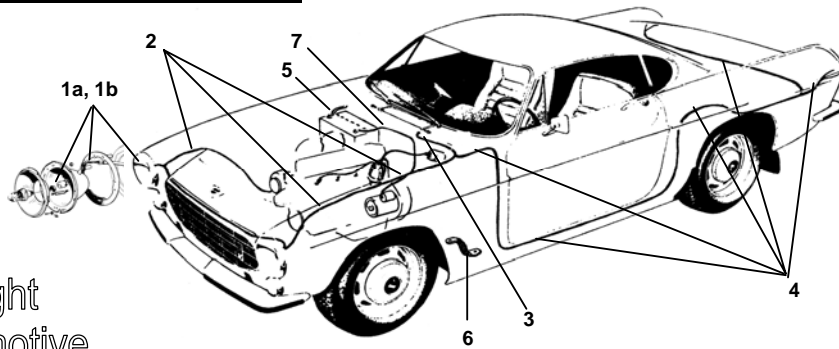
<u>Part#</u>		<u>Part#</u>	
668179	(1-5) Complete harness, 1961-'64 (RHD)	668073-1	(1.) Headlamp cable, 1961-1969 (bullet connectors)
668182	(1-5) Complete harness, 1965-'68 (RHD)	11521	(6.) Earth strap, battery-body (RHD)
	<i>We need a sample of a RHD 1969 harness!</i>	190339	(7.) Earth strap, engine-body, from ch. 10310-
		192214	(8.) Battery lead, battery-starter motor, RHD (R)
		673580	(9.) Rubber cover, on battery lead

(NB. Injection harnesses offered separately - see below)

For many of the 1800E & 1800ES systems mentioned below we still need samples to work from before we can offer re-manufactured harnesses. Anybody who sends us a usable sample of a harness we do not currently cover will receive a new harness made as per sample at a discounted price, along with their sample returned intact!

**Wiring harnesses & cables, 1800E/ES 1970-1973 (LHD)**

Copyright  
CVI Automotive



Copyright  
CVI Automotive

Rubber cover 673580

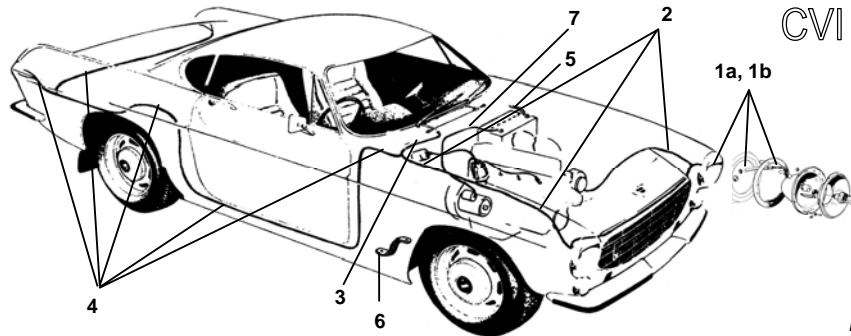
**Please note: Fuel Injection (FI) harnesses are NOT included in complete harnesses listed below.**

Part#	LHD Cars	Price	Part#	LHD Cars	Price
668073-2	(1a.) Headlamp cable (spade connectors side by side)		3108	(1-4.) Complete harness, 1800ES (early 1972 man.)	Call
668073-3	(1b.) Headlamp cable (spade connectors at right angles)		1212926/773	(1-4.) Complete harness, 1800ES (late 1972 man.)	Call
683402/397	(1-4.) Complete harness, 1800E (1970 manual)		3110	(1-4.) Complete harness, 1800ES (early 1972 auto)	Call
			3111	(1-4.) Complete harness, 1800ES (late 1972 auto)	Call
3101	(1-4.) Complete harness, 1800E (1971 manual)	Call			
3102	(1-4.) Complete harness, 1800E (early 71 auto)	Call	1214022/35M41	(1-4.) Complete harness, 1800ES (1973 manual)	Call
3103	(1-4.) Complete harness, 1800E (late 71 auto)	Call	214022/35BW3	(1-4.) Complete harness, 1800ES (1973 auto)	Call
3104	(1-4.) Complete harness, 1800E (early 72 man)	Call			
3105	(1-4.) Complete harness, 1800E (late 72 man.)	Call	11417	(5.) Earth strap, battery-body (LHD)	
			190339	(6.) Earth strap, engine-body, from ch. 10310-	
3106	(1-4.) Complete harness, 1800E (early 72 auto)	Call	192647	(7.) Battery lead, battery-starter motor, LHD (R)	
3107	(1-4.) Complete harness, 1800E (late 72 auto)	Call	673580	(8.) Rubber cover, on battery lead	

**RHD Cars**

**Wiring harnesses & cables, 1800E/ES 1970-1973 (RHD)**

Copyright  
CVI Automotive



Copyright  
CVI Automotive

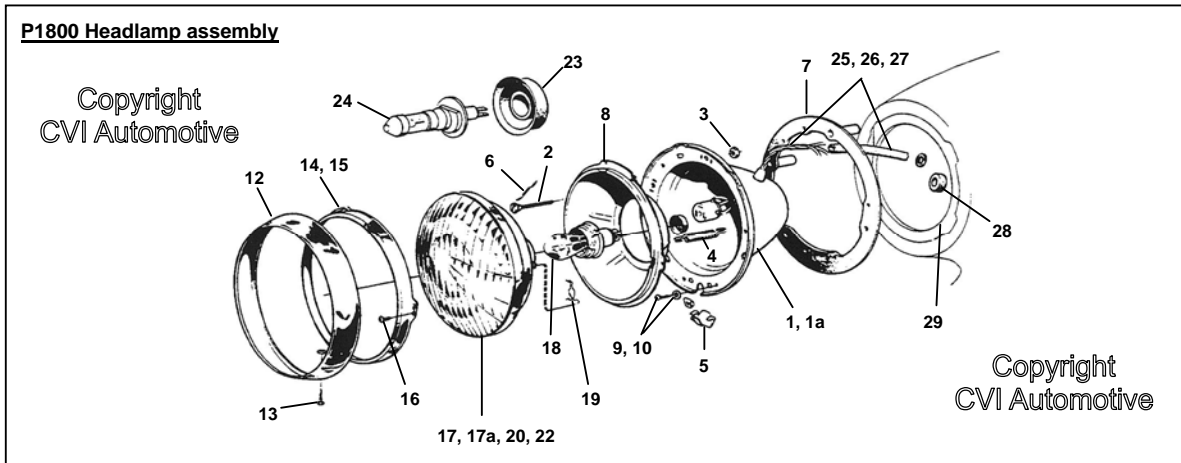
Rubber cover 673580

Part#	RHD Cars	Part#	RHD Cars
668073-2	(1a.) Headlamp cable (spade connectors side by side)	688607/686880	Compl. harness, 1800E (late 71 auto)
668073-3	(1b.) Headlamp cable (spade connectors at right angles)		
683403/686880	Complete harness, 1800E (1970 manual)	688607/1212936	Compl. harness, 1800E (1972 auto)
		1212927/938	Compl. harness, 1800ES (1972 manual)
1212927/686880	Complete harness, 1800E (1971 manual)	688607/1212938	Compl. harness, 1800ES (1972 auto)
		1214095/036	Compl. harness, 1800ES 1973
1212927/936	Complete harness, 1800E (1972 manual)	11521	(5.) Earth strap, battery-body (RHD)
		190339	(6.) Earth strap, engine-body, from ch. 10310-
688317/686880	Complete harness, 1800E (early 71 auto)	192214	(7.) Battery lead, battery-starter motor, RHD (R)
		673580	(8.) Rubber cover, on battery lead

**Fuel Injection Wiring Harnesses**

(NB. CVI's Injection harnesses come with Volvo-logod rubber muffs (protectors) and correct pin connectors)

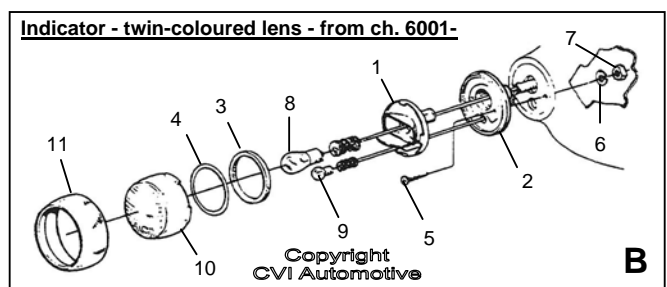
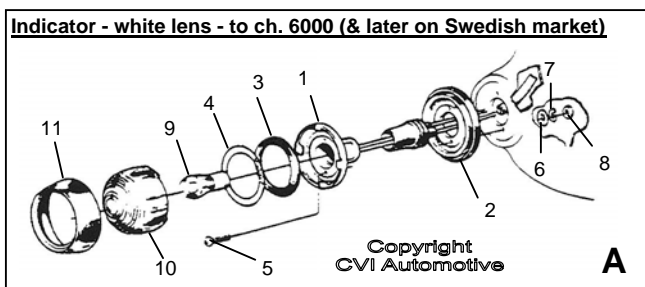
683691	Injection harness, 1800E to ch. 32799	2650	943693	Rubber protector, inj. harness, 2-pin
687852	Inj. harness, 1800E ch 32780-37549	Use 683691	945783	Rubber protector, 3-pin
1210099	Injection harness, 1800E ch 37550-, all ES	2650	943695	Rubber protector, 4-pin
	(NB: injection harnesses include rubber protectors )		<b>943690-1</b>	<b>Set of rubber protectors</b>



- Part#**
- 1207412 (1.) Headlamp bowl, genuine (incls. 2, 3, 4, 5)
  - 1207412P (1a.) Headlamp bowl, plastic (incls. 2, 3, 4, 8)
  - 668076 (2.) Adjuster screw
  - 668069 (3.) Plastic nut
  - 668078 (4.) Spring (for bowl)
  - 668072 (5.) Retainer clip
  - 668077 (6.) Spring
- } included with 1207412
- 665041 (7.) Gasket, behind headlamp bowl
  - 668075 (8.) Headlamp inner bowl
  - FK-013 (9/10) Fitting kit, bowl to wing (& to ring 664285)
  - 665040 (12.) Headlamp rim
  - 191380 (13.) Headlamp rim screw
  - 668079 (14.) Chrome headlamp retainer rim
  - 955118 (16.) Screw for retainer to inner dish (3 per h/l)  
(proper old-style genuine)
  - 241067 (17.) Headlamp insert (Bosch assymetric, LHD)
  - 240518 (17a.) Headlamp insert (Lucas assymetric, RHD)

- Part#**
- 277730 (18.) Bulb (std.) for old-style assymetric lamps  
R12 (60/55W) H4 bulb, for old-style assymetric lamps
  - 240147 (19.) Spring brace
  - 1212963 (20.) Headlamp insert, H4 (gen. LHD) (flat glass)
  - 1212962-R1 (22.) H/lamp insert, H4, RHD (flat glass)
  - 240148 (23.) Rubber cover
  - 963187 (24.) Halogen H4 bulb, for current style h/lamps
  - 668073-1 (25.) Headlamp cable (P1800/S) (bullet type)
  - 668073-2 (26.) Headlamp cable (E/ES) (parallell spades)
  - 668073-3 (27.) H'lamp cable (E/ES) (perpendicular spades)
  - 665330 (28.) Grommet for cable (R)
- 664486-1 Headlamp (LHD), 1961-1969 (compl.) R**  
1-11, 13, 14, 16, 19, 20, 23, 24, 25
- 664486-2 Headlamp (LHD), 1970-1973 (compl.) R**  
1-11, 13, 14, 16, 19, 20, 23, 24, 26 or 27 (state), 28
- 664285 (29.) Reinforcing ring (attached to ins. of wing)
  - 668675 Foot dipper switch (repls. 664487)
  - 1307991 Relay, for headlamp dip via indicator switch

**Indicator (Turn-signal) Lamps, Volvo P1800**



- Part#**
- CVI-1801 (1.) Bulbholder, early, all-white lens (1 bulb)
  - 664592 (2.) Rubber seal behind indicator
  - 665043 (3.) Seal ring
  - 665044 (4.) Slip ring
  - 192010-S (5.) Special fixing screw
  - 940090 (6.) Washer
  - 955918 (7.) Lock washer
  - 955780 (8.) Nut
  - 277728 (9.) Bulb
  - 664590 (10.) Lens (all-white)
  - 664589 (11.) Chrome rim
- A
- NLA
- Call
- 664576 Indicator lamp, complete, all-white (R)**

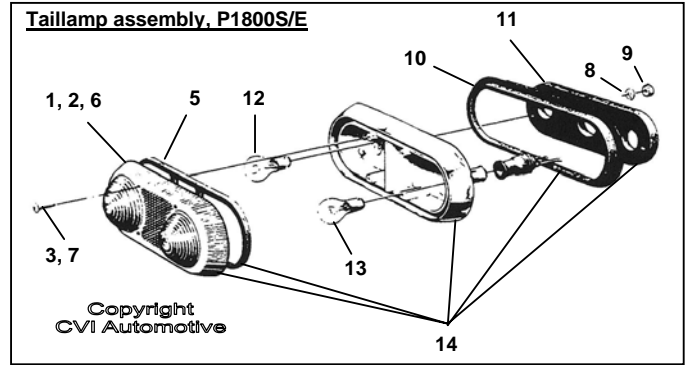
- Part#**
- CVI-1802 (1.) Bulbholder, late, white/yellow (2 bulbs)
  - 668200 (2.) Rubber seal behind indicator
  - 665043 (3.) Seal ring
  - 665044 (4.) Slip ring
  - 192010-S (5.) Special fixing screw
  - 955918 (6.) Lock washer
  - 955780 (7.) Nut
  - 277724 (8.) Bulb, indicator (indicator)
  - 277705 (9.) Bulb, parking light (parking light)
  - 668196 (10.) Lens (amber/white) (R)
  - 673509 (10.) Lens (all-amber) (USA/Can)
  - 664589 (11.) Chrome rim (R)
- B
- 668195 Indicator lamp, complete, twin colour R**

**REAR LIGHTS, P1800/1800S/1800E**

- Part#**  
 664496 (1.) Rear lens, all-red (USA to '69, others to '63)  
 668399 (2.) Rear lens, red/amber (1964-1972)  
 192020 (3.) Screw for lenses above (chromed)  
 658833 (4.) Rubber sealing ring for screw  
 664498 (5.) Sponge gasket, under lens  
 1212714 (2-5) **Taillamp lens (red/amb) w. screws & seals**

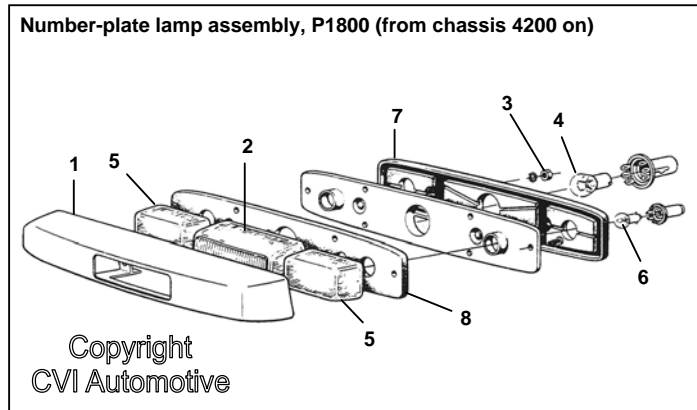
- 682906 (6.) Taillamp lens, 1800E all-red USA.  
 946227 (7.) Screw for 1800E lens  
 940090 (8.) Washer  
 955918 Spring washer  
 955844 (9.) Nut

- 665046 (10.) Gasket, lamp base to body  
 664505 (11.) Sponge seal behind lamp base (4/car)  
 277728 (12.) Bulb, stop & parking light



- 277724 (13.) Bulb, indicators  
 664491 (14.) Stop & taillamp (with all-red lens -'69)  
 668400 (14.) Stop & taillamp (with 2-colour lens -'72)  
 NLA  
 NLA

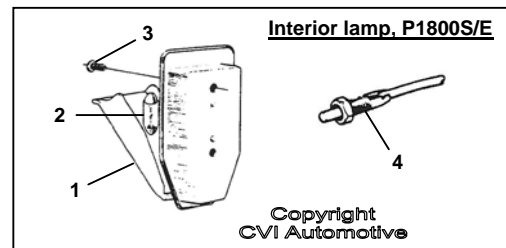
**NUMBER -PLATE LAMP (P1800S/E)**



- Part#**  
 665450 Chrome housing, to ch 4199 (R)  
 668122 (1.) Chrome housing (from ch. 4200-) (R)  
 955844 (3.) Nut  
 277724 (4.) Bulb, reversing lamp  
 277705 (6.) Bulb, no. plate lamp  
 668116 (7.) Rubber seal, lamp-to-body  
 668114 (8.) Sponge seal between lens & bulb holder  
 656086 Rear reflector (Swedish market only)

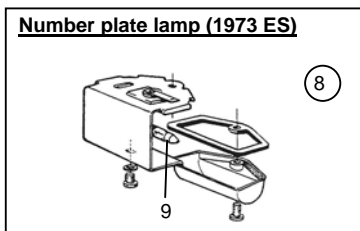
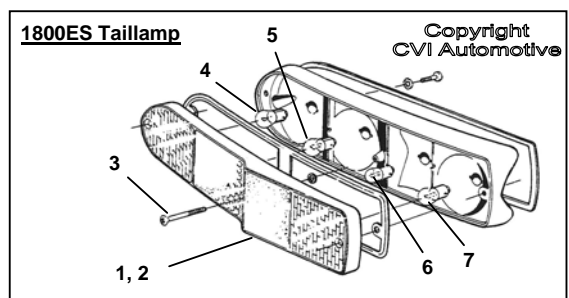
**INTERIOR LIGHTS, VOLVO P1800**

- Part#**  
 668418 (1.) Lens (later type)  
 277713 (2.) Bulb  
 955118 (3.) Base attachment screw  
 664512 (4.) Door pillar switch (spring-loaded) (R)  
 955847 Nut  
 665848 (5.) Electric lead to door pillar switch



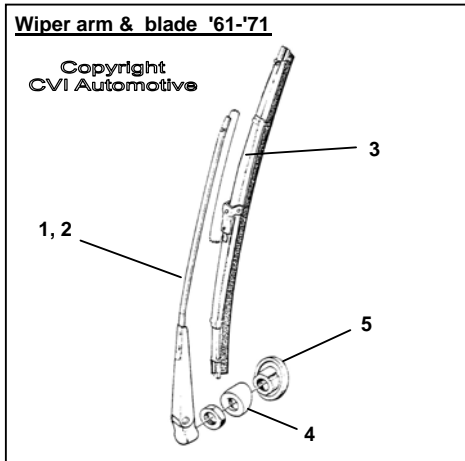
**REAR LIGHTS, VOLVO 1800ES**

- Part#**  
 686965 (1.) Taillamp lens, all ES (lh)  
 686966 (2.) Taillamp lens, all ES (rh)  
 956061 (3.) Screw (3 per lens)  
 277721 (4, 5, 7) Bulb, indicator/stop-light/reverse light  
 277707 (6.) Bulb, rear light



- 1214220 (8.) Number plate lamp, 1800 ES 1973  
 277713 (9.) Bulb, number-plate lamp





- Part#**
- 665636 (1.) Wiper arm, lh ('61-'71) (polished stainless)
  - 665637 (2.) Wiper arm, rh ('61-'71) (polished stainless)
  
  - 665638-1 (3.) Wiper blade ('61-'71) (R)
  - 665636/7/8-1 Wiper set: 2 arms + 2 blades ('61-'71) R**
  
  - 685696 Wiper arm (lh), 1971-1972
  - 685697 Wiper arm (rh), 1971-1972
  - 685709 Wiper blade, 1971-1972
  
  - 1213266 Wiper arm, lh & rh, 1973
  - 1213268 Wiper blade, 1973
  
  - 664607 (4.) Chromed sleeve under wiper spindle
  - 669796 (5.) Rubber seal, under chrome
  - 660397 (6.) Sponge seal, for wiper box

NLA

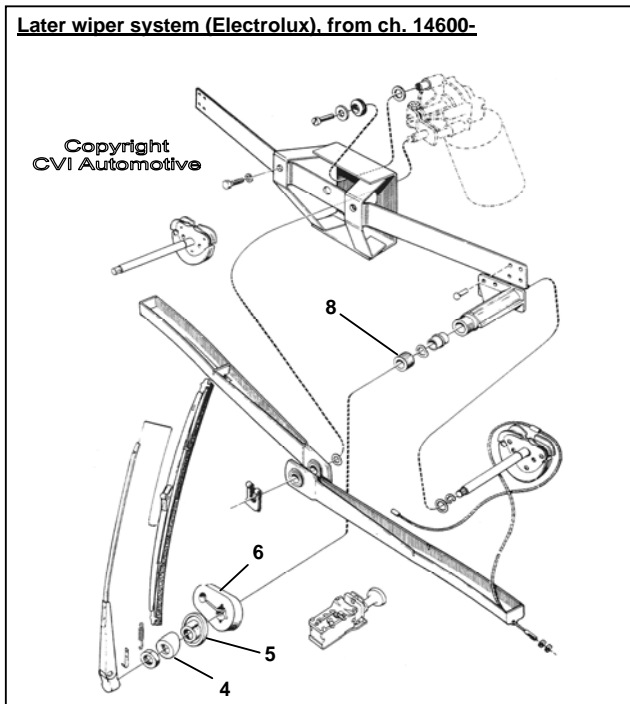
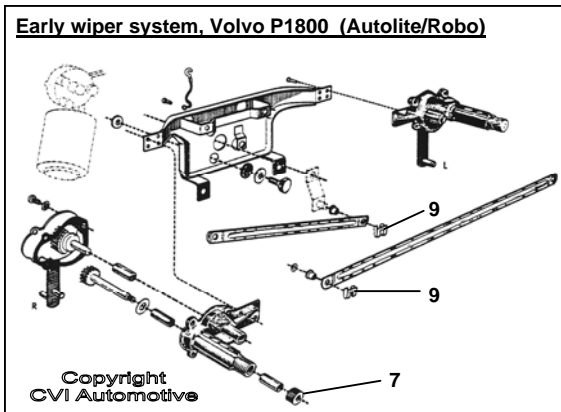
**Hubs for wiper arm attachment to spindle:**

- Part#**
- 654460 (7.) Hub (with splines), for SWF/Autolite (6 mm)
  - 671911 (8.) Hub (with splines), for Electrolux (8 mm)
  - 94641 (9.) Lock washer

Wiper mechanism, overhauled

Call

**Early wiper system, Volvo P1800 (Autolite/Robo)**



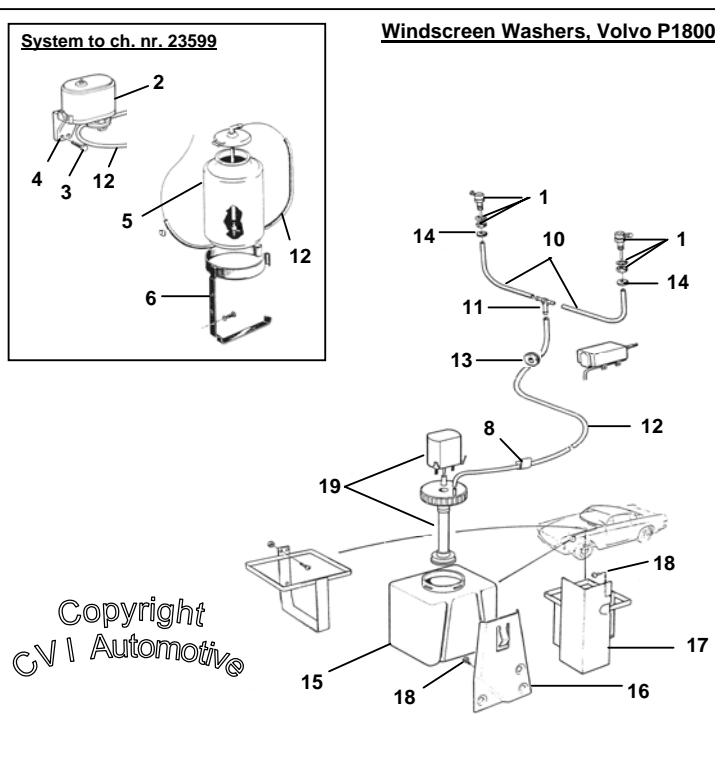
**Windscreen Washers, Volvo P1800**

- Part#**
- 668066 (1.) Washer jet (all models)
  - 661324 (2.) Washer motor (to chassis no. 23599)
  - 955636 (3.) Screw (3 per pump) (to ch. 7984)
  - 955512 (3.) Screw (3/pump, ch. 7985 - 23599)
  - 940155 (4.) Lock washer
  - 343188 Seal, for repair of old pump 661324
  - 343378 Seal ring, for repair of old pump 661324
  - 666977 (5.) Washer bottle (genuine, w. lid, angle pipe)
  - 659809 (6.) Clamp for genuine bottle
  
  - 666977 (1,5)-1 Wash bottle/clamp (larger diameter than orig)
  - 663641 (7.) Angle pipe, from bottle top
  - 667352 (8.) Non-return valve
  - 192248 (9.) Clip
  - 661324-1 Washer set: 661324 + 666977**
  - 661324-2 Washer set: 661324 + 666977 (1,5)-1**
  - 192580 (10.) Plastic hose
  - 659248 (11.) Three-way union
  - 192581 (12.) Plastic hose
  - 40136 (13.) Rubber grommet, early (1 per car)
  - 665038 (14.) Rubber grommet, later type (2/car) (R)

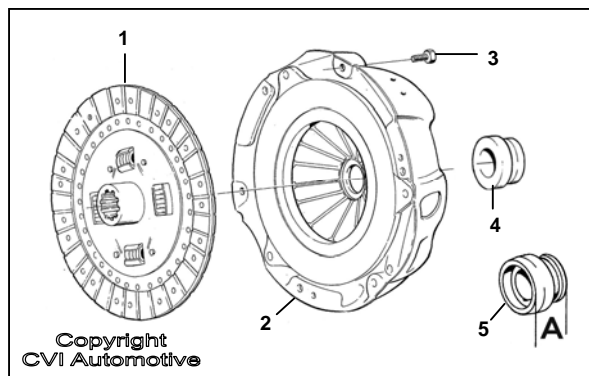
**from ch. no. 23600-**

- 671723 (15.) Water bottle (later square type) (genuine)
- 671723-1 (15.) Water bottle (later square type) (repro.)
  
- 672408 (16.) Bracket for later bottle (to 1969)
- 683487 (17.) Bracket (LHD from 1970)
- 955137 (18.) Screw (for both brackets)
- 688400 (19.) Washer pump (from ch. no. 23600-)

NLA

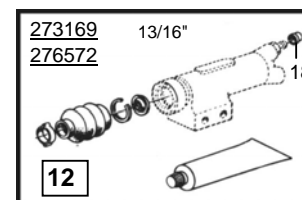
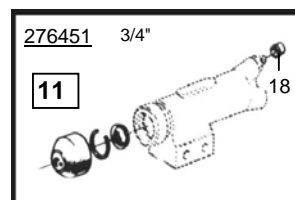
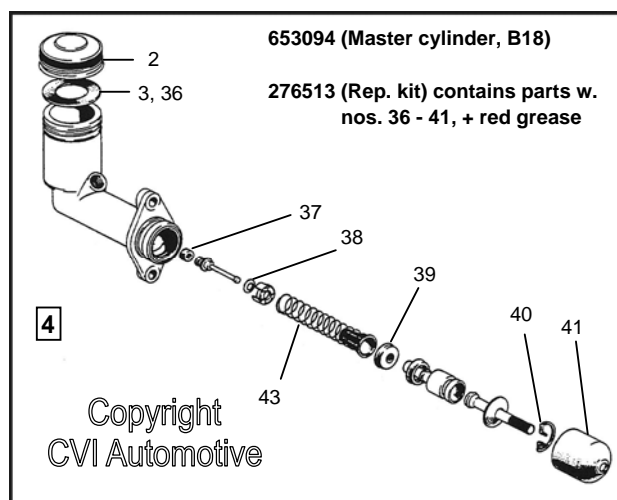
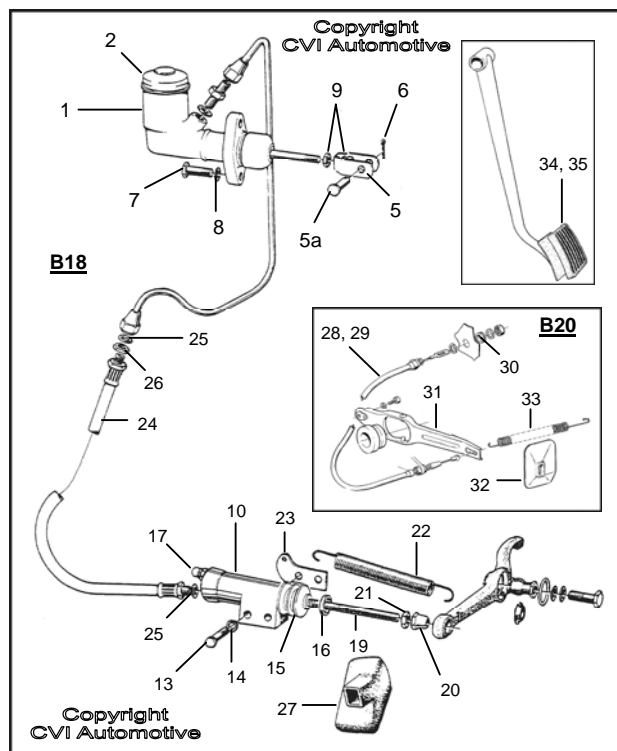


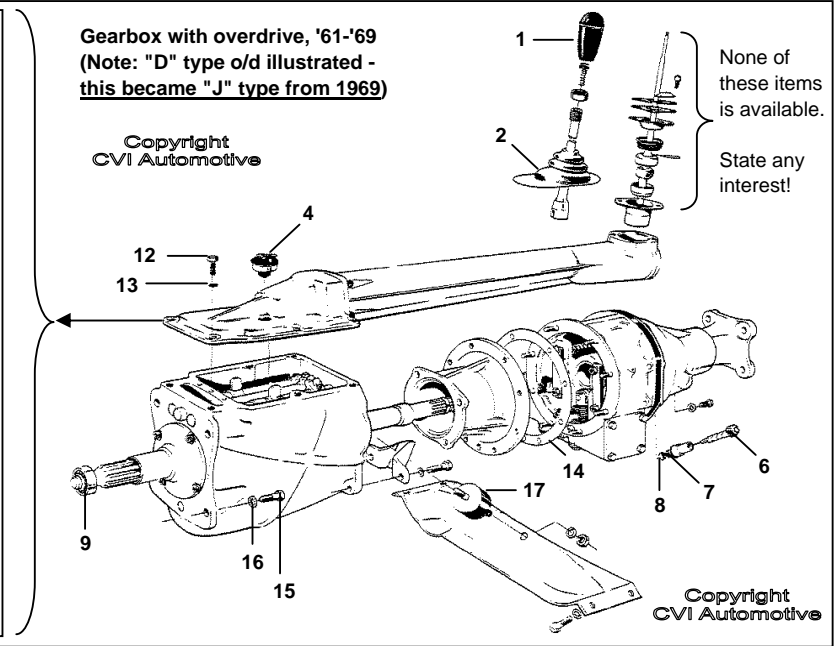
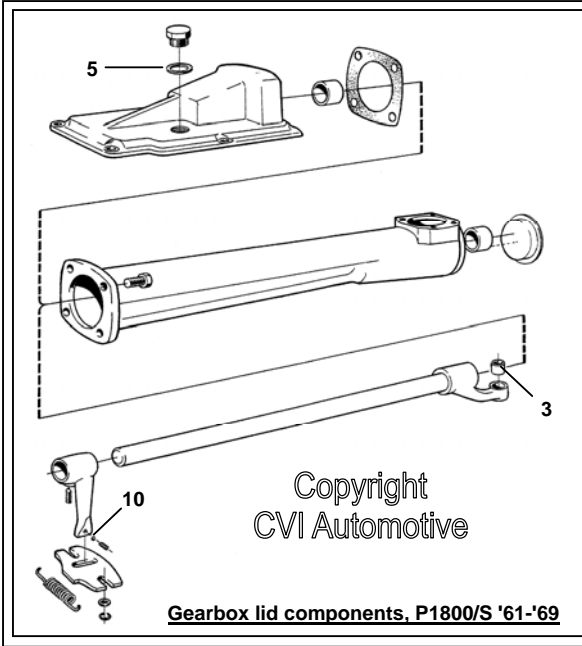
Part#	F&S = Fichtel & Sachs	B&B = Borg & Beck
1377323	(1.) Friction plate (current F&S clutch)	
1220795	(2.) Pressure plate (F&S)	
940135	(3.) Bolt	
380569	(4.) Release bearing for above (Volvo/Sachs gen)	
672122	(5.) Rel. brng, B&B clutches ('66-) (A=43mm)	
<b>271263</b>	<b>Clutch kit (genuine F&amp;S) (incls. 1 and 2)</b> (Use bearing 380569 with this kit)	
11009	Support bearing, for gearbox input shaft (R)	
1218634-S	Crankshaft seal kit (modern oil seal type)	



**CLUTCH HYDRAULICS (B18): CLUTCH CABLE (B20)**

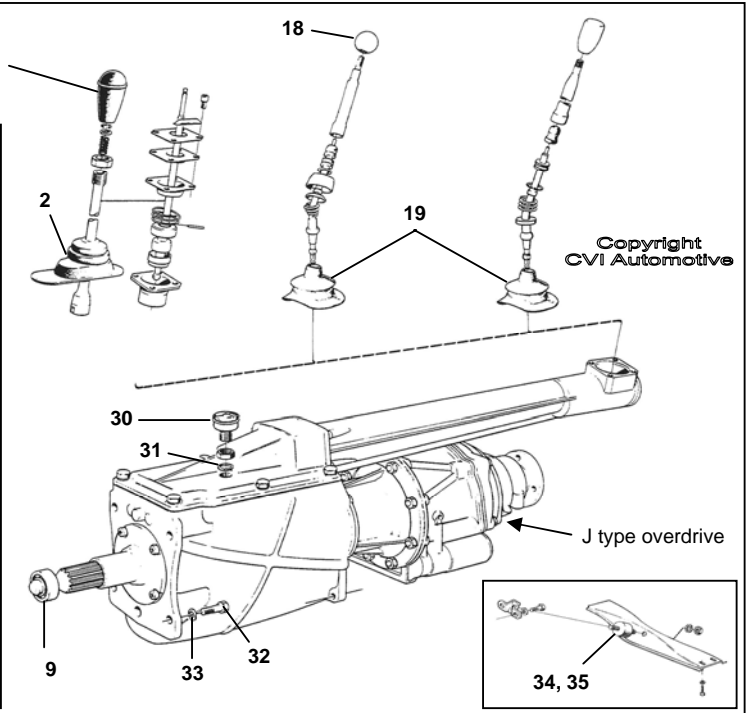
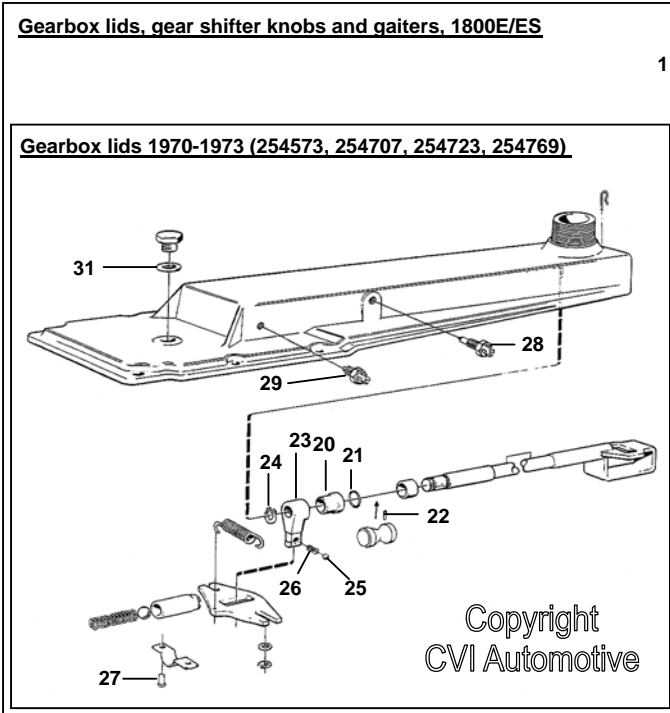
Part#		
653094	(1.) Master cylinder	(R)
656479	(2.) Filler cap	(in original aluminium)
656480	(3.) Seal, under lid	(included in repair kit)
276513	(4.) Repair kit, master cylinder	(genuine)
276513-1	(4.) Repair kit, master cylinder	(R)
672917	(5.) Yoke, on pushrod	(renew if holes are oval)
913128	(5a.) Clevis pin	
907824	(6.) Split pin	
940135	(7.) Bolt	
955949	(8.) Lock washer	
955847	(9.) Nut	
669782	(10.) Slave cylinder, B18 (3/4")	<u>Girling</u> (-1964)
276451	(11.) Repair kit for 669782	(genuine)
276451-169	Repair kit for both 3/4" & 13/16" (36-39+15)	
673030	(10.) Slave cylinder, B18 13/16" ('65-)	(R)
276572	(12.) Repair kit, 13/16" for cylinder 668365	(gen.)
273169	(12.) Repair kit, 13/16" for cylinder 673030	(gen.)
276451-169	Repair kit for both 3/4" & 13/16" (36-39+15)	
955526	(13.) Bolt	
955921	(14.) Spring washer	
673034	(15.) Rubber dust cover	(fits all, but std. from '67-)
673035	(16.) Lock ring for dust cover	
656455	(17.) Bleed nipple for slave cylinder	
656456	(18.) Rubber cover on bleed nipple	
673032	(19.) Pushrod (with nos. 15. & 16.)	
653433	(20.) Adjuster nut	
955847	(21.) Lock nut	
653941	(22.) Return spring, B18	
657894	(23.) Fäste för returfrjäder	
665254	(24.) Flexi hose	
940147	(25.) Copper gasket	
940153	(26.) Nut	
663994	(27.) Dust cover, B18	
1206205-1	(28.) Clutch cable, B20	(LHD) (R)
1206206	(29.) Clutch cable, B20	(RHD) (genuine)
677056	(30.) Bush	Call
677431	(31.) Clutch fork (B20)	(ref: 1212189)
677465	(32.) Rubber dust cover, B20	
677531	(33.) Return spring, B20	
653238	(34.) Pedal rubber	(B18, B20 to ch -30000) (R)
666176	(35.) Pedal rubber	(B20 from ch. 30001-) (R)
669950	(43.) Return spring, clutch master cylinder	





Part#	1961-1969
662068	(1.) Gear knob, to ch. 30000
657889	(2.) Gear lever gaiter, to ch. 30000
380311	(3.) Bushing
662292	(4.) Overdrive inhibitor switch + reverse switch
11996	(5.) Copper washer
380305-1	(6.) Speedo pinion gear, 61-69 (without shaft)
191117	(7.) O-ring
380192	(8.) Oil seal for speedo cable input
11009	(9.) Pilot bearing
31449	(10.) Ball
956570	(11.) Bolt
940135	(12.) Bolt
190819	(13.) Spring washer
380186	(14.) Gasket
956601	(15.) Allen bolt
940108	(16.) Lock washer
1221967	(17.) Gearbox mounting, for M41 (R)

Part#	1970-1973
680243	(18.) Gear knob, 1800E, ES
681560	(19.) Gear lever gaiter, 1800E, ES
381164	(20.) Bushing
943644	(21.) O-ring
951946	(22.) Tensioner pin (Lid 254707 only)
380753	Speedo pinion, B20 (see J type o/d)
381252	(23.) Pin
951671	(24.) Circlip
31449	(25.) Ball
381178	(26.) Spring
952517	(27.) Rivet
1212591	(28.) Switch, 2-pin (Lid 254707 only)
381251	(29.) Switch, 3-pin (Lids 254723/769)
662292	(30.) Overdrive inhibitor switch + reverse switch
11996	(31.) Copper washer
956601	(32.) Allen bolt (NOT M410)
940147	(33.) Lock washer (NOT M410)
1221967	(34.) Gearbox mounting, for M41 (R)
683711	(35.) Gearbox mounting, for M410 (1800E 1971)

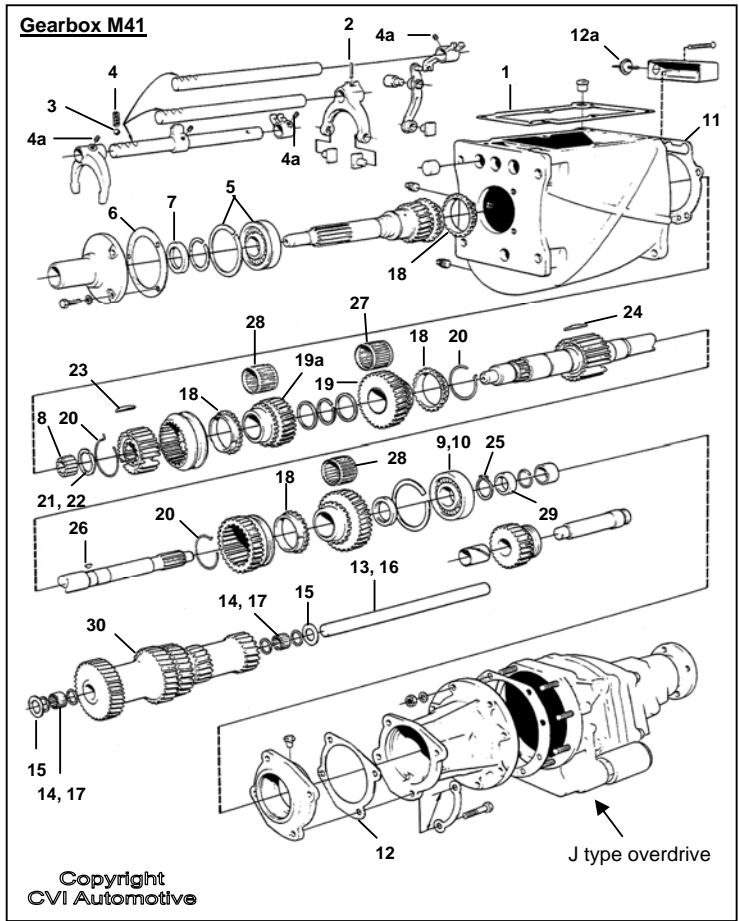


None of these items is available.  
State any interest!

NLA

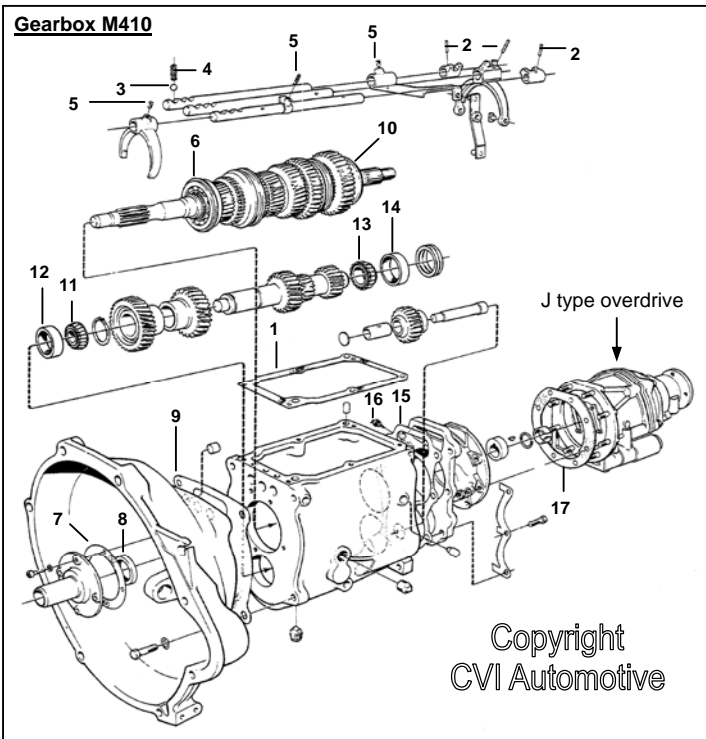
Call

- Part#**
- 381107 (1.) Cork gasket, under lid
  - 951965 (2.) Locking pin, middle selector fork
  - 67089 (3.) Ball, for locking gear in position, on selector
  - 87972 (4.) Spring, above ball
  - 656553 (4a.) Lock screw
  - 11145 (5.) Bearing, on input shaft
  - 656505 (6.) Gasket (also known as 380914)
  - 191685 (7.) Front oil seal
  - 181120 (8.) Needle bearings for input shaft (14/box)
  - 11013 (9.) Rear bearing M41 ('68)
  - 11024 (10.) Rear bearing M41 ('69-)
  - 380800 (11.) Gasket (380128/380616)
  - 380446 (12.) Gasket, rear housing/spacer (M41)
  - 275416 Gasket set, M41 (1, 6, 7, 11, 12 + more)**
  - 380360 (12a.) Switch, reverse gear (late M41)
  - 380157 (13.) Countershaft for laygear (to 1969)
  - 19567 (14.) Needle bearings laygr (48/car) (to 1969)
  - 656551 (15.) Thrust washer, laygr. (2/car) (to 1969)
  - 380808 (16.) Countershaft for laygear (1971-)
  - 183498 (17.) Needle bearing, laygear (42/car) (1971-)
  - 656138 (18.) Synchronising cone
  - 380174 (19.) Gear, 2nd
  - 380619 (19a.) Gear, 3rd
  - 86713 (20.) Clamping ring for locating key
  - 191498 (21.) Snap ring (thickness 2.1)
  - 191499 (22.) Snap ring (thickness 2.2)
  - 656514 (23.) Locating key (3 per box)
  - 380141 (24.) Locating key (3 per box)
  - 190687 (25.) Circlip (thickness 2.25)
  - 191882 (26.) Key
  - 181330 (27.) Needle bearing
  - 181331 (28.) Needle bearing
  - 380652 (29.) Cam
  - 380894 (30.) Laygear (very late M41)



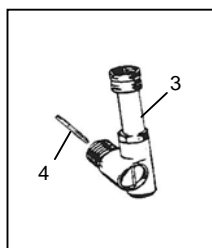
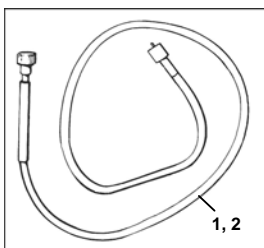
**380383-S Close-ratio gear set, for M40/M41 (for competition use)**

**GEARBOX M410**

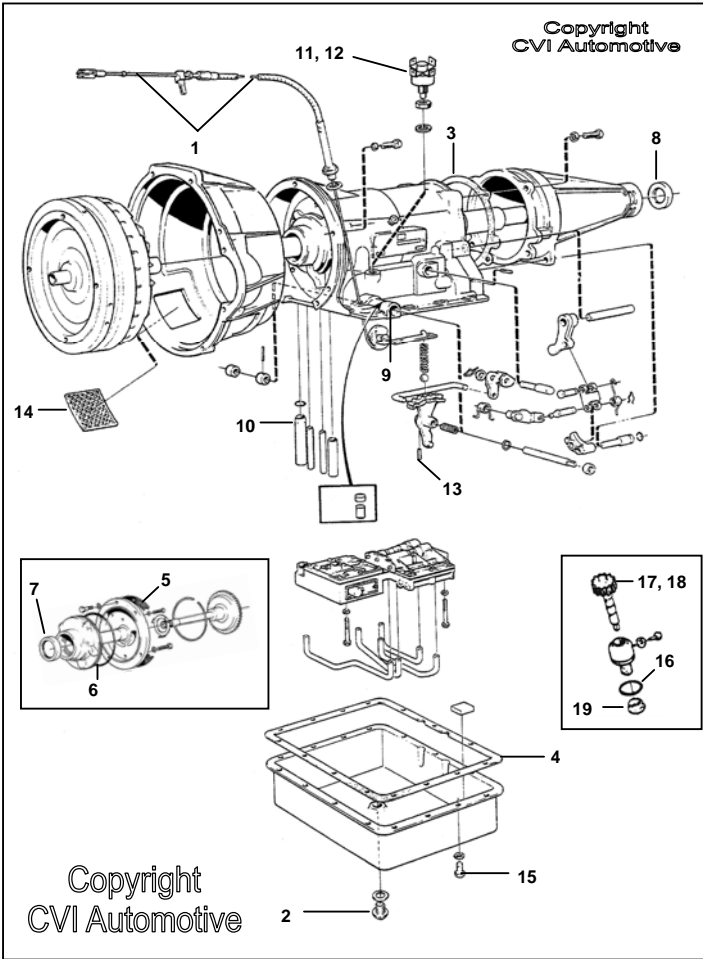


- Part#**
- 381107 (1.) Cork gasket, under lid
  - 951965 (2.) Locking pin
  - 67089 (3.) Ball
  - 381182 (4.) Spring
  - 656553 (5.) Lock screw
  - 11108 (6.) Bearing on input shaft **SI**
  - 381009 (7.) Gasket (Not available) **SI**
  - 191685 (8.) Front oil seal
  - 183317 Needle bearings, input shaft
  - 381051 (9.) Gasket (Not available) **SI**
  - 183573 (10.) Rear bearing (Not available) **SI**
  - 183625 (11.) Bearing cone } Laygear (Not available) **SI**
  - 183626 (12.) Bearing cup } (Not available) **SI**
  - 183628 (13.) Bearing cone
  - 183629 (14.) Bearing cup
  - 381146 (15.) Gasket
  - 381030 Synchronising cone **Call**
  - 656514 Locating key (3 per box)
  - 380141 Locating key (3 per box)
  - 381044 (16.) Reversing light switch
  - 380618 (17.) Gasket
  - 683711 Gearbox mounting, for M410 (1800E 1971)

**SPEEDOMETER CABLES, SPEEDO PINIONS, ANGLE BOX**



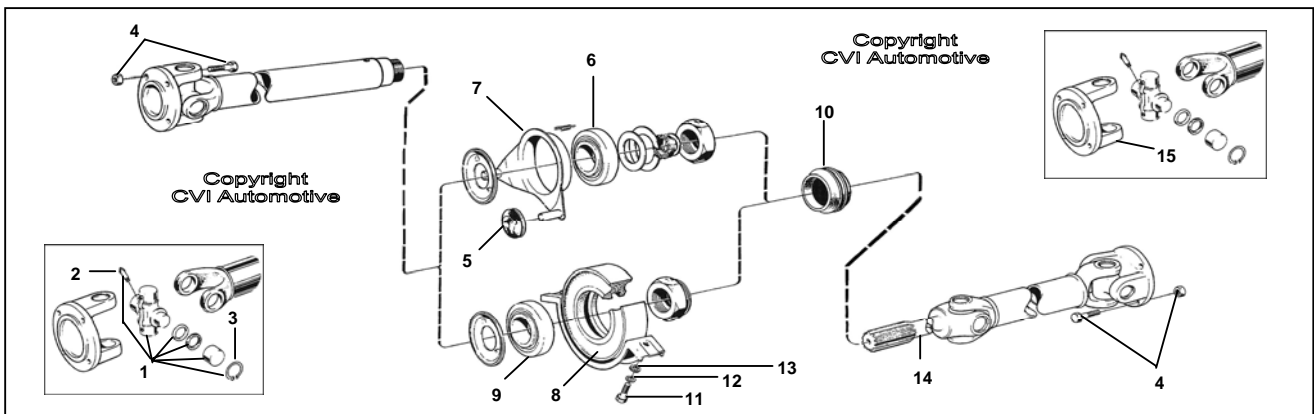
- 668169 (1.) Speedometer cable, all LHD (+ RHD 1970-)
- 668166 (2.) Speedometer cable, RHD 1961-1969
- 88273 Rubber grommet, on cable (from ch. 6001-)
- 666756 (3.) Angle box (with drive pin 666974)
- 666974 (4.) Drive pin, from angle box
- 380305-1 Speedo pinion (B18) (without shaft)
- 380753 Speedo pinion, B20 (with shaft)



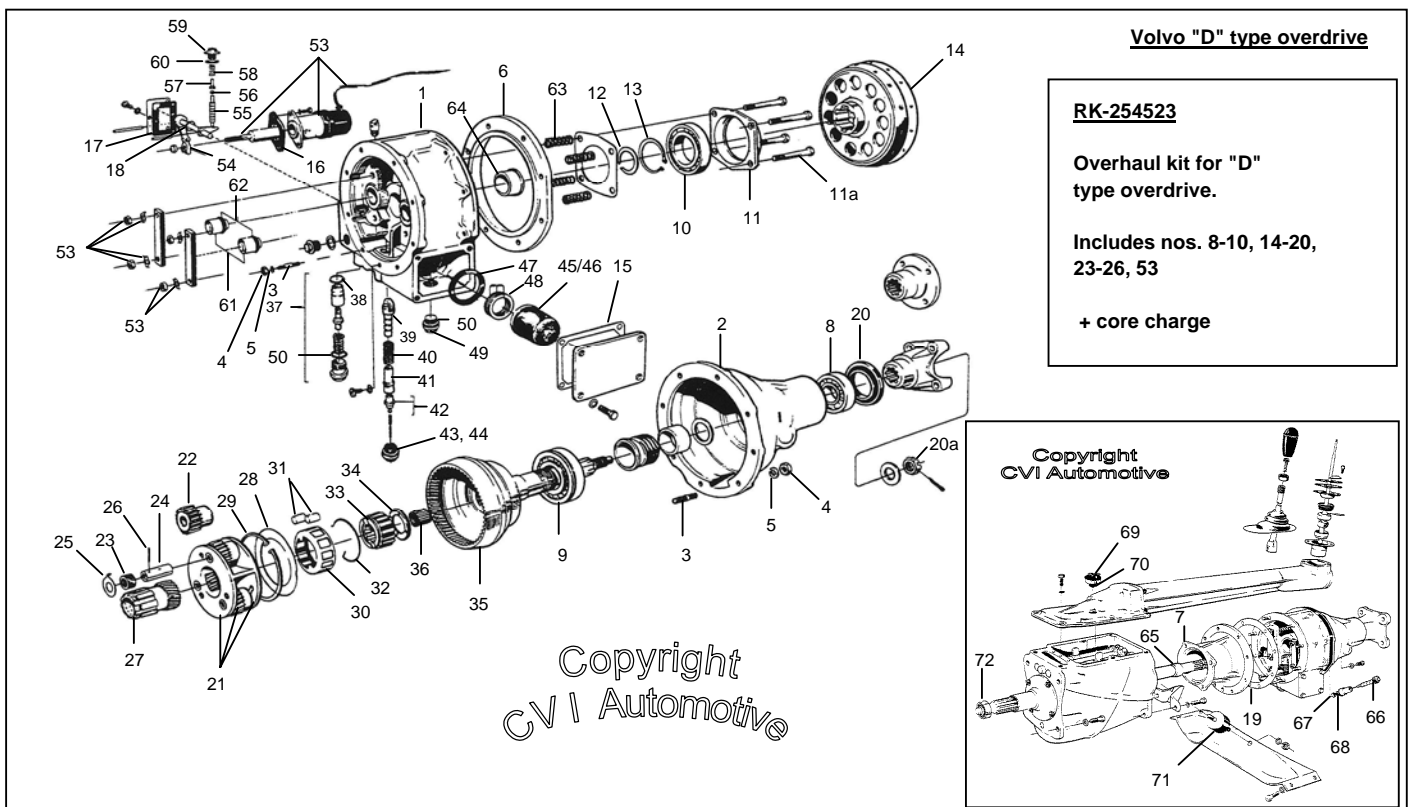
- 235985 (1.) Kick-down cable, for automatic gearboxes
- 1220601 Torque converter, exchange (old 235503)
- 235859 (2.) Oil drain plug
- 235858 (2a.) Washer for oil drain plug
- 235729 (3.) Gasket, tail housing to main housing See 276502
- 235716 (4.) Sump gasket See 276502
- 235528 (5.) Gasket, behind oil pump body (rear) See 276502
- 276502 Gasket set**
- 235522 (6.) Large O-ring See 276501
- 276501 Rubber and seal ring kit**
- 235517 (7.) Oil seal, front
- 235728 (8.) Oil seal, rear
- 235511 (9.) Oil seal
- 235705 (10.) Tube front pump inlet
- 273432 Spring & circlip set
- 276504 Thrust washer kit
- 273222 Spring kit, valve bodies assembly
- 235512 (11.) Inhibitor switch, 4-pin
- 1220558 (12.) Inhibitor switch, 6-pin
- 235845 (13.) Slotted spring pin
- 235814 (14.) Stone guard
- 955523 (15.) Screw (15 per gearbox)
- 191117 (16.) O-ring
- 380164 (17.) Speedo drive gear, 1800E -ch 37549
- 380861 (18.) Speedo drive gear, 1800E ch 37550-, all ES NLA
- 380192 (19.) Oil seal for speedo cable input
- 662711 Gearbox mounting, BW35
- 669843-1 Brake pedal rubber, automatic cars (R)

**PROPSHAFT**

<u>Part#</u>	<u>B18B and B20B/F</u>	<u>Part#</u>	<u>B20E</u>
672037	(1-3.) Universal joint, <u>greasable</u> (GKN genuine)	231311	(1.) Universal joint, B20E (R)
192554	(2.) Grease nipple	24383	(3.) Circlip
118006	(3.) Circlip		
1217606	Universal joint, non-greasable (R)	273977	(4.) Fitting kit for one 1 flange, B20E
273202	(4.) Fitting kit for 1 flange		
658653	(5.) Suspension bush (2/car) (1961-1966)	686668	(8.) Rubber gaiter for bearing (R)
181252	(6.) Support bearing (1961-1966)		
658516	(7.) Bearing retainer (1961-1966)	183265	(9.) Support bearing (R)
675367	(8.) Bearing support rubber (1967-1969)	683537	Support spring under rubber
686352	(8.) Bearing support rubber (B20F)	678824	(10.) Rubber seal Call
181549	(9.) Support bearing (1967-1973)		
675587	(10.) Rubber seal	955523	(11.) Bolt
955523	(11.) Bolt	955921	(12.) Spring washer
955921	(12.) Spring washer	955894	(13.) Washer
955894	(13.) Washer	942402	(11.) Bolt (later type)
656766	(14.) Yoke	231312	(14.) Yoke
		231313	(15.) Companion flange, B20E

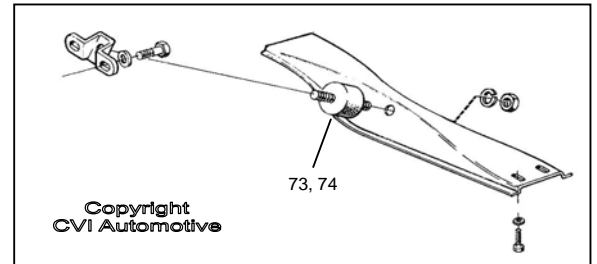
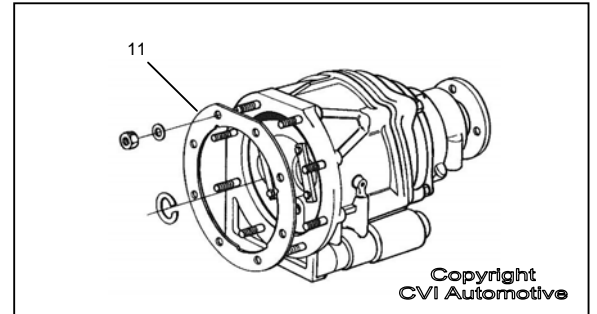
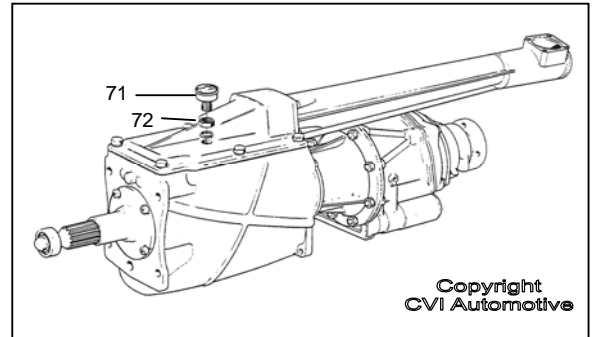
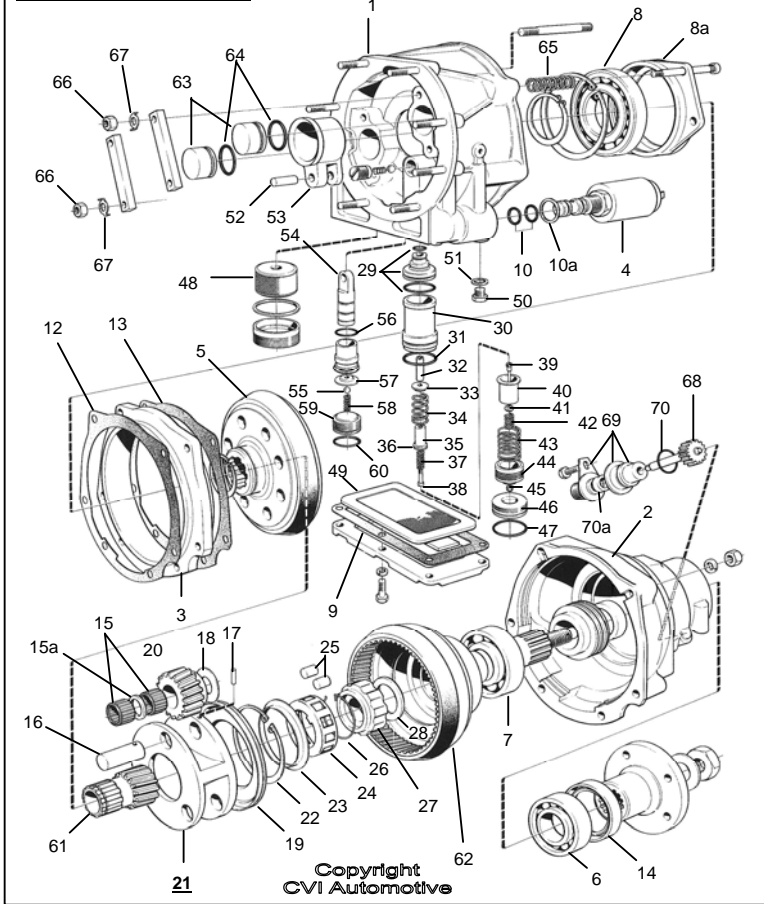


380250	(1.)	Main casing	(early type only)	380411	(35.)	Annulus (used only)	Call
380251	(2.)	Rear casing		380410	(36.)	Annulus spigot bearing	
380293	(3.)	Pin stud	(40 mm) (6 per o/d)	<b>380347</b>	(37.)	<b>Relief valve (body/plunger/spring/plug/ring)</b>	
380294		Pin stud	(30 mm) (7 per o/d)	380298	(38.)	O-ring, on relief valve	
380296		Pin stud	(36 mm) (2 per o/d)	380243	(39.)	Oil pump piston, with roller and pin	
380297		Pin stud	(28 mm) (1 per o/d)	380255	(40.)	Spring, for oil pump	
380294-1		Pin stud set (complete for 1 overdrive)		380270	(41.)	Sleeve, for oil pump	
955846	(4.)	Nut	(16 per o/d)	380262 /38041	(42.)	OP non-return valve (body, ball & spring)	
955920	(5.)	Spring washer	(16 per o/d)	<b>380243-1</b>		<b>Oil pump (complete, nos. 39-42)</b>	
380258	(6.)	Brake ring		380436	(43.)	Plug, for oil pump	
380183 (380434)	7	Spacer flange between O/D & gearbox	NLA	18820	(44.)	Sealing washer	
181063	(8.)	Bearing, rear		380274	(45.)	Oil filter, earlier type	
380306	(9.)	Bearing, middle		380440	(46.)	Oil filter, later type	
380307	(10.)	Bearing, front		380280	(47.)	Seal	
380268	(11.)	Carrier, for front bearing		380441	(48.)	Plastic washer set, magnetic, for late filter	
380273	(11a.)	Bolt		380282	(49.)	Oil drain plug	
380271	(12.)	Circlip		18820	(50.)	Sealing washer	
380300	(13.)	Circlip		<b>380617</b>	(53.)	<b>Solenoid</b>	
380246	(14.)	Cone clutch, relined	(exchange)	380249	(54.)	Operating lever	
Stom-246		Core charge for cone clutch (refundable)		380415-1		Operating valve set: (55/56/57/58.)	
380277	(15.)	Cork gasket, oil filter housing		380284	(59.)	Plug, for operating valve	
380351	(16.)	Cork gasket, solenoid fitment		380290	(60.)	Copper washer	
380356	(17.)	Gasket, solenoid inspection cover		380275	(61.)	Operating piston	
380291	(18.)	Rubber o-ring, on solenoid lever		380299	(62.)	O-ring, on operating piston	
380186	(19.)	Gasket, main casing to spacer flange		380247	(63.)	Spring set	
380295	(20.)	Oil seal		380403	(64.)	Central lubrication bush	NLA
M41D		Gasket set (with O-rings)		380398	(65.)	Cam (with woodruff key & lock ring)	
<b>380100</b>		<b>Gasket set (with O-rings &amp; oil seal)</b>		380305-1	(66.)	Speedo pinion, gear only (re-use shaft)	
380309	(20a.)	Nut for companion flange		380192	(67.)	Oil seal, at speedo input	
380404	(21.)	Planet carrier (complete)	(ref: 380245)	191117	(68.)	O-ring, on speedo pinion bush	
380408	(22.)	Planet gear set	(3 gears)	662292	(69.)	Inhibitor switch, on gearbox lid (4th gear)	
380410	(23.)	Needle bearing in planet gear	(6/car)	11996	(70.)	Copper sealing washer	
380409	(24.)	Planet shaft	(3/car)	1221967	(71.)	Gearbox mounting, for M41 (R)	
380319	(25.)	Thrust washer	(6/car)	11009	(72.)	Support bearing for gearbox input shaft (R)	
380320	(26.)	Lock pin (Mills pin)	(3/car)				
<b>380409/10</b>		<b>Fitting kit for planet gears (23/24/25/26)</b>					
380244	(27.)	Sunwheel					
380413	(28.)	Uni-directional clutch retainer					
380414	(29.)	UDC circlip					
380259	(30.)	UDC bearing cage (cone)	} UDC (compl.)				
273152	(31.)	UDC roller set					
380257	(32.)	UDC clamping ring	} (Now 274043D)				
380272	(33.)	UDC inner bearing cone					
380256	(34.)	Thrust washer					



254561	Overdrive unit, type J ('68-'70), <u>new</u>	273135	(29.) Seat with seal, relief valve	See 380778-1
254601	Overdrive unit, type J ('71-'73), <u>new</u>	380747	(30/31.) Sleeve, for relief valve	See 380778-1
273133	(1.) Main (front) casing	380768	(31.) O-ring	
380673	(2.) Rear casing	380779	(32-38.) Piston assembly	See 380778-1
380675	(3.) Brake ring	936-22	(37.) Spring (small)	
380771	(4.) Solenoid (incl. O-rings)	380778	(39-45.) Piston, under 380779	See 380778-1
380689	(5.) Clutch cone (grey lining) (Exchange!)	380770	(47.) O-ring	
Stom-689	Core charge for clutch (refundable)	<b>380778-1</b>	<b>Relief valve (nos. 29-45 on diagram)</b>	
11013	(6.) Bearing, rear	271454	Relief valve (current modified type, w plug)	
181092	(7.) Bearing, middle	380729	(48.) Oil filter	
380693	(8.) Bearing, front	380719	(49.) Oil strainer	
380694	(8a.) Bearing carrier	380672	(50.) Pressure plug	
380720	(9.) Gasket, oil sump	18665	(51.) Gasket	
380772	(10.) O-ring, on solenoid, small	380721	(52-54) Oil pump piston (with slide and pin)	
380773	(10a.) O-ring, on solenoid, large	380725	Sleeve, for oil pump	
380618	(11.) Gasket between O/D and gearbox	190611	(55.) Ball	} 273134-1
380674	(12.) Gasket, in front of brake ring	380766	(56.) O-ring	
380676	(13.) Gasket, behind brake ring	273134	(57/58.) Seat + spring, non-ret. valve	
380684	(14.) Oil seal	380726	(59.) Plug, incl. O-ring	
M41J	Gasket set (with O-rings)	380767	(60.) O-ring (loose)	
<b>380101</b>	<b>Gasket set (with O-rings and oil seal)</b>			

**Volvo "J" type overdrive**



380707	(15.) Needle bearing for planetary gear	See kit	380699	(61.) Sunwheel	
380709	(16.) Bearing pin (3/car)	See kit	380679	(62.) Annulus	Call
380763	(17.) Lock pin (3/car)	See kit	6814454	(63.) Operating piston, incl. O-ring (380698)	
<b>380707-1</b>	<b>Fitting kit, compl. planet gr. assembly (incls. nos. 15, 15a, 16, 17, 18)</b>		6814455	(64.) O-ring 380756	
380704	(19.) Oil catcher, behind planet gear carrier		273151	(65.) Spring set	
380706	(20.) Planet gear	Call	380887	(66/67.) Lock nut (replaces 955846 & 380303)	
<b>380705</b>	<b>(21.) Planetary carrier (complete) (27%)</b>		380753	(68.) Speedo pinion	
380714	(22.) UDC (uni-directional clutch) retaining circlip		380751	(69.) Pinion bearing, + connector, bracket, oil seal	
380713	(23.) UDC oil slinger		380757	(70.) O-ring	
380712	(24.) UDC bearing cage (retainer)		380752	(70a.) Oil seal	
273152	(25.) UDC roller set	} 274043 UDC (complete)	662292	(71.) Inhibitor switch, on gearbox lid	
380257	(26.) Clamping ring		11996	(72.) Copper sealing washer	
380711	(27.) UDC inner bearing cone		683711	(73.) Gearbox mounting, for M410	
380715	(28.) Thrust washer		1221967	(74.) Gearbox mounting, M41 (R)	

**Wheel bearings, oil seals, brake drums (P1800/S)**

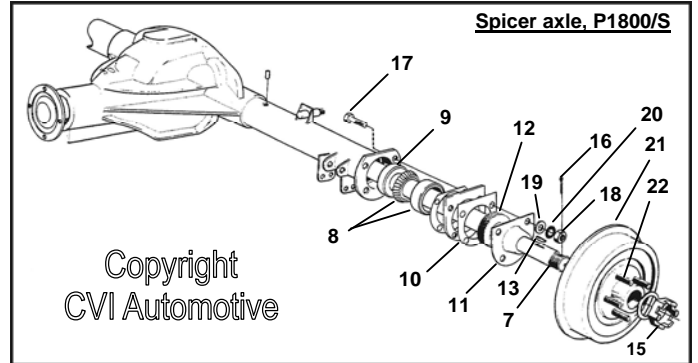
<b>Part#</b>		
89679 (HD)	(7.) Drive shaft	NLA
181217-1811E	(8.) Rear wheel bearing	
192550	(9.) Oil seal	
673788	(10.) Gasket (2/wheel)	
673791	(11.) Oil seal, outer (includes felt ring 19246)	
19246	(12.) Felt ring	

**CVI-605 (8-12) Wheel bearing kit (nos. 8-11)**

160553	(13.) Key
153031	(15.) Castellated nut
191174	(16.) Split pin
955676	(17.) Bolt
955848	(18.) Nut
940097	(19.) Washer
955950	(20.) Lock washer

**FK-009 Fitting kit for 1 brake backplate (17-20.)**

<b>Part#</b>	
673797	(21.) Brake drum, genuine (with hub)
654490	(22.) Wheel bolt
87699	Wheel nut
9991791R	Hub puller, for brake drum

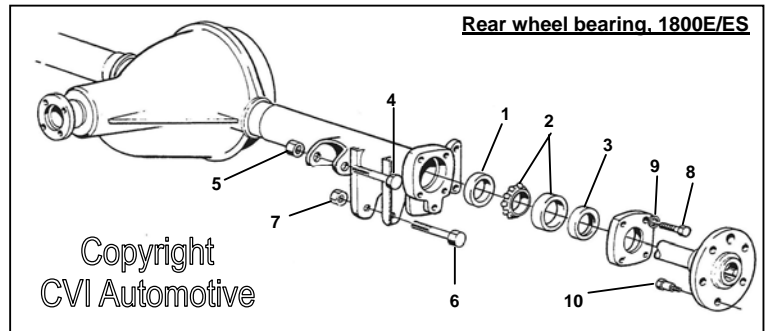


**Wheel Bearing, Oil seals (1800E/ES)**

<b>Part#</b>		
383168	(1.) Spacer ring (R)	
384728	(2.) Wheel bearing	
384710	(3.) Oil seal (R)	
<b>273872</b>	<b>(1-3.) Wheel bearing kit (1 wheel)</b> (includes items above)	

955569	(4.) Bolt, for support stay
950356	(5.) Nut
941858	(6.) Bolt, for torque rod
950377	(7.) Nut

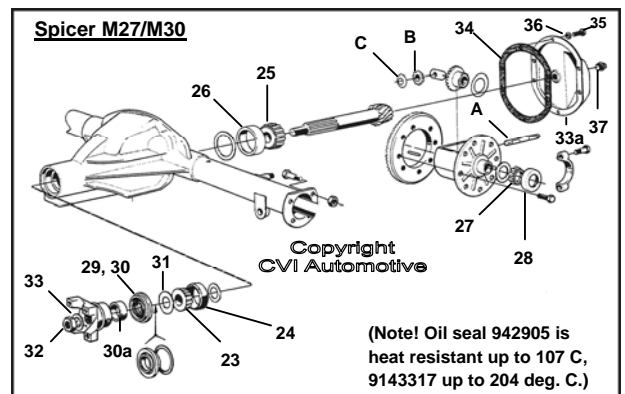
940115	(8.) Bolt
942336	(9.) Lock washer



676338	(10.) Wheel bolt (std size)	
676364	(10.) Wheel bolt (oversize)	
688984	Wheel nut (chromed), E/ES	NLA

**Pinion & Differential carrier bearings: Pinion oil seal (all)**

<b>Part#</b>		
181301-02	Inner cone/outer cup, pinion (frt) (1/car)	(23/24.)
181303-04	Inr. cone/outer cup, pinion (rear) (1/car)	(25/26.)
181305-06	Inner cone/outer cup, diff (M27) (2/car)	(27/28.)
181305-662	Inner cone/outer cup, diff (M30) (2/car)	(27/28.)
942905	(29.) Pinion oil seal (original genuine - NBR rubber)	
9143317	(30.) Pinion oil seal (current genuine - Viton)	
RH - SPICER	Repair sleeve, for sealing surface on pinion	



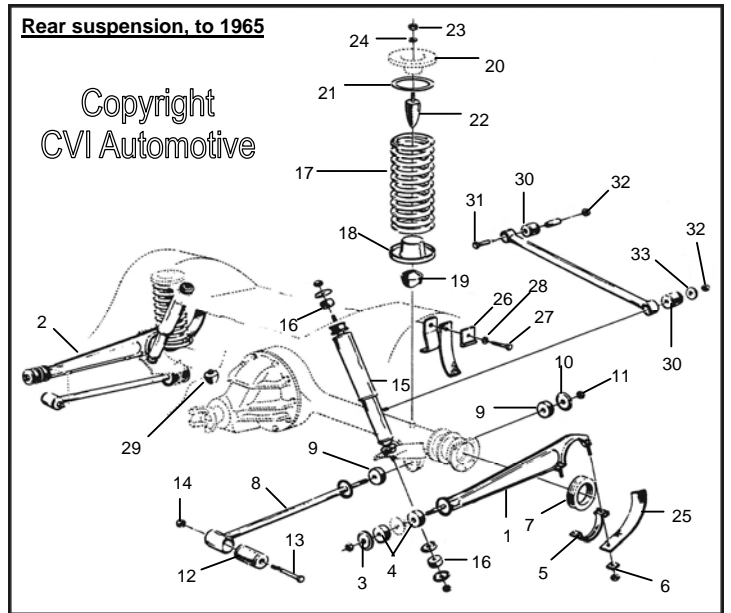
81388	(30a) Dust slinger	384201	(A) Pivot pin (M30 axles)
80506	(31.) Oil deflector, behind oil seal	384204	(B) Differential side gear (M30 axles)
88726	(32.) Nut for companion flange	384209	(C) Thrust washer (M30 axles)
80513	(33.) Washer	NLA	
89691	(33a.) Inspection cover	955523	(35.) Bolt for rear cover (10/car)
89254	(34.) Gasket for rear cover	942402	(35.) Bolt for rear cover (late) (10/car)
		955949	(36.) Spring washer
		952359	(37.) Oil filler plug

(Note! Oil seal 942905 is heat resistant up to 107 C, 9143317 up to 204 deg. C.)



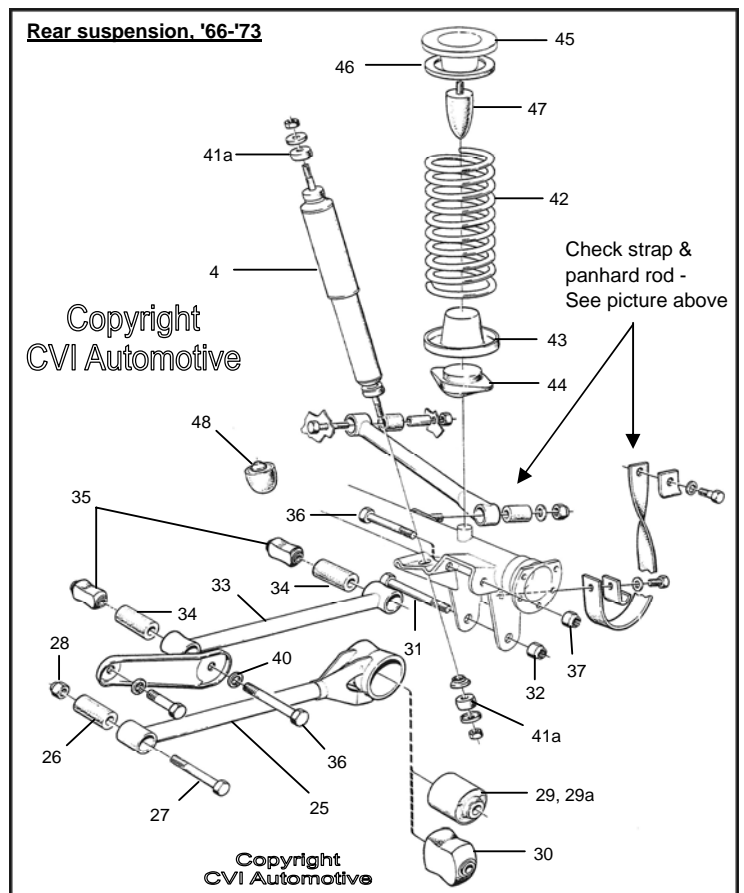
<b>Part#</b>			
653442	(1.)	Suspension arm, outer lhs	(genuine)
653443	(2.)	Suspension arm, outer rhs	(genuine)
653448	(3.)	Washer	
653448X		Pressed stainless washer on body	
653461	(4.)	Front rubber bush	(4/car)
653461HR	(4.)	Front rubber bush (harder rubber)	(4/car)
653456	(5.)	Clamp	NLA
950394	(6.)	Nut for clamp	
663972	(7.)	Rubber ring around axle	
667581	(8.)	Torque rod (from approx. March '63)	
653168	(9.)	Rear rubber bush	(4/car)
653168HR	(9.)	Rear rubber bush (harder rubber)	(4/car)
667535	(10.)	Washer	
667535X		Pressed stainless washer on body	
950356	(11.)	Lock nut	
662797	(12.)	Front silentbloc, torque rod	
955568	(13.)	Bolt for silentbloc	
950366	(14.)	Nut (special low nut)	
276553	(15.)	Shock absorber + fittings	(2/car)
BIL AR		Bilstein gas shock, rear	
670129	(16.)	Rubber cushion (NB. Included in 276552/53)	
657843	(17.)	Rear spring	(genuine)
659154	(18.)	Spring seat, lower	
667686	(19.)	Rubber cushion, under spring seat	
668777	(20.)	Spring seat, upper	NLA
659325	(21.)	Rubber insert	
83108	(22.)	Rubber buffer, above spring	(genuine)

<b>Part#</b>			
955783	(23.)	Nut	Call
955922	(24.)	Spring washer	
672251	(25.)	Check strap	
89818	(26.)	Shaped washer	
940115	(27.)	Bolt	
940108	(28.)	Spring washer	
83107	(29.)	Rubber cushion (D = 37)	
663989	(29.)	Rubber cushion (D = 45)	NLA
87033	(30.)	Rubber bush, for Panhard rod	(genuine)
955565	(31.)	Bolt	
950366	(32.)	Nut	
120802	(33.)	Washer	

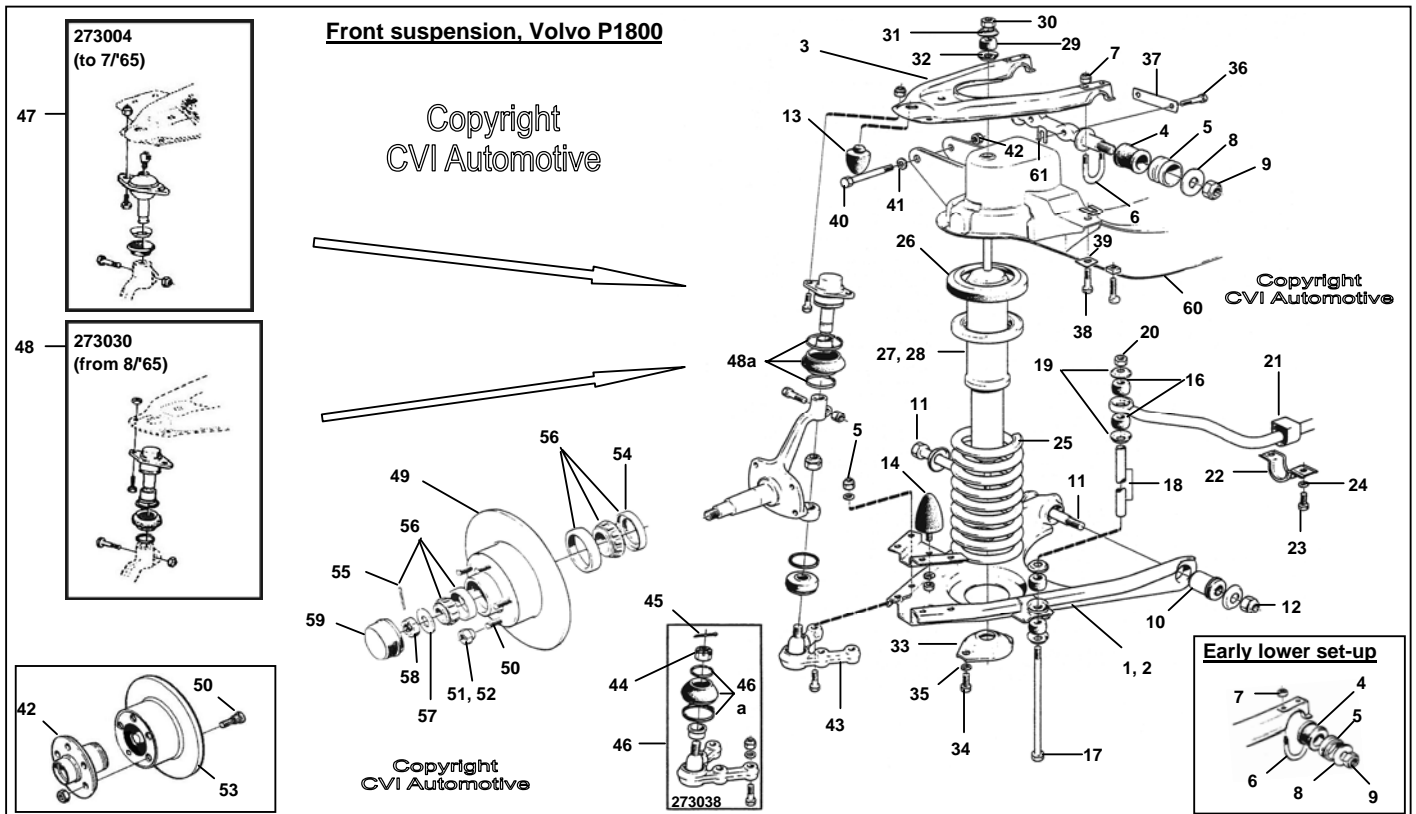


REAR AXLE SUSPENSION, 1966-1973

<b>Part#</b>			
672610	(25.)	Suspension arm (with bushes)	
672609-1	(25.)	Suspension arm, supplied <u>without</u> bushes	
662797	(26.)	Bush, front	
955569	(27.)	Bolt	
950356	(28.)	Nut	
675771	(29.)	Bushing (ch. 16500 - 25668)	(proper genuine)
675771-1	(29a.)	Bushing (ch. 16500 - 25668)	(current genuine)
678887	(30.)	Bushing (ch. 25669-)	(R)
941858	(31.)	Bolt	
950377	(32.)	Nut for 941858	
672616	(33.)	Torque rod	
672226	(34.)	Bush, front & rear (ch. 16500 - 25668)	
678790	(35.)	Bush, front & rear (ch. 25669-)	
955569	(36.)	Bolt for above (front and rear)	
950356	(37.)	Nut	
940280	(40.)	Spring washer	
	<b>Panhard rod parts</b>	<b>Same as above</b>	
276553	(41.)	Shock absorber + fittings	(2/car)
BIL AR	(41.)	Bilstein gas shock, rear	(2/car)
670129	(41a)	Rubber cushion (NB. incl in 276552/53)	
657843	(42.)	Rear spring	(genuine)
659154	(43.)	Spring seat, lower	
667686	(44.)	Rubber cushion, under spring seat	
668777	(45.)	Spring seat, upper	NLA
659325	(46.)	Rubber insert	
83108	(47.)	Rubber buffer, above spring	(genuine)
83107	(48.)	Rubber cushion (D = 37)	
663989	(48.)	Rubber buffer for axle (D = 45)	NLA



<u>Part#</u>			<u>Part#</u>		
671351	(1.)	Lower wishbone (lh)	955550	(36.)	Bolt
671352	(2.)	Lower wishbone (rh)	942942	(37.)	Washer
671440	(3.)	Upper wishbone (from August 1965)	955562	(38.)	Bolt
87033	(4.)	Rubber bush (lower up to ch# -7999 only)	672068	(39.)	Washer
653410	(5.)	Sleeve (genuine)	955572	(40.)	Bolt
653409	(6.)	U bolt (genuine)	955898	(41.)	Washer 8/axle
950354	(7.)	Lock nut	950356	(42.)	Nut
120802	(8.)	Washer	1210298	(43.)	Lower ball-joint See 273038
950366	(9.)	Lock nut (special low nut)	190142	(44.)	Castle nut
663675	(10.)	Lower inner wishbone bush, ch. 8000-	907849	(45.)	Split pin
192113	(11.)	Bolt for bush (long)	273038	(46.)	Lower ball-joint kit (for one side: incl bolts/nuts) Rubber cover, for lower ball-joint (with lock rings)
950357	(12.)	Nut	672792		
83107	(13.)	Rubber cushion, upper wishbone	273004	(47.)	Upper ball-joint kit, to July 1965 <i>(Now in old-style genuine with lubricator nipple on top)</i>
662203	(14.)	Rubber buffer, lower wishbone			
83125*	(16.)	Anti-roll bar bush (8 per car)	273030	(48.)	Upper ball-joint kit (incl fittings+48a), Aug 1965-
191707	(17.)	Bolt for anti-roll bar	672788	(48a.)	Rubber cover, for upper ball-joint (with lock rings)
657841*	(18.)	Spacer tube (must shorten)	666525	(49.)	Brake disc -ch# 30000 (genuine, w. hub & bolts)
83126*	(19.)	Washer	657874	(50.)	Wheel bolt (included on complete disc)
955826*	(20.)	Nut	87699	(51.)	Wheel nut
<b>*273239-1</b>		<b>Anti-roll bar kit, for 1 side (15.-19.)</b>			
657839	(21.)	Anti-roll bar bush, front (2 per car)	682304	(53.)	Brake disc, 1800E/ES See 270733
672217	(22.)	Clamp			
940114	(23.)	Bolt	88640	(54.)	Inner grease seal
955950	(24.)	Star washer	907849	(55.)	Split pin
653184	(25.)	Spring (genuine)	273160	(56.)	Wheel bearing kit (1 wheel) (includes 88640)
653642	(26.)	Rubber seal, on spacer washer	1161241		Tube of grease (80 g - genuine)
276552	(27.)	Shock absorber (incl. nos. 29-32)	87464	(57.)	Thrust washer
BIL AF	(28.)	Bilstein front gas shock absorber (2/car)	153042	(58.)	Nut
670129	(29.)	Rubber cushion, shock absorber fitting	87465	(59.)	Grease cap
955848	(30.)	Nut	664292	(60.)	Front cross-member, Jensen -ch 7999
87741	(31.)	Washer	670051	(60.)	Front cross-member, 1800S ch 8000-28299
89328	(32.)	Washer	682103	(60.)	Front cross-member, 1800S 1969 + E/ES
660088		Lower anchorage, early type NLA	654106	(61.)	Adjuster shim, thickness 0,15
672228	(33.)	Lower anchorage, late type	654107	(61.)	Adjuster shim, thickness 0,50
955523	(34.)	Bolt	654105	(61.)	Adjuster shim, thickness 1,00
955949	(35.)	Star washer	658769	(61.)	Adjuster shim, thickness 3,00
			658770	(61.)	Adjuster shim, thickness 6,00

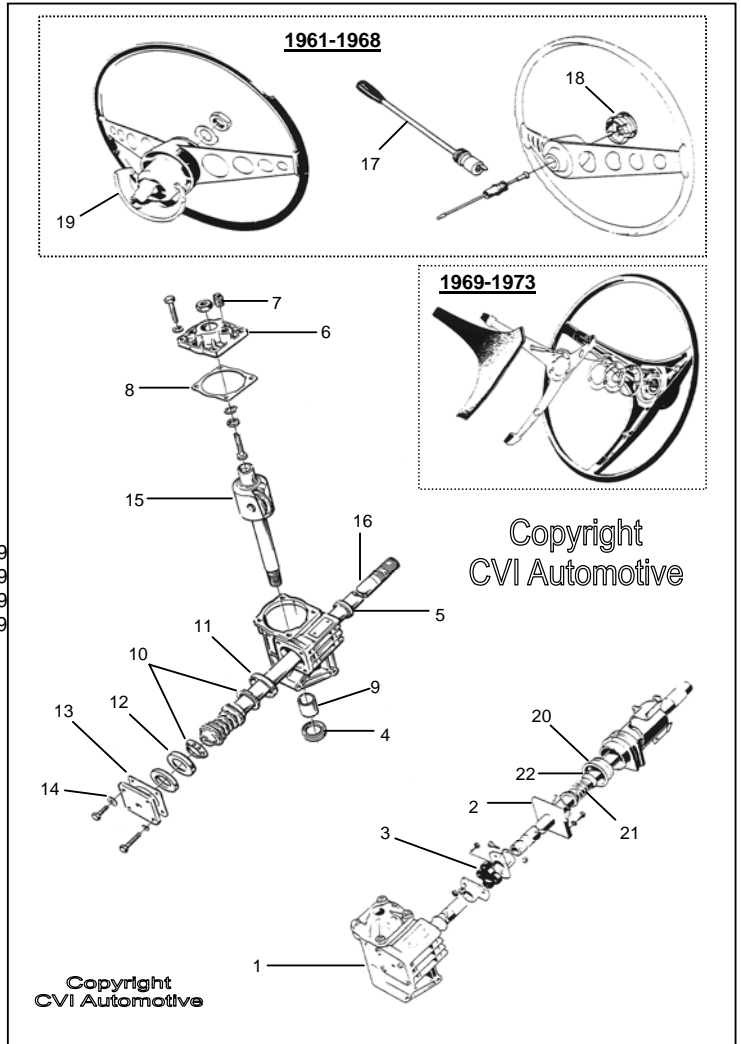


<b>Part#</b>			
250085 (ER	(1.)	Steering-box (LHD), 1961-1969	(exchange) Call
250086 (ER	(1.)	Steering-box (RHD), 1959-1967	(exchange) Call
250143 (ER	(1.)	Steering-box (LHD), 1968-1970	(exchange) Call
250144 (ER	(1.)	Steering-box (RHD), 1968-1970	(exchange) Call

654011	(2.)	Sealing collar, on steering column	
664428	(3.)	Coupling	
114271*	(4.)	Oil seal, lower	
678249*	(5.)	Oil seal, upper (Stefa double-lipped genuine)	
659214	(6.)	Lid (1961-1969)	
180764	(7.)	Oil filler plug (1961-1969)	
678240	(6.)	Lid (1970-1973)	
678241	(7.)	Oil filler plug (1970-1973)	
656704*	(8.)	Gasket under lid	
85627*	(9.)	Bush for Pitman arm shaft (2 per box)	
85618	(10.)	Bearing	
85616	(11.)	Bearing cup, upper	
85617	(12.)	Bearing cup, lower	
656707*	(13.)	Adjuster shim, 0.10 thickness	Kit 54929
656708*	(13.)	Adjuster shim, 0.12 thickness	Kit 54929
656709/10	(13.)	Adjuster shim, 0.15/0.30 thickness	Kit 54929
190296*	(14.)	Lock washer, with bendable tab (genuine)	Kit 54929

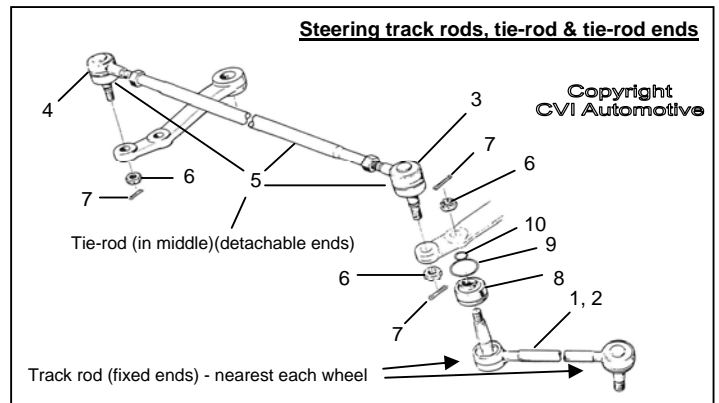
**\*54929 Steering-box re-bushing set (complete)**  
**54929-1 Steering-box set (less shims/tab washers)**

662349	(15.)	Pitman arm shaft (LHD)	Call
662350	(15.)	Pitman arm shaft (RHD)	Call
662347	(16.)	Steering worm, LHD (up to 1969)	Call
662348	(16.)	Steering worm, RHD (up to 1969)	Call
682630	(16.)	Steering worm (1970-1973)	Call
664478	(17.)	Switch for horn ('61-'64), for overdrive ('65-'69)	
664477-1	(18.)	Horn button (offered without chrome)	
665108	(19.)	Housing for indicator arm	
85611	(20.)	Bearing	
85612	(21.)	Spring	
85613	(22.)	Seat	



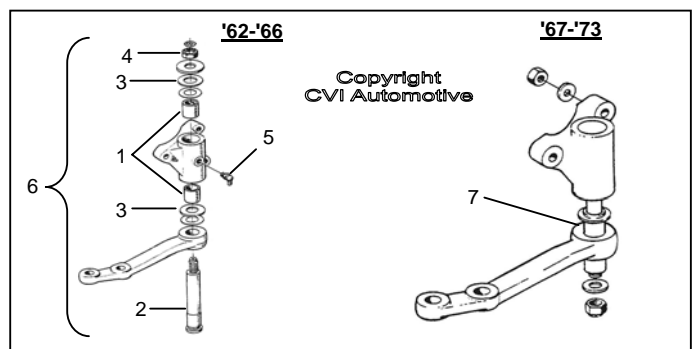
**STEERING TRACK RODS AND TIE-RODS**

<b>Part#</b>		
658596	(1.)	Track rod (lhs)
658597	(2.)	Track rod (rhs)
658431	(3.)	Tie-rod end, lhs
658432	(4.)	Tie-rod end, rhs
660979-1	(5.)	Tie-rod (with tie-rod ends - German-made)
190573	(6.)	Castellated nut (included on track/tie rods)
907824	(7.)	Split pin
670877	(8.)	Rubber dust cover, with lock rings 9/10



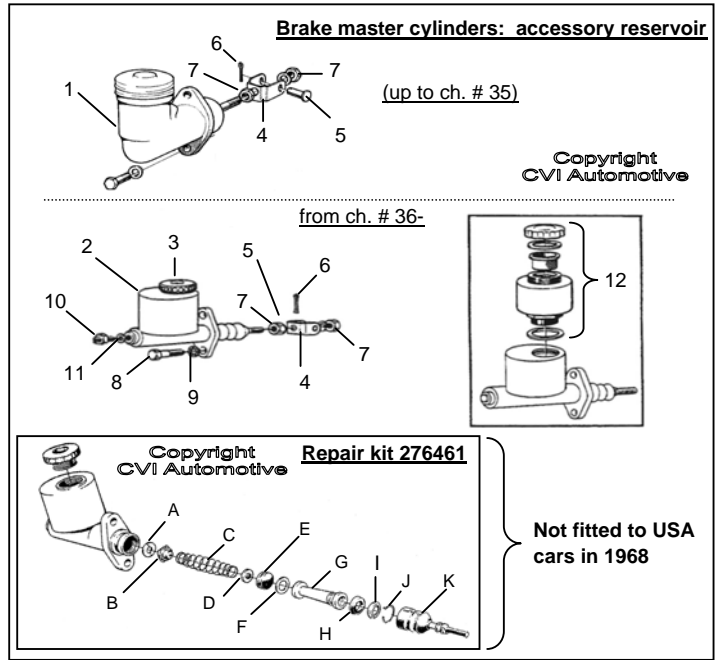
**IDLER ARM**

<b>Part#</b>			
54928		Repair kit for early idler arm (to 1961)	Call
663709	(1.)	Bush for idler arm ('62-'66)	
666402	(2.)	Shaft	
669255	(3.)	Vulcollan washer	
950356	(4.)	Nut	
914170	(5.)	Grease nipple	
<b>276521</b>	(6.)	<b>Repair kit for idler arm (1962-1966) (1-5)</b>	
671444	(7.)	Bush for idler arm, 1967-'73 (genuine)	
671444-1	(7.)	Bush (non-gen.) (R)	

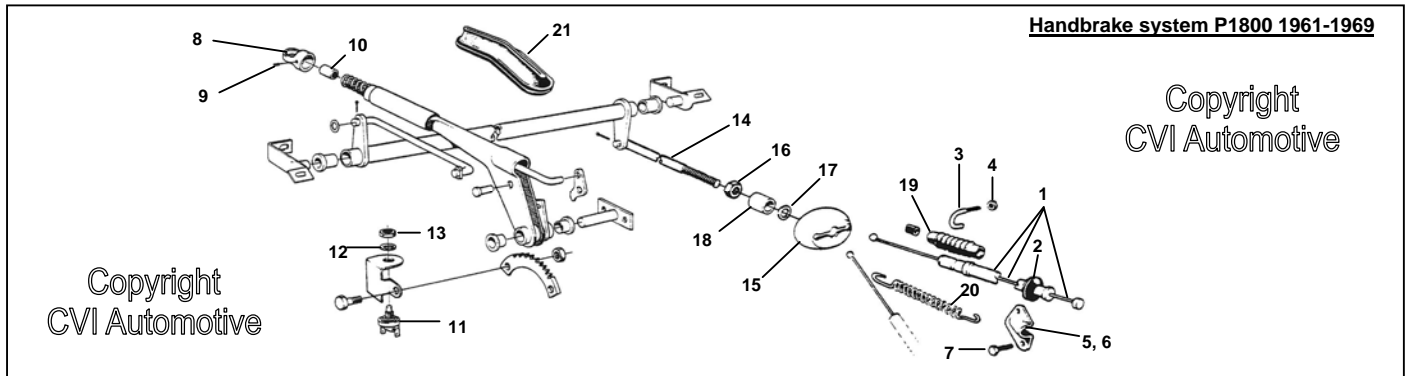


**Brake master cylinders and Repair kits**

- Part#** **up to chassis # 35:**
- 655879 (1.) Brake master cylinder (up to ch# 35) NLA  
276405 Repair kit (genuine)
- from chassis # 36:**
- 662186 (2.) Brake master cylinder, B18 (from ch# 36)  
666144 (3.) Filler cap
- 276461 Repair kit, genuine, no piston (A-F + H-K)  
276461-X Repair kit, genuine & complete (A-K)  
276461-1 Rep. kit (seals+valve genuine) (B, E, F, H, K)
- (NB.: 276461 -1 is what most of our competitors offer, but not with genuine parts. Seal H is also included in both early and late format - early type is narrower than late where it fits on the piston)
- 64947011 Brake grease for cylinder overhaul  
672917 (4.) Yoke (renew if bolt holes are oval)  
913128 (5.) Clevis pin  
907824 (6.) Split pin  
955847 (7.) Nut  
940135 (8.) Bolt  
955949 (9.) Lock washer  
190279 (10.) Screw union  
18665 (11.) Copper washer
- 672425 Brake light switch (R)  
672769 (12.) Accessory reservoir, complete (R)  
( semi-transparent - easy fluid level detection!)



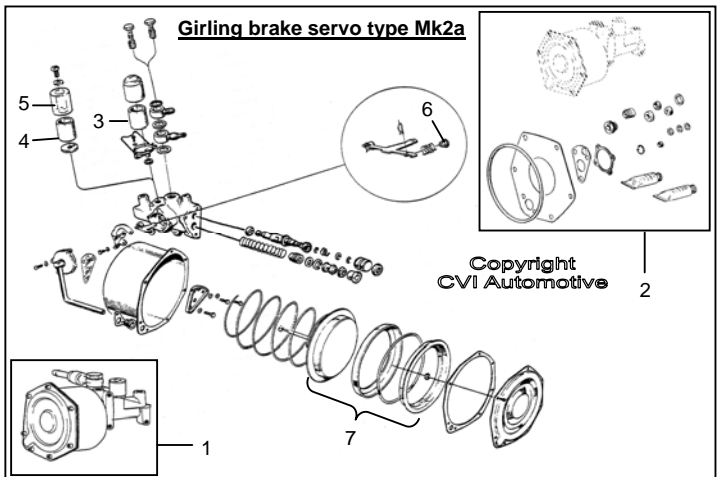
**Handbrake system, to 1969**

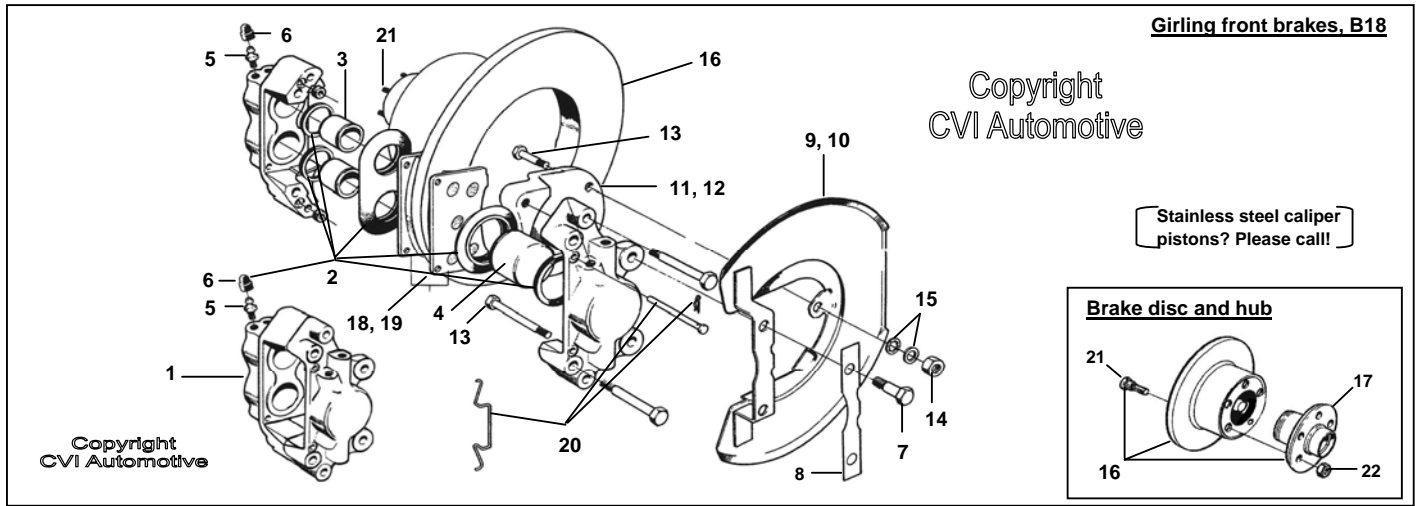


- |              |  |             |              |  |         |
|--------------|--|-------------|--------------|--|---------|
| <b>Part#</b> | (1.) Handbrake cable, genuine                  | (2/car)     | <b>Part#</b> | (11.) Contact switch (USA '68 only)                      | (1/car) |
| 682922       | (2.) Rubber grommet                            | (2/car)     | 672995       | (12.) Lock washer (USA '68)                              | (1/car) |
| 656785       | (3.) Clamp (U-bolt), cable to body             | (2/car)     | 940143       | (13.) Nut (USA '68)                                      | (1/car) |
| 80969        | (4.) Lock nut                                  | (2/car)     | 942914       | (14.) Pull rod   | (1/car) |
| 950373       | (5.) Clamp, cable to backplate, lh (stainless) | (1/car)     | 666420       | (15.) Draw brace   | (1/car) |
| 658843       | (6.) Clamp, cable to backplate, rh (stainless) | (1/car)     | 666418       | (16.) Nut  | (2/car) |
| 658844       | (7.) Screw                                     | (4/car) NLA | 955826       | (17.) Washer   | (2/car) |
| 191260       | (8.) Plastic brace on h'brake lever            | (1/car)     | 955894       | (18.) Spacer sleeve                                      | (1/car) |
| 660651       | (9.) Screw                                     | (1/car)     | 667889       | (19.) Dust cover (NB: <u>included</u> on complete cable) | (1/car) |
| 191030       | (10.) Button                                   | (1/car)     | 656945       | (20.) Return spring                                      | (1/car) |
| 654980       |  |             | 653625       | (21.) Rubber seal (in floor)                             | (1/car) |
|              |  |             | 665236       |  |         |

**Brake servos (boosters) and Repair kit (B18)**

- Part#**
- 670921 (1.) Brake servo, Girling MK2a NLA
- 276556 (2.) Repair kit, Girling servo (with instructions)
- 662781 (3.) Filter element, early servo with brace lock
- 671076 (4.) Filter element, later servo (screw-down type)
- 671077 (5.) Filter cover, later servo
- 669590 (6.) Valve on "T"-piece
- 662775 (7.) Piston (rebuilt modernised type - see the CVI website for photo - sold on exchange only)
- 943707 Servo hose
- 6894157 Lockheed servo kit (see website for details)**  
(replaces original Girling servo)





**Part#**

- 670728 (1.) Brake caliper, exchange reconditioned, lhs
- 670729 (1.) Brake caliper, exchange reconditioned, rhs
- Stom-OK *Core charge (refundable)*
- 276489 (2.) Repair kit (seals) for 2 calipers
- 667593 (3.) Piston, small (2/caliper)
- 667592 (4.) Piston, large (1/caliper)
- 664823 (5.) Bleed nipple
- 656456 (6.) Dust cover

**276489-OK Overhaul kit (for 2 calipers) (contains pistons, seals, bleed nipples)**

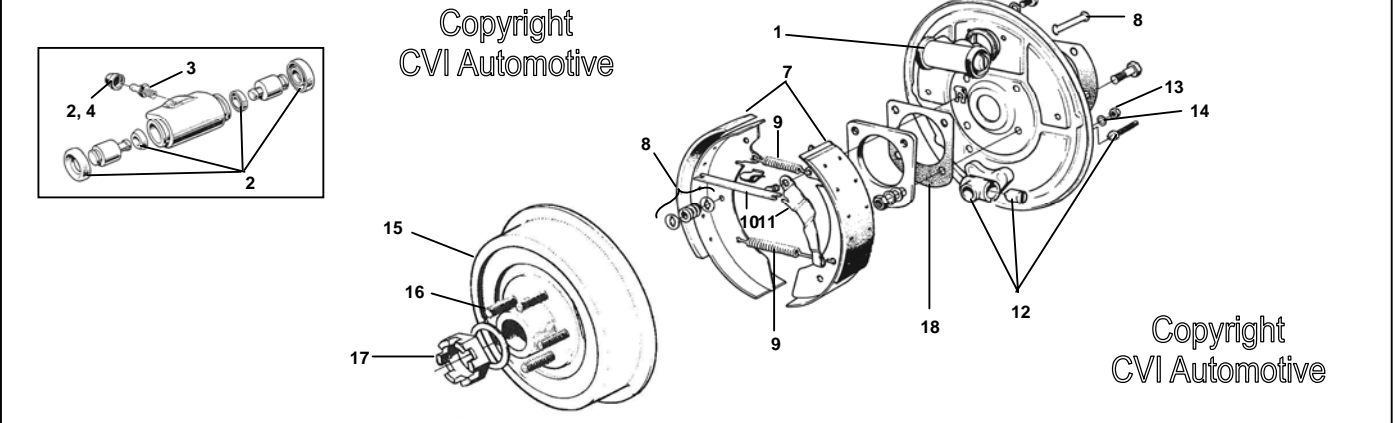
- 668905 (7.) Bolt for fitting of caliper (2/caliper)
- 669012 (8.) Lock washer (with bendable tabs)
- 668333 (9.) Backplate, lhs
- 668334 (10.) Backplate, rhs

**Part#**

- 666528 (11.) Bracket, later type, lh (2nd-hand only)
- 666529 (12.) Bracket, later type, rh (2nd-hand only)
- FK-008 (13-15) Fitting kit, backplate to stubaxle
- 666525 (16.) Brake disc, genuine (fits from ch # 7000-) (fits earlier cars provided caliper brackets (nos. 11 & 12) are changed to later type)
- 667238 (17.) Hub for brake disc (genuine)
- 275819 (18.) Brake pad set for 2 calipers, up to ch# 6999 (please check calipers haven't been updated!!!)
- 270987 (19.) Brake pad set, both calipers, ch 7000-
- 272691 (20.) Fitting kit, for both calipers
- 657874 (21.) Wheel bolt
- 87699 (22.) Wheel nut

**Rear Brakes, P1800/S 1961-1968 Girling single-circuit system: Rear Drums**

**P1800 rear brakes, B18 (Girling)**



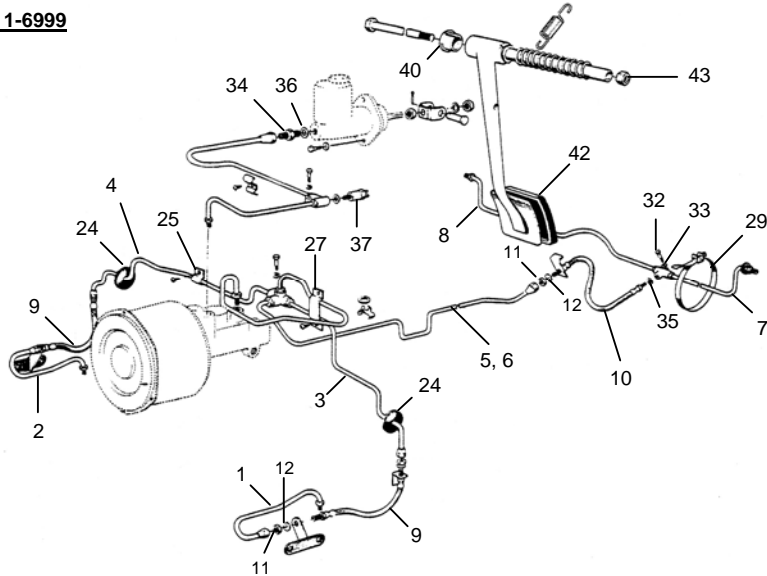
**Part#**

- 670404 (1-3.) Wheel cylinder, 7/8" (NB. Not for 1800S USA 1968 - see later)
- 276407 (2.) Repair kit, genuine (even for cyl. 662513)
- 276574 (2.) Repair kit, gen. (cyl. 671207, june '64-june '65)
- 656455 (3.) Bleed nipple for cylinders
- 656456 (4.) Dust cover for nipple
- 662518 (5.) Screw, cylinder to backplate (R)
- 940155 Lock washer
- 271814 (7.) Brake shoe set, rear, '62-'70 (genuine)
- 64947012 Copper paste for fitting brake shoes (2 oz)
- 273171-1 (8-9.) Fitting kit, with return springs (Q503)

**Part#**

- 671201 (10.) Link
- 671202 (11.) Lever, lhs (rhs NLA)
- 668667 (12.) Brake adjuster unit
- 955846 (13.) Nut (for brake adjuster)
- 940155 (14.) Lock washer
- FK-009 Fitting kit for 1 brake backplate
- 673797 (15.) Brake drum, genuine (with hub)
- 654490 (16.) Wheel bolt
- 87699 Wheel nut
- 153031 (17.) Castle nut for drum
- 191174 Split pin for castle nut
- 673788 (18.) Gasket (2 per wheel) (See "rear axle")
- 9991791R Hub-puller, for removal of rear drum

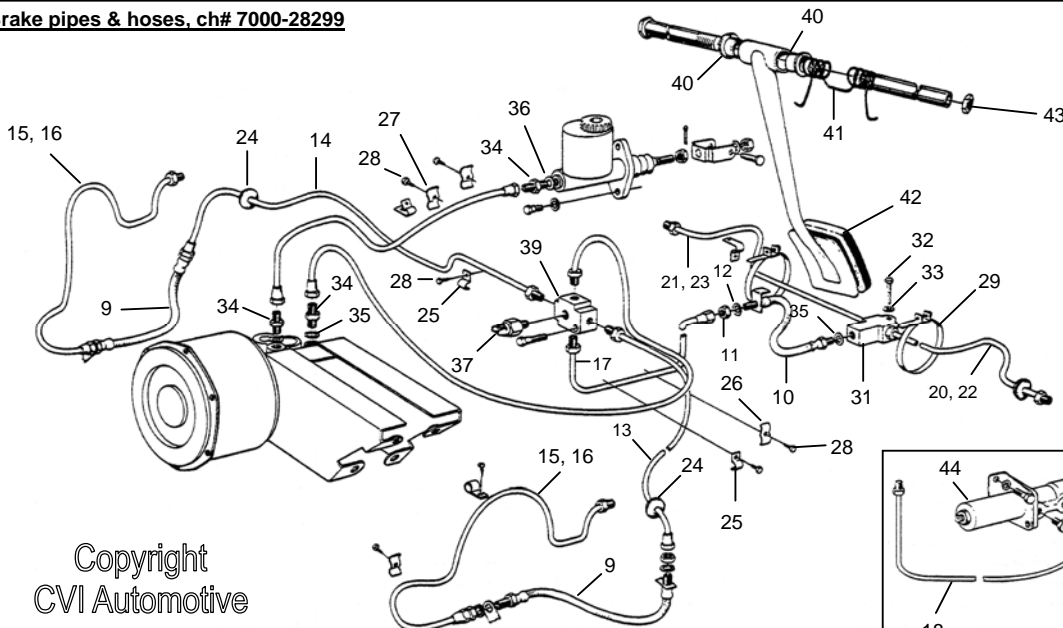
**Brake pipes & hoses, ch# 1-6999**



Copyright  
CVI Automotive

665008	(1.)	Brake pipe	lh front outer	(-ch # 6999)	Call	121572	(26.)	Clamp	(double)	
665009	(2.)	Brake pipe	rh front outer	(-ch # 6999)	Call	677980	(27.)	Clamp	(triple)	
665003	(3.)	Brake pipe	lh front inner	(-ch # 6999)	Call	190665	(28.)	Screw		
665004	(4.)	Brake pipe	rh front inner	(-ch # 6999)	Call		(29.)	Clamp around axle	(formerly 18363)	
665005	(5.)	Brake pipe	front to back	(ch # 1-3198)	Call	18355				
665005-1	(6.)	Brake pipe	front to back	(3199-6999)	Call		(30.)	Three-way union	(-ch# 6979)	NLA
665006	(7.)	Brake pipe	lh rear	(-ch # 6999)	Call	664803	(31.)	Three-way union		
665007	(8.)	Brake pipe	rh rear	(-ch # 6999)	Call	87696	(32.)	Screw		
						955640	(33.)	Spring washer		
664800	(9.)	Brake hose, front		(genuine)		955920				
670201	(10.)	Brake hose, rear		(Girling)						
955858	(11.)	Nut				190279	(34.)	Screw union		
955950	(12.)	Star washer				18651	(35.)	Copper washer		
						18665	(36.)	Copper washer		
670738	(13.)	Brake pipe	lh front inner	(ch # 7000-)	Call		(37.)	Brake warning light switch	(-ch# 6999)	NLA
670736	(14.)	Brake pipe	rh front inner	(ch # 7000-)	Call	664804	(38.)	Brake warning light switch	(ch# 6980-)	NLA
669034/35	(15.)	Brake pipe	lh/rh front outer	(7000-12436)	Call	672425				
671808/09	(16.)	Brake pipe	lh/rh front outer	(ch# 12437-)			(39.)	5-way union		NLA
670200	(17.)	Brake pipe	front to back	(7000-16499)	Call	653777				
672053	(18.)	Brake pipe	front to valve	(ch# 16500-)	Call	659048	(40.)	Pedal bushing		
672054	(19.)	Brake pipe	valve to union	(ch# 16500-)	Call	663389	(41.)	Return spring		
659979	(20.)	Brake pipe	lh rear	(7000-16499)		653238	(42.)	Pedal rubber	(R)	
660013	(21.)	Brake pipe	rh rear	(7000-16499)	Call	950406	(43.)	Nut	(now 950366)	
672051	(22.)	Brake pipe	lh rear	(ch# 16500-)			(44.)	Pressure reduction valve, from ch# 16500		NLA
672052	(23.)	Brake pipe	rh rear	(ch# 16500-)		671894	(45.)	Repair kit	Not currently available	
						273104		Pressure red valve, universal & adjustable		
665038	(24.)	Rubber grommet		(R)		671894-1		(NB. This looks nothing like the original item - see website)		
18335	(25.)	Clamp	(single)							

**Brake pipes & hoses, ch# 7000-28299**

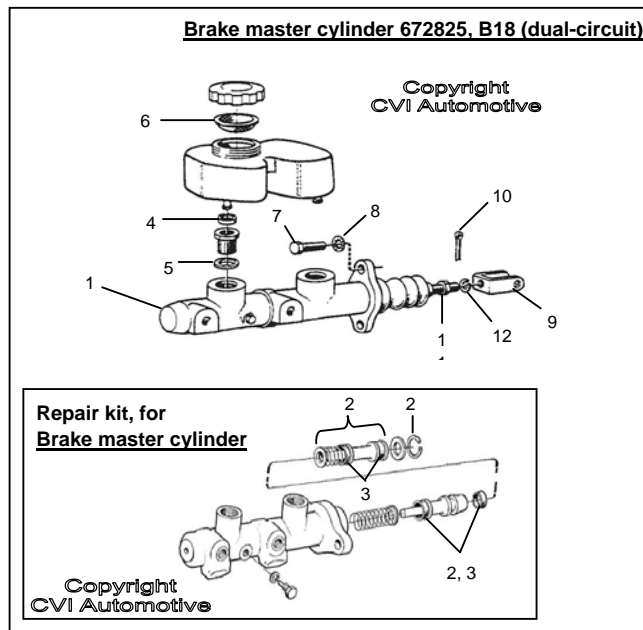


Copyright  
CVI Automotive

Copyright  
CVI Automotive

**Brake master cylinder**

<b>Part#</b>			
672825	(1.)	Brake master cylinder	(R)
273076	(2.)	Repair kit (genuine, with piston)	
273076-1	(3.)	Repair kit (seals only)	
64947011		Red brake grease for cylinder overhaul	
678237	(4.)	Rubber sleeve	(2/car)
18677	(5.)	Washer (gasket)	
681659	(6.)	Strainer	
940135	(7.)	Bolt	
955949	(8.)	Lock washer	
672917	(9.)	Yoke (not for automatic cars)	
913128		Clevis pin for yoke	
907824	(10.)	Split pin	
955847	(11.)	Nut	
955921	(12.)	Spring washer	

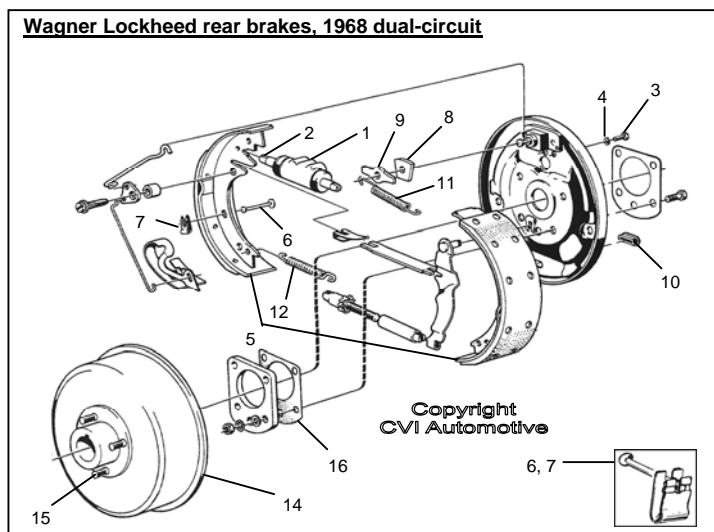


**Front brakes:** See "Girling System: front brakes" - Page 37

**Handbrake System:** See Page 36

**Rear Drum Brakes - 1968 Dual-Circuit**

<b>Part#</b>			
667166	(1.)	Wheel cylinder	
273024		Repair kit (with return spring)	
64947011		Red brake grease for cylinder overhaul	
87462		Bleed nipple, on wheel cylinders	
656456		Dust cover for nipple	
659676	(2.)	Pushrod (2/cyl.)	
955512	(3.)	Screw, wheel cyl. to backplate	
955920	(4.)	Lock washer	
271813	(5.)	Brake shoe set, 1 axle (genuine)	
659663K	(6/7.)	Guide pin and clip set, for one axle	
64947012		Copper paste for fitting brake shoes (2 oz)	
669916	(8.)	Guide washer (arrow must point forwards)	
659670	(9.)	Retainer (second-hand only)	NLA
659672	(10.)	Rubber plug, for adjuster hole	
273172		Guide pin kit (1 axle): 659663/64 + 669916 + 659672	
667160	(11.)	Return spring, upper	
659668	(12.)	Return spring, lower	
88830	(13.)	Clip, for handbrake lever on trailing shoe	



<b>Part#</b>		
673797	(14.)	Brake drum, genuine (with hub)
9991791R		Hub-puller, for removal of rear drum
654490	(15.)	Wheel bolt
87699		Wheel nut
673788	(16.)	Gasket (2 per wheel) (See "rear axle")

**Brake Servo (booster):** See Page 36

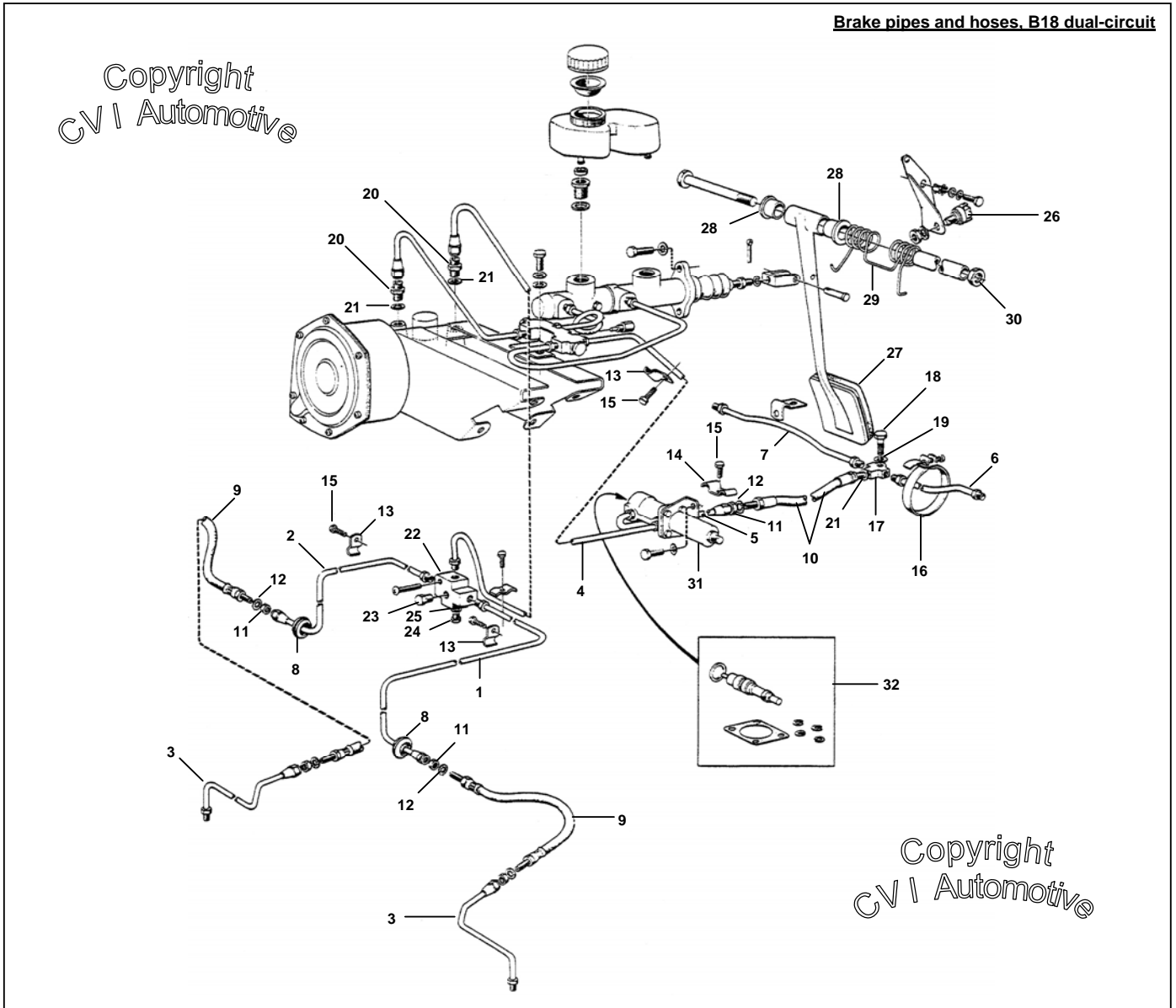
(NB. Fitted to cars exported mainly to the USA, in 1968)

**Brake Hoses, Pedal rubbers, Brake light switch, Reduction valve**

<u>Part#</u>				<u>Part#</u>			
670738	(1.)	Brake pipe	lh front inner	Call	190279	(20.)	Screw union
670736	(2.)	Brake pipe	rh front inner	Call	18651	(21.)	Copper washer
671808/09	(3.)	Brake pipe	lh/rh front outer			(22.)	5-way union
673011	(4.)	Brake pipe	front to valve	Call	653777		NLA
672054	(5.)	Brake pipe	valve to union	Call		(23.)	Plug
672051	(6.)	Brake pipe	lh rear		191026	(24.)	Plug
672052	(7.)	Brake pipe	rh rear		679715	(25.)	Copper washer
					192026		NLA
665038	(8.)	Rubber grommet	(R)			(26.)	Brake light switch
					679364		
664800	(9.)	Brake hose, front	(genuine)			(27.)	Pedal rubber
670201	(10.)	Brake hose, rear	(Girling)		653238		(R)
955858	(11.)	Nut				(28.)	Pedal bushing
955950	(12.)	Lock washer			659048	(29.)	Return spring
					663389	(30.)	Nut
18335	(13.)	Clamp	(single)		950406		(now 950366)
121572	(14.)	Clamp	(double)				
190665	(15.)	Screw					
18355	(16.)	Clamp around axle	(formerly 121585)		672969	(31.)	Pressure reduction valve
					273104	(32.)	Repair kit for original valve
							Not currently available
87696	(17.)	Three-way union			671894-1		Pressure red valve, universal & adjustable
955640	(18.)	Screw					
955920	(19.)	Spring washer					

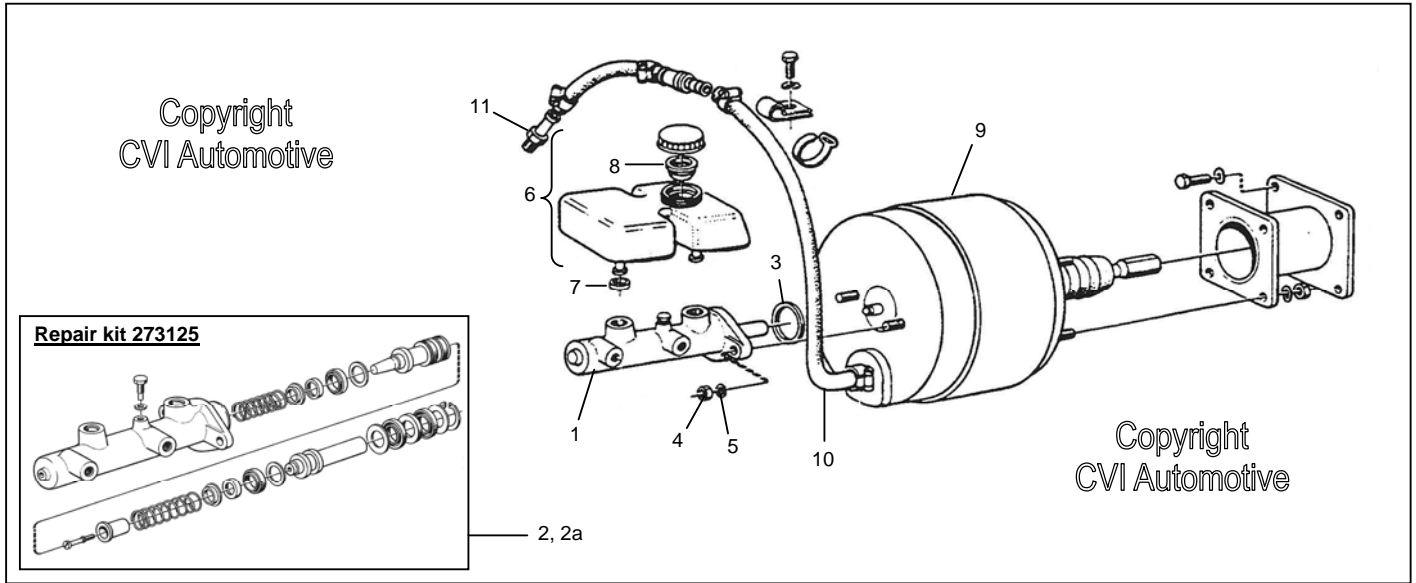
(NB. This looks nothing like the original item - see website)

**Brake pipes and hoses, B18 dual-circuit**



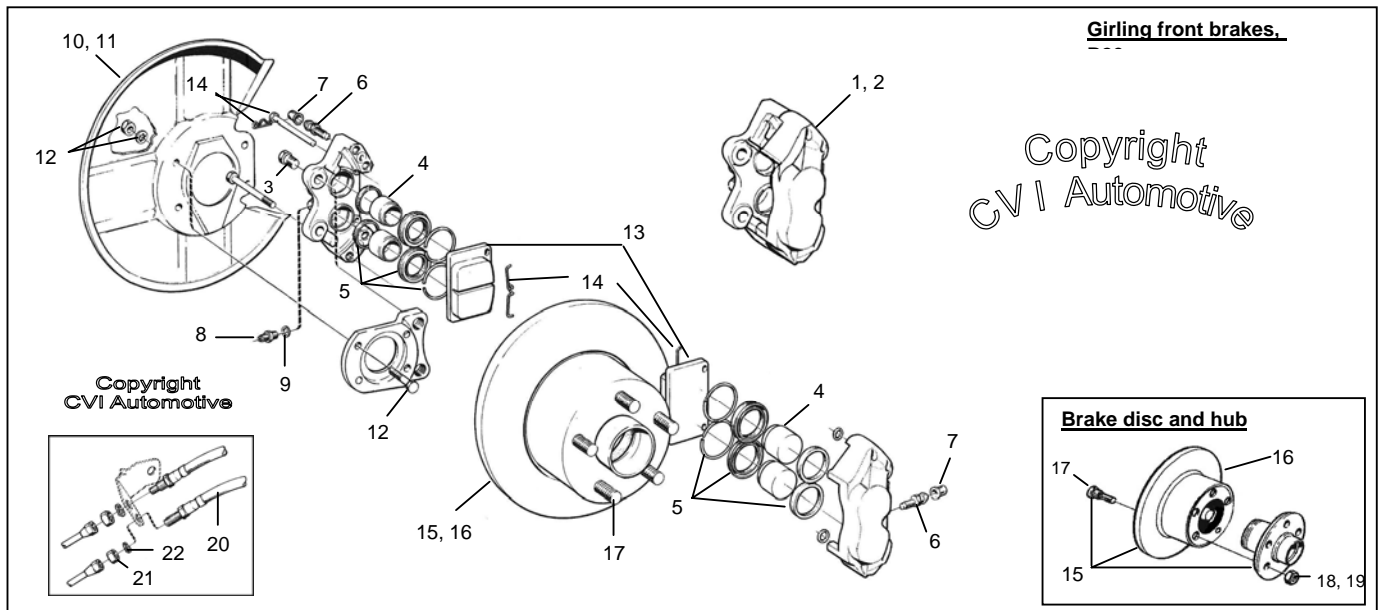


**Brake Master Cylinder (LHD & RHD) and Servo (exchange only)**



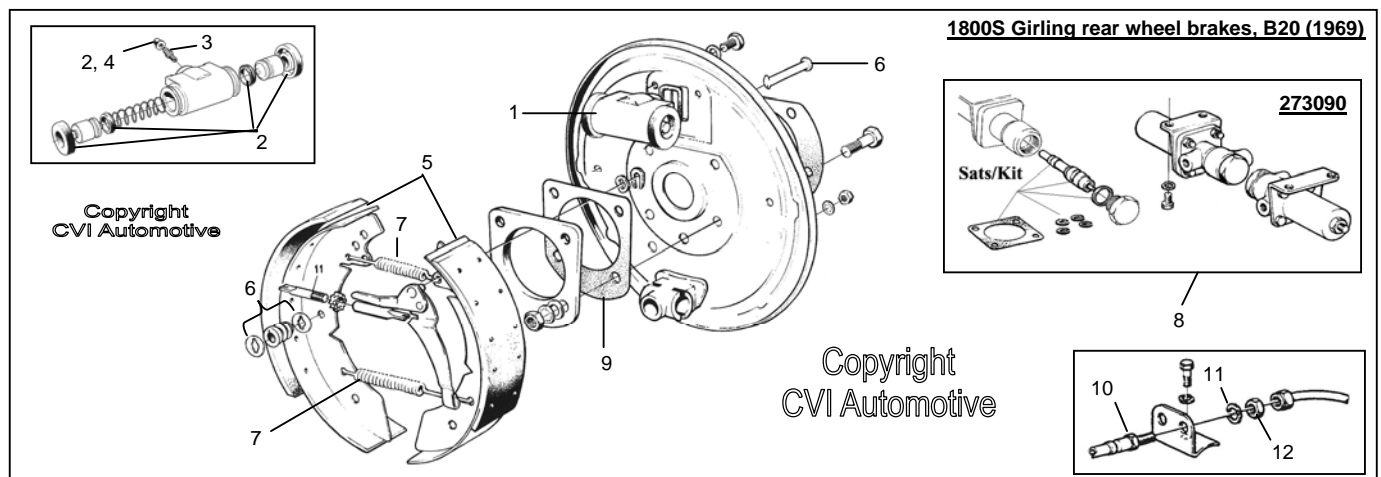
<u>Part#</u>			<u>Part#</u>		
673766	(1.)	Brake master cylinder, genuine	673767	(6.)	Brake fluid reservoir
273125	(2.)	Repair kit (with pistons)	678237	(7.)	Rubber grommet (2 per car)
273125-1	(2a.)	Repair kit (R) (seals only)	681659	(8.)	Strainer, under filler cap
64947011		Red brake grease for cylinder overhaul	673768	(9.)	Brake servo NLA
680906	(3.)	Rubber ring	1037		Decal (ATE T51) on brake servo
955782	(4.)	Nut	943707	(10.)	Servo hose
955921	(5.)	Spring washer	943199	(11.)	Nipple

**Footbrake system, Front Brakes (B20)**



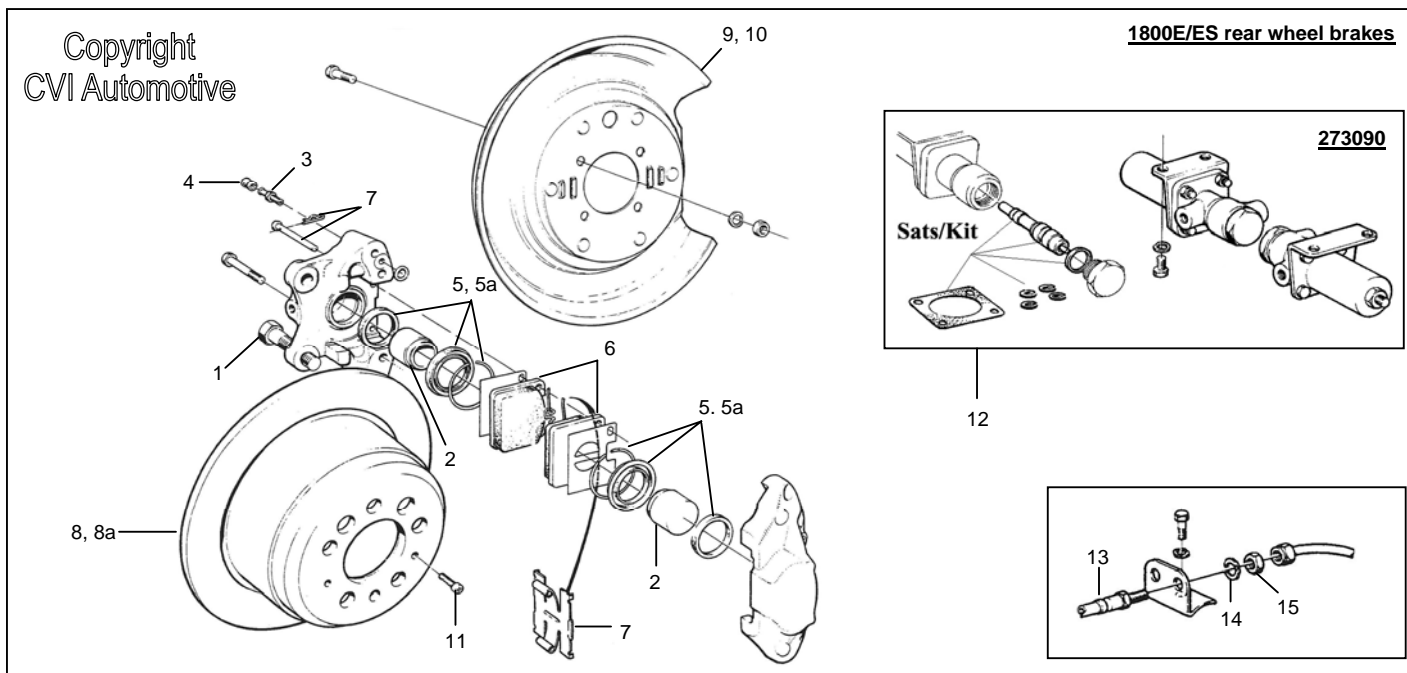
<b>Part#</b>		<b>Part#</b>	
684432	(1.) Brake caliper, <u>exchange</u> reconditioned, lhs	271739	(13.) Brake pad set (2 wheels) (genuine)
684433	(2.) Brake caliper, <u>exchange</u> reconditioned, rhs	271739-1	(13.) Brake pad set (2 wheels) (R)
Stom-OK			
943506	(3.) Bolt, caliper to bracket	272691	(14.) Fitting kit (for both calipers)
678142	(4.) Piston (4 per caliper)		
		666525	(15.) Brake disc, genuine (with hub), <u>1969 only</u>
273071-1	(5.) Repair kit (seal kit) for 1 caliper	270733	(16.) Brake disc, 1800E/ES (ref: 682304)
678155	(6.) Bleed nipple (3 per caliper)	657874	(17.) Wheel bolt
656456	(7.) Dust cover (incl. in rep. kit 273071-1)	87699	(18.) Wheel nut (up to 1969)
190279	(8.) Screw union, for pipe into caliper	688984	(19.) Chromed wheel nut, 1800E/ES NLA
18651	(9.) Copper washer	671799	(20.) Brake hose, front (4/car)
673773	(10.) Backplate, lhs		
673774	(11.) Backplate, rhs	955858	(21.) Nut for hose
FK-008	(12.) Fitting kit, backplate to stub axle (2/car)	942366	(22.) Washer for hose

**Footbrake system, Rear Brakes (B20, 1969 only)**



<b>Part#</b>		<b>Part#</b>	
673731	(1.) Wheel cylinder (for 1969 model year only)	673797	Brake drum, genuine ( <u>with</u> hub)
273275	(2.) Repair kit, <u>genuine</u> , for two cyls. (273167)	679364	Brake light switch
273275-1	(2.) Repair kit, for one cylinder (R)	273090	(8.) Repair kit for reduction valve ( <u>excls.</u> piston)
678155	(3.) Bleed nipple	673788	(9.) Gasket (2 per wheel) (See "rear axle")
656456	(4.) Dust cover for bleed nipple		
271814	(5.) Brake shoe set (1 axle) (genuine)	670201	(10.) Brake hose, rear (Girling) (2/car)
273171-2	(6-7) Fitting kit (incl. return springs) (Q504)	942336	(11.) Spring washer
		955858	(12.) Nut

**Footbrake system, rear, Volvo 1800E/ES 1970 - 1973**

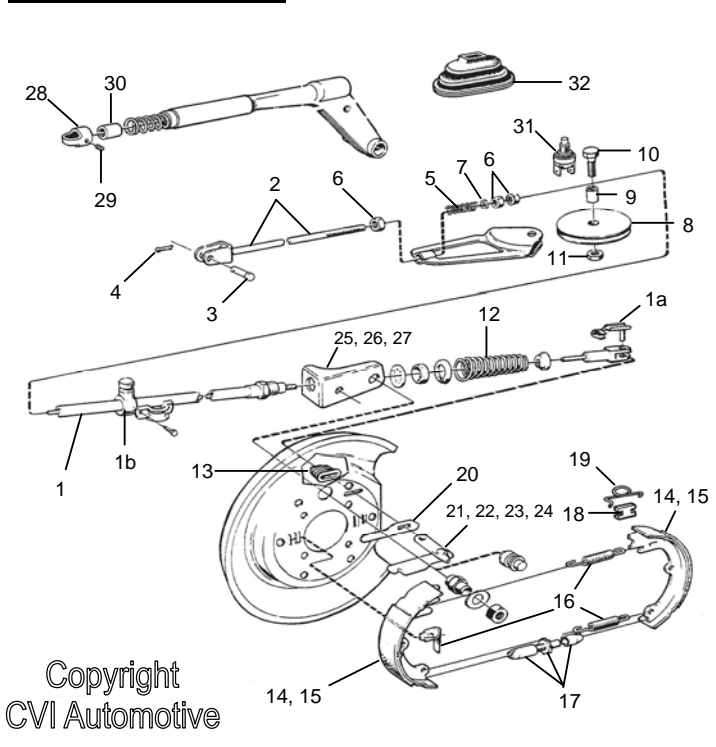


685324	Caliper, exchange reconditioned (lhs)	676812	<b>(8.)</b> Brake disc	(repro)
685325	Caliper, exchange reconditioned (rhs)	270731	<b>(8a.)</b> Brake disc	(genuine)
Stom-ok	Core charge (refundable)	1206482	<b>(9.)</b> Backplate, lhs	
943507	<b>(1.)</b> Bolt (2 per caliper)	1206483	<b>(10.)</b> Backplate, rhs	
685331	<b>(2.)</b> Piston	950045	<b>(11.)</b> Screw	
678155	<b>(3.)</b> Air bleed nipple	273090	<b>(12.)</b> Repair kit, reduction valve	(2/car)
656456	<b>(4.)</b> Rubber cover (incl. in repair kit 273114)		(excludes piston)	
273114	<b>(5.)</b> Repair kit for 2 calipers	670201	<b>(13.)</b> Brake hose, rear (Girling)	(2/car)
273114-1	<b>(5a.)</b> Repair kit for 1 caliper	942336	<b>(14.)</b> Spring washer	(4/car)
270164	<b>(6.)</b> Brake pad set, genuine	958858	<b>(15.)</b> Nut	(4/car)
272641	<b>(7.)</b> Fitting kit for pads (w. vibration damper)			

**Handbrake system, 1970-1973**

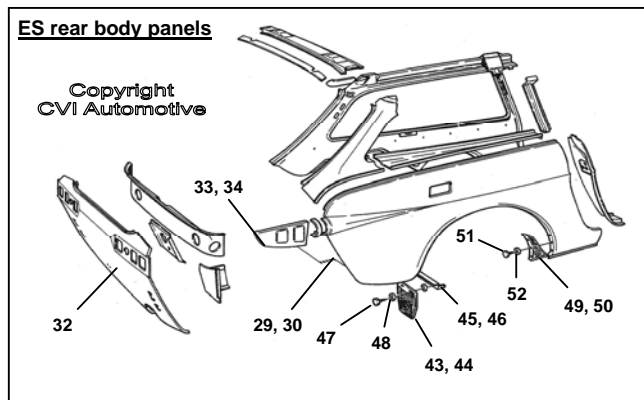
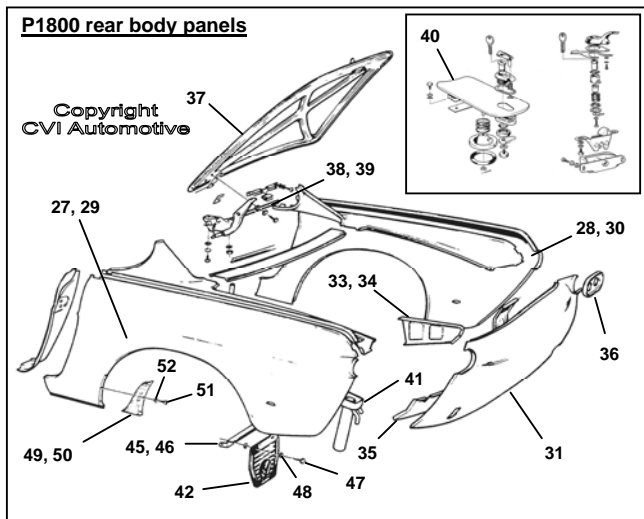
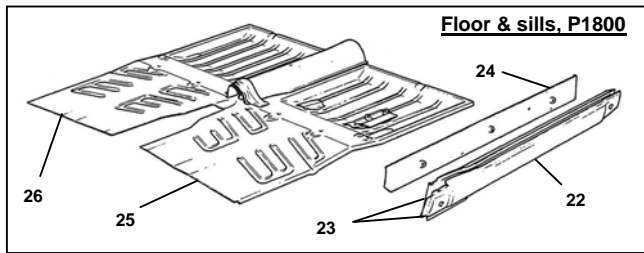
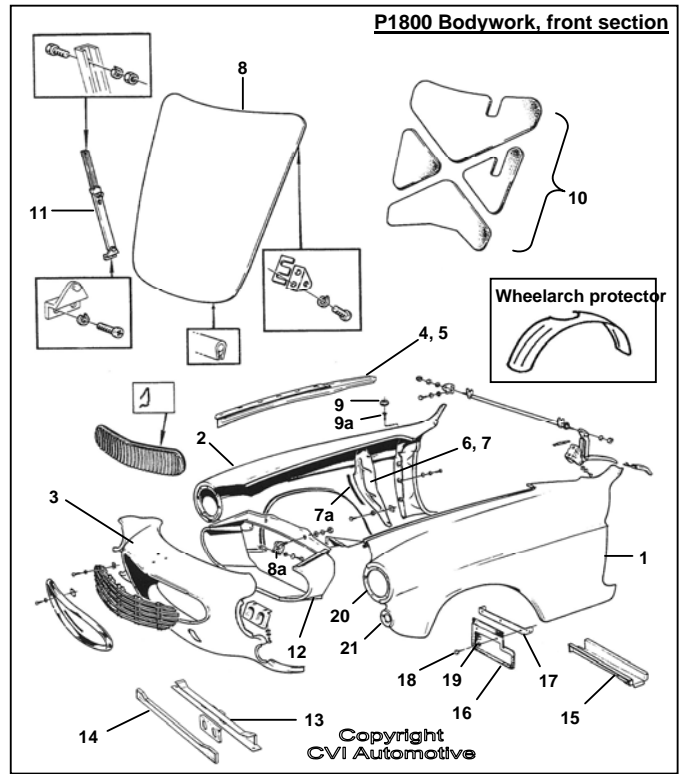
<b>Part#</b>		
1212342	<b>(1.)</b> Handbrake cable	(1/car)
677218	<b>(1a.)</b> Bolt with lock	(included with h'brake cable)
675914	<b>(1b.)</b> Retainer	(included with h'brake cable)
680912	<b>(2.)</b> Pull rod	
913124	<b>(3.)</b> Clevis pin	
907824	<b>(4.)</b> Split pin	
659655	<b>(5.)</b> Spring	
955826	<b>(6.)</b> Nut	
960141	<b>(7.)</b> Washer	
680907	<b>(8.)</b> Wheel	
680908	<b>(9.)</b> Spacer sleeve	
955525	<b>(10.)</b> Bolt	
950353	<b>(11.)</b> Nut	
686336	<b>(12.)</b> Return spring	
688136	<b>(13.)</b> Rubber grommet	
275872	<b>(14.)</b> H'brake shoe set, 1 car (E to 38099, ES -172)	
275873	<b>(15.)</b> Handbrake shoe set, 1 car (later type)	
FK-677524	<b>(16.)</b> Fitting kit for handbrake shoes, early	
FK-681963	<b>(16.)</b> Fitting kit for handbrake shoes, late	
677525	<b>(17.)</b> Handbrake adjuster, complete	(2/car)
1212191	<b>(18.)</b> Pressure plate	(2/car)
1212192	<b>(19.)</b> Spring	(2/car)
677529	<b>(20.)</b> Seal	(1800E -ch 31456)
686653	<b>(21.)</b> Lever, lhs	(1800E -ch 31456)
686654	<b>(22.)</b> Lever, rhs	(1800E -ch 31456)
688118	<b>(23.)</b> Lever, lhs	(1800E ch 31457-, all ES)
688119	<b>(24.)</b> Lever, rhs	(1800E ch 31457-, all ES)
677483	<b>(25.)</b> Bracket, lh	(1800E -ch 31456)
687107	<b>(26.)</b> Bracket, lh	(1800E ch 31457-, all ES)
687108	<b>(27.)</b> Bracket, rh	(1800E ch 31457-, all ES)
660651	<b>(28.)</b> Plastic eyelet on handbrake lever	
191030	<b>(29.)</b> Screw	

**1800E/ES Handbrake System**

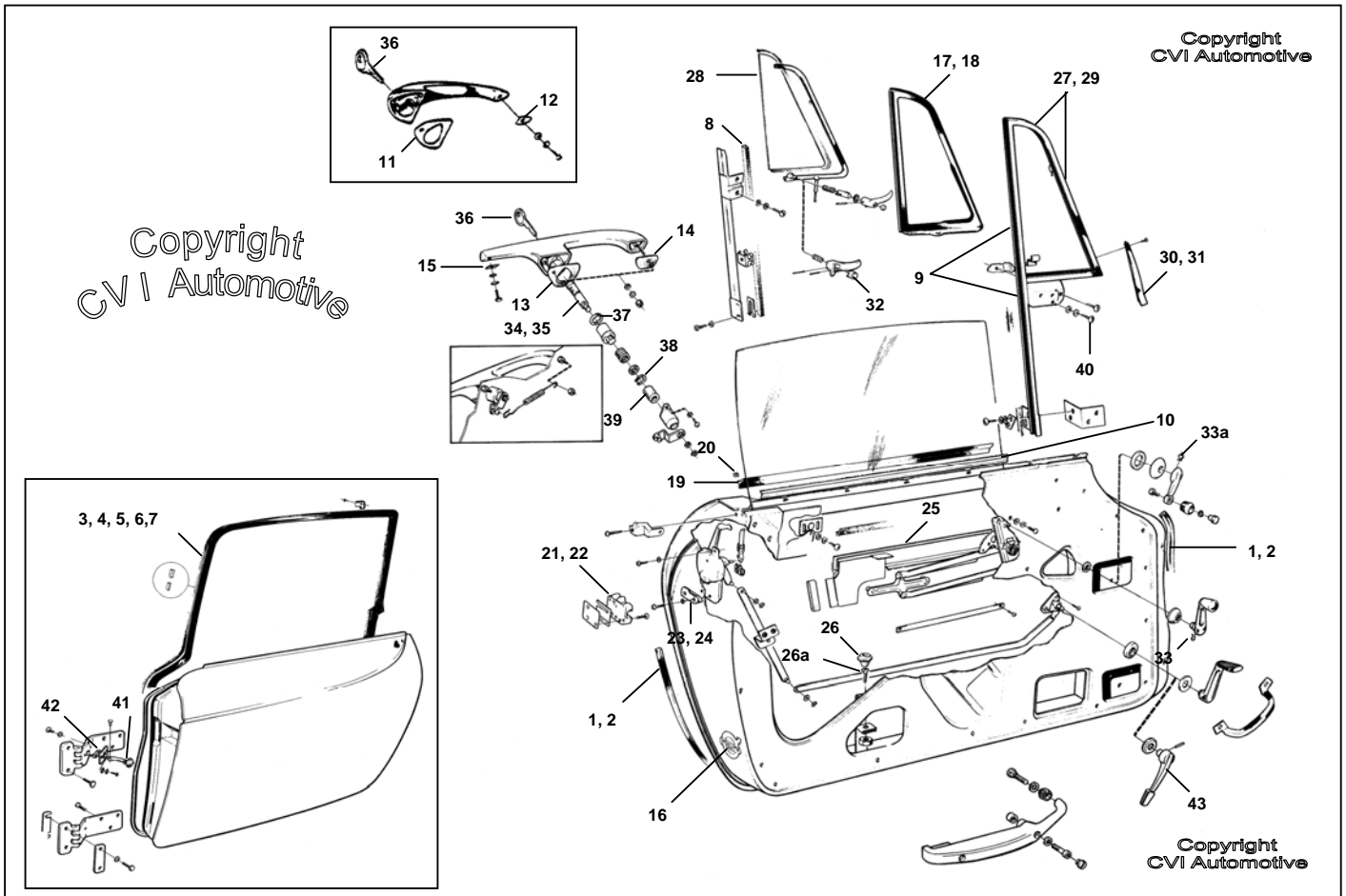


654980	<b>(30.)</b> Button	
672995	<b>(31.)</b> Contact switch	(1/car)
940143	Lock washer for switch	(1/car)
942914	Nut for switch	(1/car)
665236	<b>(32.)</b> Rubber sealing gaiter, in floor	

<b>Part#</b>			
664371	(1.)	Front wing, lhs	
664372	(2.)	Front wing, rhs	
664373	(3.)	Front panel	Call
CVI-LP18001		Wheel arch protectors	Call
664725	(4.)	Front rail, under wing/fender, lhs	
664726	(5.)	Front rail, under wing/fender, rhs	
664168	(6.)	Splash plate, lhs w. 665716 (now 1213717)	
664169	(7.)	Splash plate, rhs w. 665716 (now 1213718)	
665716	(7a.)	Rubber seal around splash plate	
664257	(8a.)	Bonnet hinge	(2/car) Call
669105	(9.)	Rubber cushion, from ch. 10200-	
950149	(9a.)	Screw for cushion, from ch. 10200-	
687743S	(10.)	Bonnet soundproofing set	
664513a	(11.)	Bonnet stay: a.) (early) star-wheel type	
664513b	(11.)	Bonnet stay: b.) (late) manual type	
664175	(12.)	Air intake (left side only is available)	
654067	(13.)	Cross-member, under radiator	
653309	(14.)	Cover plate, on front of crossmember	
653687	(15.)	Front chassis outrigger ( <u>without</u> jack point)	
663884	(16.)	Mudflap, front	
663882	(17.)	Mudflap bracket, front	
190364	(18.)	Screw for mudflap & bracket	(5/side)
192041	(19.)	Washer	(2 per side)
664285	(20.)	Reinforcing ring, headlamp	
664246	(21.)	Reinforcing ring, indicator	



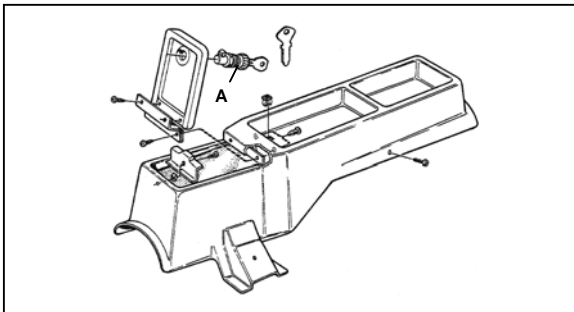
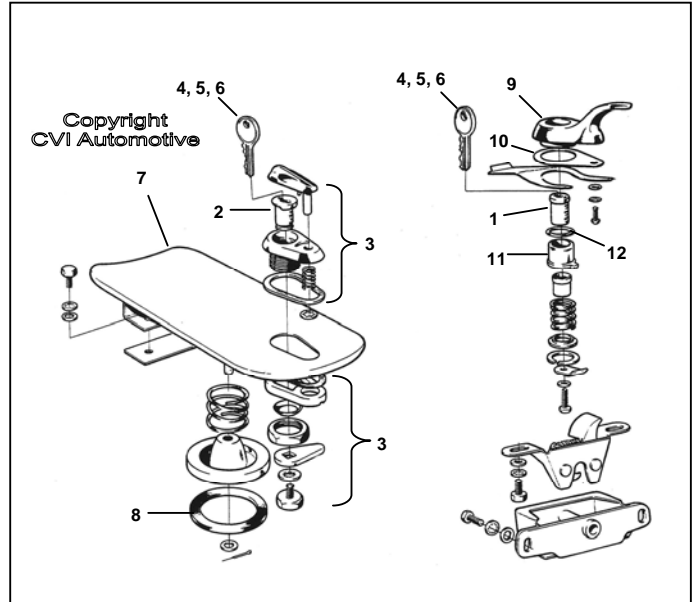
664057	(22.)	Outer sill panel, lh	NLA
664058	(22.)	Outer sill panel, rh	NLA
664380/81	(23.)	Sill (complete), lh/rh	NLA
664062/63	(24.)	Inner sill, lh/rh	Call
664998	(25.)	Floor pan (lh, front section)	(R)
664999	(26.)	Floor pan (rh, front section)	(R)
678127		Reflective emblem on door edge	
664256		Door stop	
665978		Guide for door stop	
664279	(27.)	Rear wing, lh., up to ch 30000	
664280	(28.)	Rear wing, rh., up to ch 30000	
682231	(29.)	Rear wing, lh., from ch 30001-	
682232	(30.)	Rear wing, rh., from ch 30001-	
664000	(31.)	Rear panel, P1800/S/E	
684242	(32.)	Rear panel, 1800 ES	
664170	(33.)	Stay plate, left	(R)
664171	(34.)	Stay plate, right	(R)
664172	(35.)	Stay plate, rear	
664102	(36.)	Anchorage plate for rear lamp	
664199	(37.)	Bootlid, P1800/S/E	NLA
664730	(38.)	Spring for bootlid, P1800/S/E, lh	
664731	(39.)	Spring for bootlid, P1800/S/E, rh	
664287	(40.)	Filler flap, with hinge, P1800/S	(R) NLA
664297-R	(41.)	Filler inlet (less pipe)	NLA
683936		Filler flap, with hinge, 1800E/ES	
663880	(42.)	Mudflap, rear, P1800/S/E	
1211389	(43.)	Mudflap, rear lh, 1800 ES	
1211466	(44.)	Mudflap, rear rh, 1800 ES	
663878	(45.)	Mudflap bracket, lh rear (now stainless)	
663879	(46.)	Mudflap bracket, rh rear (now stainless)	
190364	(47.)	Screw for mudflap & stay	(2 per side)
960140	(48.)	Washer	(2 per side)
669637	(49.)	Gravel deflector, lh	
669638	(50.)	Gravel deflector, rh	
955120	(51.)	Screw for gravel deflector (5 per side)	
955891	(52.)	Washer	



<b>Part #</b>		<b>Part #</b>	
672152	(1.) Door seal (on door), lhs (genuine)	673279 (B)	(21.) Striker plate, LHS, good used
672153	(2.) Door seal (on door), rhs (genuine)	673280	(22.) Striker plate, RHS, new
668980	(3.) Seal around door opening, to 1969 (felt), lhs (R)	673277	(23.) Guide, on door, LHS
668981	(3.) Seal around door opening, to 1969 (felt), rhs (R)	673278	(24.) Guide, on door, RHS
<p><i>(Note: door opening seals for the 1961 to 1969 models were all felt covered, not pvc. In 1970 Volvo changed from felt to pvc. Please note that the felt covered seals come as an unfinished 3.7m strip without the 90 degree angle - you must cut and make your own angle joints. The quality of the seal is nevertheless excellent! Seals for 1800E &amp; 1800ES are pvc covered and come with glued 90 degree angle joints.)</i></p>			
682296	(4.) Door opening seal, 1800E lhs	320551	(25.) Filler strip, under door glass
682297	(5.) Door opening seal, 1800E rhs	669105	(26.) Rubber cushion
682940	(6.) Door opening seal, 1800ES lhs	950148	(26a) Screw
682941	(7.) Door opening seal, 1800ES rhs	669405	(27.) Qtr. light frame, LHS, 1800S/E
664866	(8.) Rear guide channel for door glass (2/car)	669399	(28.) Quarter-light glass, clear glass, lhs 1800S/E
688540	(9.) Front guide channel for door glass (2/car)	683479	(29.) Qtr. light frame, LHS, 1800ES
665633	(10.) Inner felt scraper for door glass (2/car)	669472	(30.) Escutcheon plate, lhs, from ch# 10000-
<b>509</b>	<b>(Door glass guide kit (for both doors))</b>	669473	(31.) Escutcheon plate, rhs, from ch# 10000-
664535	(11.) Gasket large, up to ch# 20999	672481	(32.) Plastic lock button, vent window, '67- (from ch 21000-)
664536	(12.) Gasket small, up to ch# 20999	664587	(33.) Clips, for winder handle, P1800/S
672365	(13.) Gasket large, from ch# 21000-	687299	(33a.) Clips, for winder handle, 1800E/ES
672366	(14.) Gasket front, from ch# 21000-	664733	(34.) Door lock, with 2 keys
672657	(15.) Gasket rear, from ch# 21000-	564733-1	(35.) Paired door locks, with 2 keys
678127	(16.) Reflector sticker on door edge	660137	(36.) Key blank (type FP)
673459	(17.) Vent window seal, lhs from ch. 10000-	660138	(36.) Key blank (type FR)
673460	(18.) Vent window seal, rhs from ch. 10000- (NOT 1800ES)	671319	(36.) Key blank (type FS)
668258	(19.) Scraper seal against door glass	664533	(37.) Seal ring on push button
664871	(20.) Clips for scraper seal (5 per side)	664527	(38.) Stop ring
		664530	(39.) Spring
		950045	(40.) Screw
		664256	(41.) Door stop
		665978	(42.) Guide for door stop
		687996	(43.) Inner door handle, 1800E/ES (R)

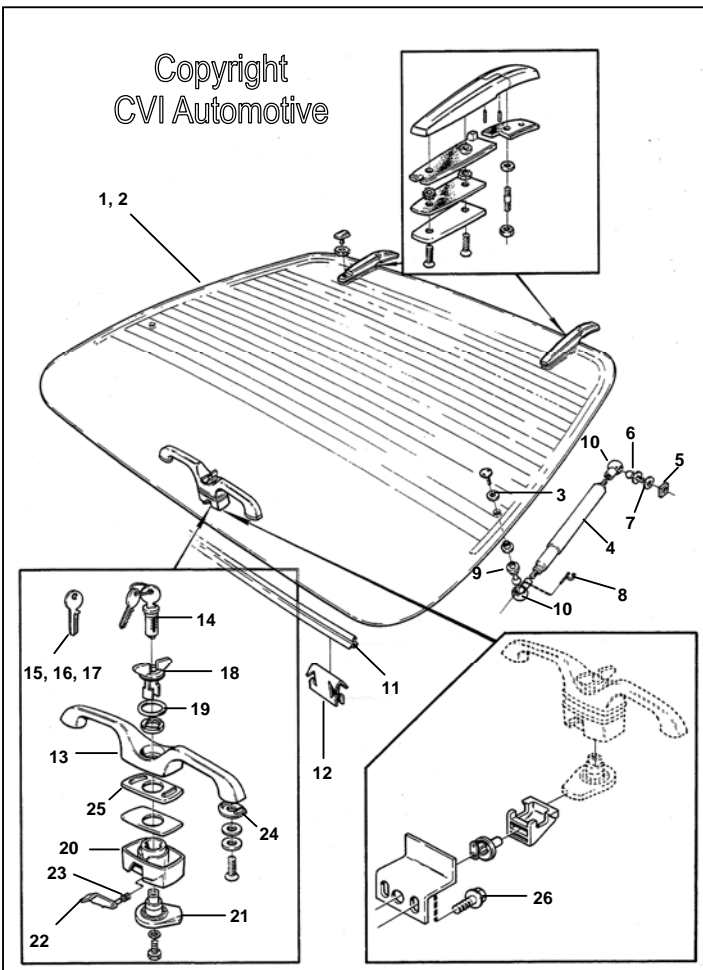
Call

- 664734 (1.) Bootlid/tailgate lock barrel
- 664735 (2.) Petrol flap lock barrel
- 664738 (3.) Petrol flap lock, with chrome housing
- 664736 Lock set, complete (4 locks, 2 keys)**  
(Doors, bootlid, petrol flap)
- 664736-1 Lock set, with 664736 + 664738  
(includes 2 x door lock, 1 bootlid lock, 1 filler cap lock, + chrome housing and 2 keys)
- 660137 (4.) Key blank (type FP)
- 660138 (5.) Key blank (type FR)
- 671319 (6.) Key blank (type FS)
- 664287 (7.) Fuel filler flap, with hinge ('61-'69) (R) Call
- 665118 (8.) Rubber seal
- 664737 (9.) Bootlid handle (Swedish-made)
- 664545 (10.) Gasket, under handle
- 664543 (11.) Push button
- 664533 (12.) Seal ring on push button

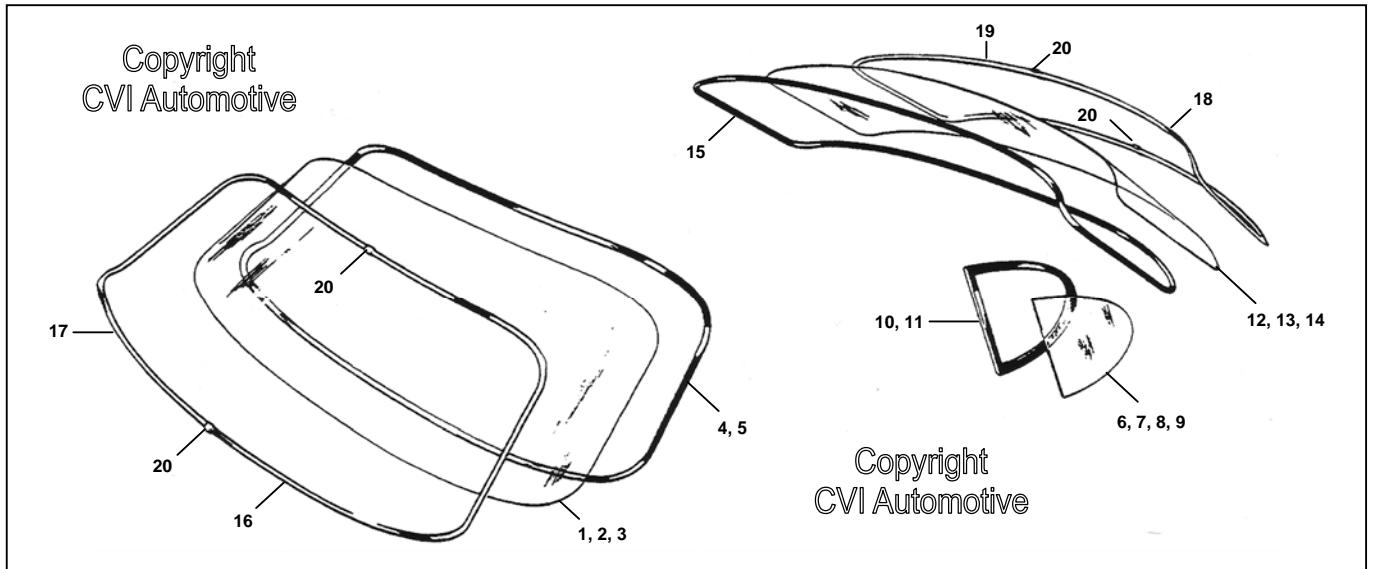


- 684547 (A.) Glove box lock E to ch # 32799 ES early NLA

**1800 ES TAILGATE GLASS, HANDLE, LOCK COMPONENTS & GAS STRUT**



- | <u>Part#</u>  |   |                  |
|---------------|---|------------------|
| 683269        | (1.) 1800ES tailgate glass, clear             | NLA              |
| 683529        | (2.) 1800ES tailgate glass, green tinted      |                  |
| 683352        | (3.) Rubber spacer under strut-to-glass screw |                  |
| 688555        | (4.) Gas filled opener support                |                  |
| 944555        | (5.) Nut                                      | NLA              |
| 944558        | (6.) Ball stud                                |                  |
| 941907        | (7.) Resilient washer                         |                  |
| 959095        | (8.) Locking brace                            |                  |
| 688500        | (9.) Ball stud                                | NLA              |
| 959090        | (10.) Ball seat                               | NLA              |
| 683842        | (11.) Seal                                    |                  |
| 944102        | (12.) Clip                                    |                  |
| 683228        | (13.) Tailgate handle                         |                  |
| 664734        | (14.) Lock cylinder, with 2 keys              |                  |
| 660137        | (15.) Key blank (type FP)                     |                  |
| 660138        | (16.) Key blank (type FR)                     |                  |
| 671319        | (17.) Key blank (type FS)                     |                  |
| <b>683227</b> | <b>(18.) Opener knob</b>                      |                  |
| 960220        | (19.) O-ring                                  | Call             |
| 683229        | (20.) Base plate, against glass               | NLA              |
| 683226        | (21.) Lock flap (on inside of glass)          | NLA              |
| 683223        | (22.) Catch (attached to base plate)          |                  |
| 683225        | (23.) Spring, on catch                        |                  |
| 684658        | (24.) Rubber gasket, on sides                 | (2 per car) Call |
| 684659        | (25.) Rubber gasket, central                  | (2 per car) Call |
| 942402        | (26.) Screw                                   |                  |



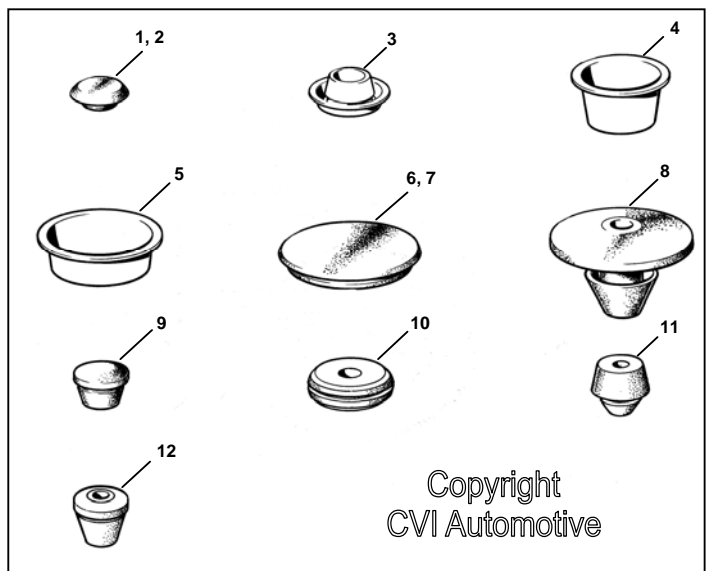
<u>Part #</u>		<u>Part #</u>	
683894	(1.) Front windscreen, clear	668049	(12.) Rear screen, clear, P1800/S/E <span style="float: right;">NLA</span>
683726	(2.) Front windscreen, green tint	673683	(13.) Rear screen, clear, P1800/S/E (heated)
683728	(3.) Front screen, blue top-tint	687712	(14.) Ditto, heated & tinted (repls. 684216)
673319	(4.) Windscreen seal, to 1969, P1800/S	668373	(15.) Rear screen seal, P1800/S/E
1211949	(5.) Windscreen seal, from 1970 (1800E, ES)	669261	(16.) Front screen trim (LHS)
665200	(6.) Rear side glass, P1800/S/E, lhs (clear)	669262	(17.) Front screen trim (RHS)
665201	(7.) Rear side glass, P1800/S/E, rhs (clear) <span style="float: right;">NLA</span>	669328	(18.) Rear screen trim (LHS)
684165	(8.) Rear side glass, P1800/S/E, lhs (tinted) <span style="float: right;">NLA</span>	669329	(19.) Rear screen trim (RHS)
684166	(9.) Rear side glass, P1800/S/E, rhs (tinted) <span style="float: right;">NLA</span>	660151	(20.) Junction (2 per screen)
665202	(10.) Rear side glass seal, P1800/S/E, lhs	683842	Rear screen seal, 1800 ES
665203	(11.) Rear side glass seal, P1800/S/E, rhs		

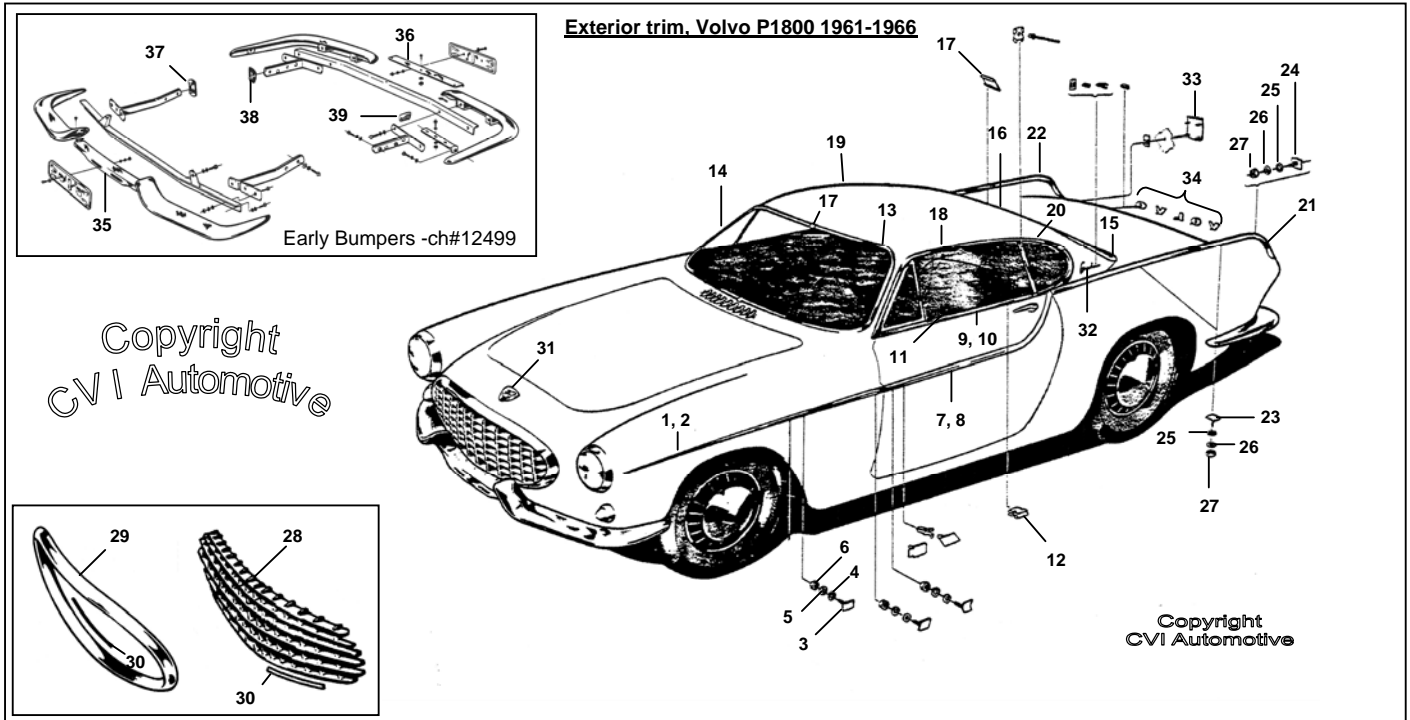
**BONNET & BOOTLID SEALS**

672146	Bonnet rest seal	672147	Bootlid seal
--------	------------------	--------	--------------

**BODY PLUGS AND GROMMETS**

668106	(1.) Rubber plug, rear side member	D = 19	NLA
684441	(2.) Rubber plug	D = 26	NLA
664768	(3.) Rubber plug, front pillar + front flooring		NLA
668159	(4.) Plastic plug, small (sill plate)	(R)	
668257	(5.) Plastic plug, large (cant rail)	(R)	
665831	(6.) Plug for casing over gearbox		NLA
680035	(7.) Grommet		
671261	(8.) Rubber plug for firewall matting		
658434	(9.) Rubber plug		
941269	(10.) Rubber grommet		
667516	(11.) Rubber plug		
677055	(12.) Rubber plug		





**Windscreen, Gutter & Side trim**

<b>Part #</b>			
664622	(1.) Front wing moulding, '61-'66	(LHS)	
664623	(2.) Front wing moulding, '61-'66	(RHS)	
668068	(3.) Clips for moulding	(5/side)	
940090	(4.) Washer		
955946	(5.) Lock washer		
940092	(6.) Nut for clip	(unc genuine)	
664624	(7.) Door moulding, curved, '61-'66	(LHS)	NLA
664625	(8.) Door moulding, curved, '61-'66	(RHS)	NLA
668259	(9.) Trim strip outside door glass	(LHS)	
668260	(10.) Trim strip outside door glass	(RHS)	
668258	(11.) Door glass scraper seal	2/car	
664871	(12.) Clips for seal/trim strip	(5/side)	
669261	(13.) Front screen trim	(LHS)	
669262	(14.) Front screen trim	(RHS)	
669328	(15.) Rear screen trim	(LHS)	
669329	(16.) Rear screen trim	(RHS)	
660151	(17.) Junction		
670065	(18.) Gutter trim	(LHS)	
670066	(19.) Gutter trim	(RHS)	
664886	(20.) Junction piece		
669631	(21.) Trim on top of rear wing	(LHS)	
669632	(22.) Trim on top of rear wing	(RHS)	
654585	(23.) Clips, forward for trim	(3/side)	
672259	(24.) Clips, rear for trim	(2/side)	
940090	(25.) Washer		
955946	(26.) Lock washer		
940092	(27.) Nut for clip		

**Grilles & Grille Surround**

<b>Part #</b>	
664841	(28.) "Eggbox" grille, Jensen type (aluminium)
668301	Grille, 1965-66 (silver)
273168	(29.) Grille surround, all 1800 models (comes with rubber seal + fitting kit)
13319	(30.) Rubber seal, around grille surround (2.11m)

**Badges & Letter set**

664493	(31.) Front nose badge	
665337	Clips for badge fitment	NLA
664617	(32.) Volvo badge on roof pillar (Jensen)	
192586	Clips for 664617	NLA
670241	(33.) 1800 S badge	(R)
276375	(34.) Volvo letters, rear, up to ch# 37549 ( <u>genuine</u> )	
82660	Clips for Volvo letters ( <u>included</u> in 276375)	

**Bumper Centre sections & Rubber guards**

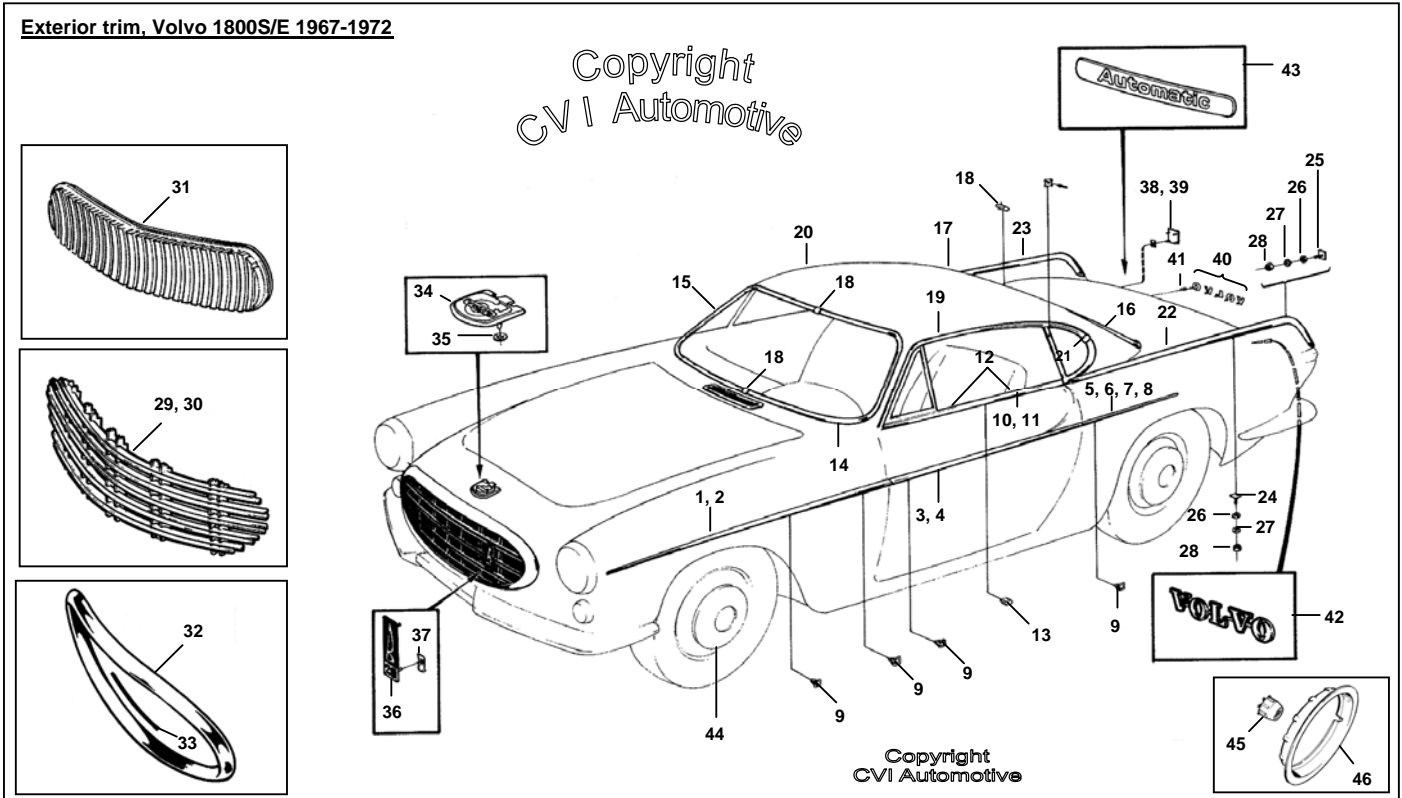
665435	(35.) Front centre section (Jensen)
665478	(36.) Rear centre section (Jensen)
665121	(37.) Rubber guard, front bumper iron
665124	(38.) Rubber guard, rear bumper iron
665125	(39.) Rubber guard, rear side iron (early bumpers)

**Hub caps**

654108	Hub cap ("V"), ch. 6001-12499 (stainless)
654108 (D)	Red sticker for center of hubcap
670437	Black "V" hubcap, '65-'69
664738	Petrol flap lock, with chrome housing

664737	Bootlid handle, P1800/S/E (Swedish-made)
664545	Gasket, under handle





**Windscreen, Gutter & Side trim**

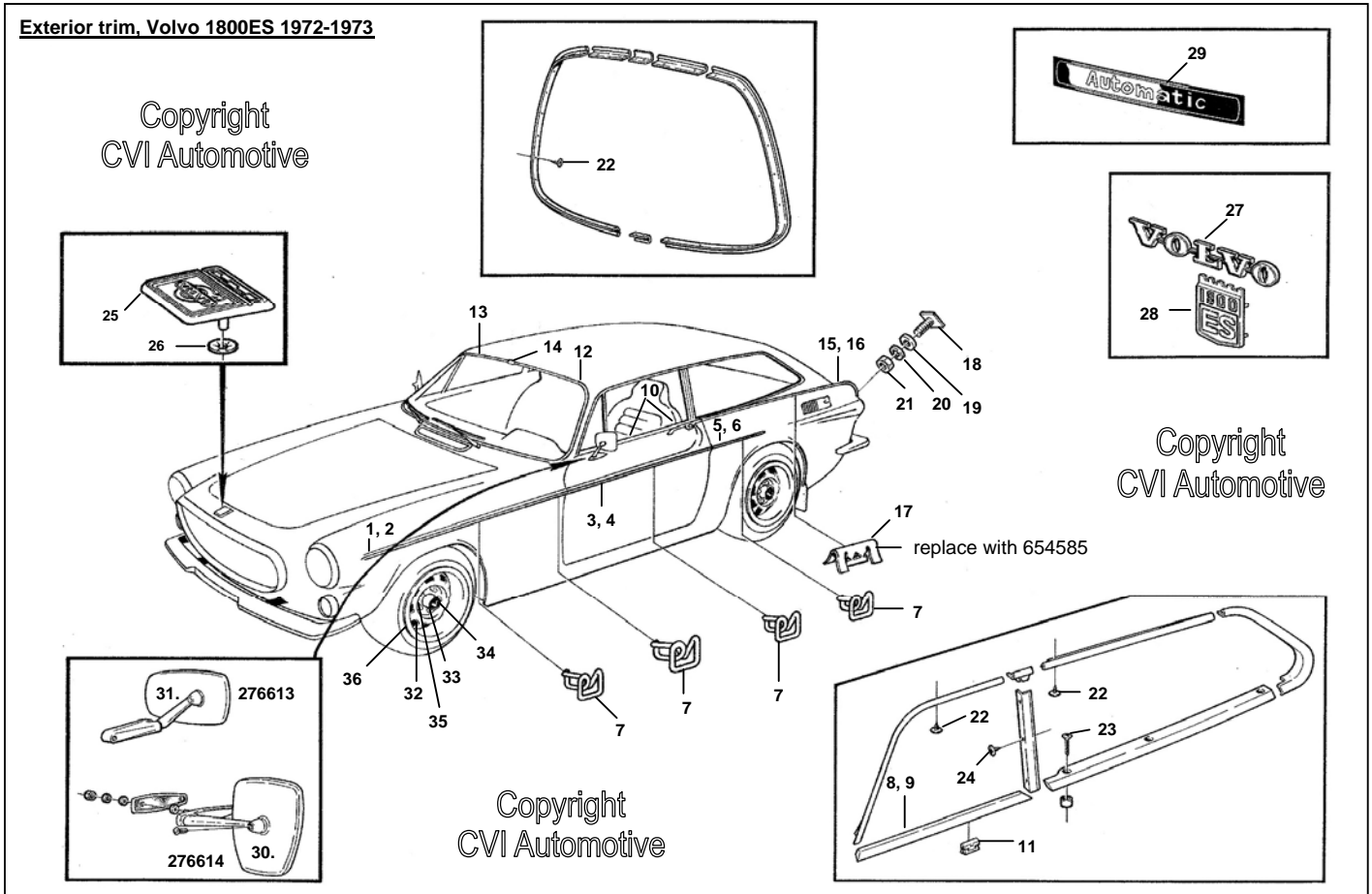
**Grilles & Grille Surrounds**

Part #	Description	Quantity
671987	(1.) Front wing moulding, '67-'73	(lh)
671988	(2.) Front wing moulding, '67-'73	(rh)
671981	(3.) Door moulding, '67-'73	(lh)
671982	(4.) Door moulding, '67-'73	(rh)
671989	(5.) Rear wing moulding, '67-'69	(lh)
671990	(6.) Rear wing moulding, '67-'69	(rh)
685982	(7.) Rear wing moulding, '70-'73	(lh)
685983	(8.) Rear wing moulding, '70-'73	(rh)
95384	(9.) Clips for trim '67-'73	
668259	(10.) Trim strip outside door glass	(LHS)
668260	(11.) Trim strip outside door glass	(RHS)
668258	(12.) Door glass scraper seal	
664871	(13.) Clips for seal/trim strip (5 per side)	
669261	(14.) Front screen trim	(LHS)
669262	(15.) Front screen trim	(RHS)
669328	(16.) Rear screen trim	(LHS)
669329	(17.) Rear screen trim	(RHS)
660151	(18.) Junction	(4/car)
670065	(19.) Gutter trim	(LHS)
670066	(20.) Gutter trim	(RHS)
664886	(21.) Junction piece	
669631	(22.) Trim on top of rear wing	(LHS)
669632	(23.) Trim on top of rear wing	(RHS)
654585	(24.) Clips, forward for trim	(3/side)
672259	(25.) Clips, rear for trim	(2/side)
940090	(26.) Washer	
955946	(27.) Lock washer	
940092	(28.) Nut for clip	
664737	Bootlid handle, P1800/S/E	
664545	Gasket, under handle	
664738	Petrol flap lock, with chrome housing	

Part #	Description	Quantity	Notes
672477	(29.) Grille, 1967-69 (silver)		
682152	(30.) Grille, 1970-71 (black)		
683633	(31.) Grille, 1800E 1972, all 1800 ES		
684967	Clips, for 683633	(8/car)	
273168	(32.) Grille surround, all 1800 models		(comes with rubber seal + fitting kit)
13319	(33.) Rubber seal for grille surround	(2.11m)	
<b>Badges &amp; Letter set</b>			
664493	Front nose badge, ch -32799		
665337	Clips for badge fitment	(2/car)	NLA
675887	(34.) Front nose badge, 1800E, ch 32800-37549	R	
685946	Front nose badge, 1800E fr. ch 37550-	all ES R	
191695	(35.) Clips for nose badges	(2/car)	
673702	(36.) B20 badge, on grille	(R)	
192586	(37.) Clips for above badges		NLA
670241	(38.) 1800S badge	(R)	
684804	(39.) 1800E badge	(R)	
276375	(40.) Volvo letters, rear, up to ch 37549	(genuine)	
82660	(41.) Clips for letters (included in 276375)		
685811	(42.) Volvo badge (rear), late E/all ES	(R)	
688371	(43.) Automatic emblem, 1800E		Call

**Wheels & Hubcaps**

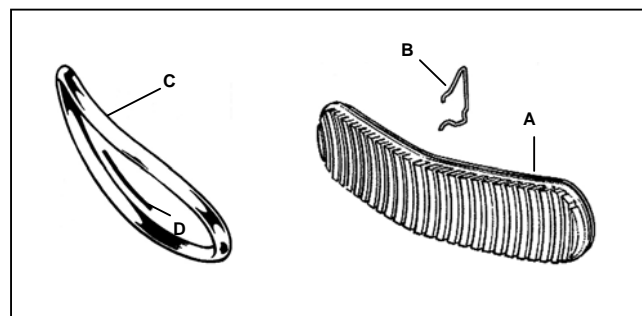
670437	(44.) Black "V" hubcap '65-'69		
684001	Wheel rim, 5 1/2" x 15", 1972-'73		
684835	(45.) Hub cap (small chrome centre), '72/'73		
1210343	Emblem (in centre of 684835)		Call
688984	Chromed wheel nut, 1800E/ES		Call
682086	(46.) Wheel trim ring <b>New!</b>		



Part #	Windscreen & Side trim	
671987	(1.) Front wing moulding	(lh)
671988	(2.) Front wing moulding	(rh)
671981	(3.) Door moulding	(lh)
671982	(4.) Door moulding	(rh)
685982	(5.) Rear wing moulding	(lh)
685983	(6.) Rear wing moulding	(rh)
95384	(7.) Clips for trim	
683464	(8.) Trim strip outside door glass	(LHS)
683465	(9.) Trim strip outside door glass	(RHS)
668258	(10.) Door glass scraper seal	
664871	(11.) Clips for seal/trim strip (5 per side)	

**Grille & Grille Surround**

683633	(A.) Grille, 1800E 1972, all 1800 ES	
684967	(B.) Clips, for 683633	(8/car)
273168	(C.) Grille surround, all 1800 models (comes with rubber seal + fitting kit)	
13319	(D.) Rubber seal for grille surround (2.11m)	



Part #	Windscreen & Side trim	
669261	(12.) Front screen trim	(LHS)
669262	(13.) Front screen trim	(RHS)
660151	(14.) Junction	(2/car)
669631	(15.) Trim on top of rear wing	(LHS)
669632	(16.) Trim on top of rear wing	(RHS)
654585	(17.) Clips, forward for trim	(3/side)
672259	(18.) Clips, rear for trim	(2/side)
940090	(19.) Washer	
955946	(20.) Lock washer	
940092	(21.) Nut for clip	(unc original)
192318	(22.) Screw (stainless) 27 pcs on rear, + 12 pcs	
944540	(23.) Screw (stainless)	(6 per car)
942704	(24.) Screw (stainless)	(6 per car)

**Badges**

685946	(25.) Front nose badge, 1800E fr. ch 37550-, all ES (R)	
191695	(26.) Clips for nose badge	(2/car)
685811	(27.) Volvo badge (rear), late E/all ES	
1211295	(28.) 1800ES badge, genuine	
1211078	(29.) Automatic emblem, 1800 ES	NLA

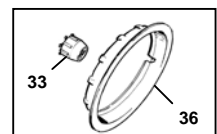
**Rear-view Mirrors (blue tinted glass)**

276614	(30.) Door mirror flat glass 1968-1972 (attached fr inside)
276613	(31.) Door mirror flat glass 1972-1973 (attchd fr outside)
1213608	Mirror head, convex blue tinted glass
941637	Screw, mirror head to mirror stalk

**Wheels & Hubcaps**

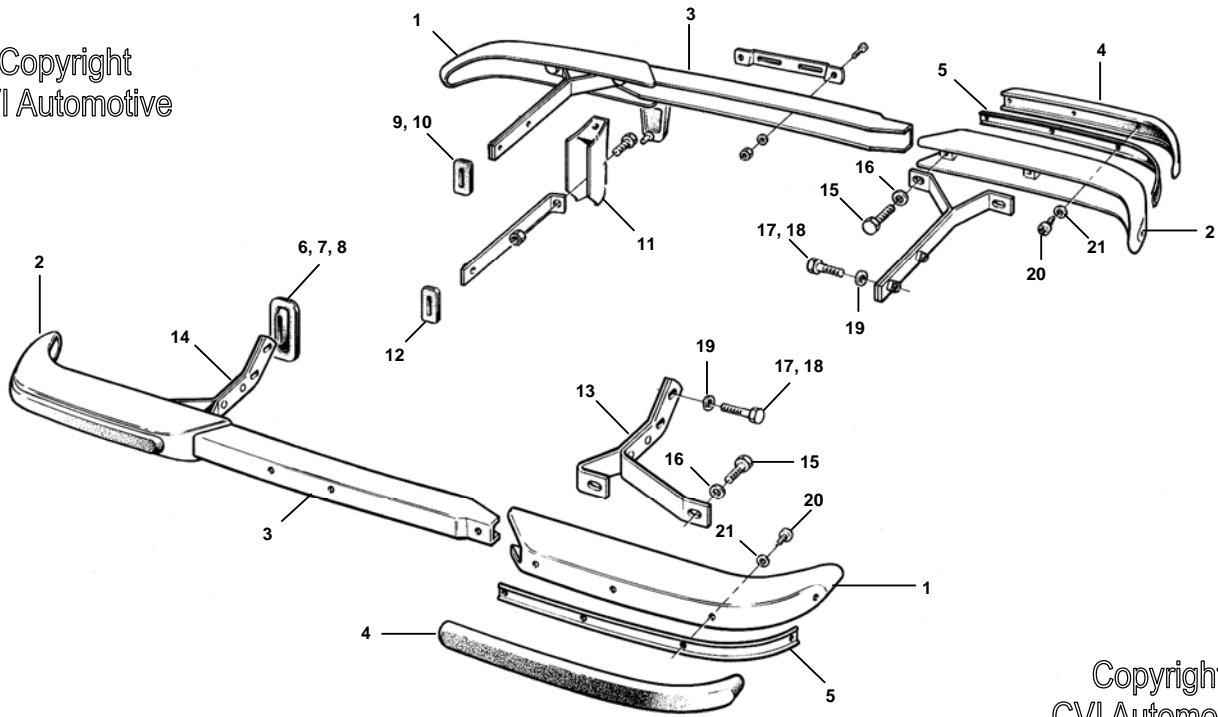
684001	(32.) Wheel rim, 5 1/2" x 15", 1972-'73	
684835	(33.) Hub cap (small chrome centre), '72/'73	
1210343	(34.) Emblem (in centre of 684835)	
688984	(35.) Chromed wheel nut, 1800E/ES	Call NLA

682086 (36.) Wheel trim ring **New!**



**Bumpers, 1800S/E/ES from ch# 12500- (Note: NOT 1800ES USA/CAN 1973)**

Copyright  
CVI Automotive

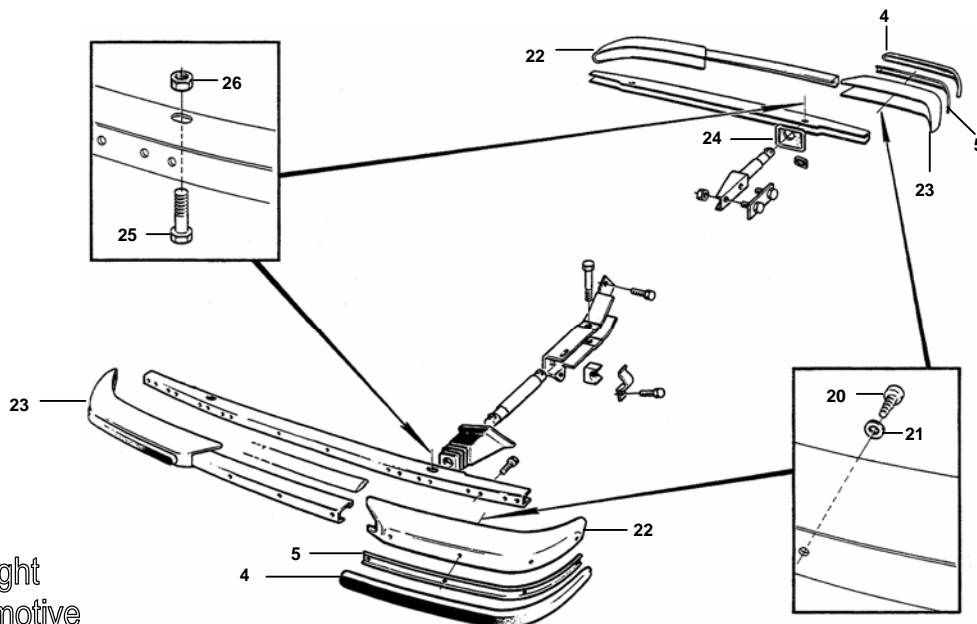


Copyright  
CVI Automotive

<b>Part #</b>		<b>Part #</b>		
668326	(1.) Bumper corner, front left/rear right	668318	(13.) Bumper iron, lhs	NLA
668327	(2.) Bumper corner, front right/rear left	668319	(14.) Bumper iron, rhs	NLA
684667	(3.) Centre section (front and rear)	940114	(15.) Bolt	
		940097	(16.) Washer	
668311	(4.) Rubber strip (on corner sections)	955535	(17.) Bolt	(1800S/E -ch# 37549)
668312	(5.) Metal retainer (under strip)	940115	(18.) Bolt	(1800E ch# 37550-, all ES)
665121	(6.) Rubber seal (1800S/E, ES -1972)	942336	(19.) Washer	(1800S/E -ch# 37549)
1213591	(7.) Rubber seal, lh (1800ES 1973)			
1213592	(8.) Rubber seal, rh (1800ES 1973)	941739	(20.) Screw for rubber protector	NLA
665124	(9.) Rubber seal (1800S/E, ES -1972)	192292	(21.) Washer	
1213458	(10.) Rubber seal (1800ES 1973)	1213234	(22.) Bumper corner USA 1973, front left/rear right	
683871	(11.) Rear underrider, 1800 ES	1213231	(23.) Bumper corner USA 1973, front right/rear left	
665124	(12.) Rubber seal (1800ES)	1213459	(24.) Rubber gaiter	(2/car)
		955580	(25.) Bolt	(4/car)
		955837	(26.) Nut	(4/car) Call

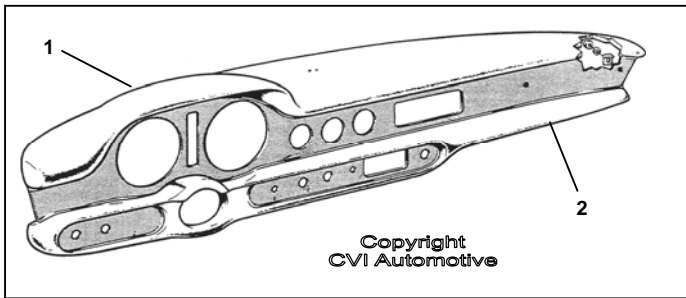
**Bumpers, 1800ES USA/CAN 1973**

Copyright  
CVI Automotive



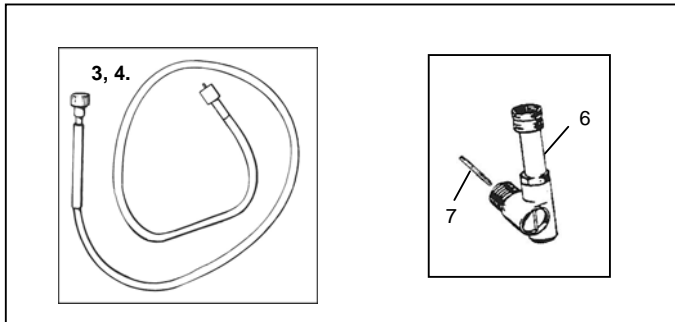
Copyright  
CVI Automotive

**DASHPADDING**



- 665103 (1.) Dashpadding, upper, lhd
- 1212985 (2.) Dashpadding, lower, lhd (ref: 665101)

1210889 Rear view mirror (w/out stalk), E/ES (interior)



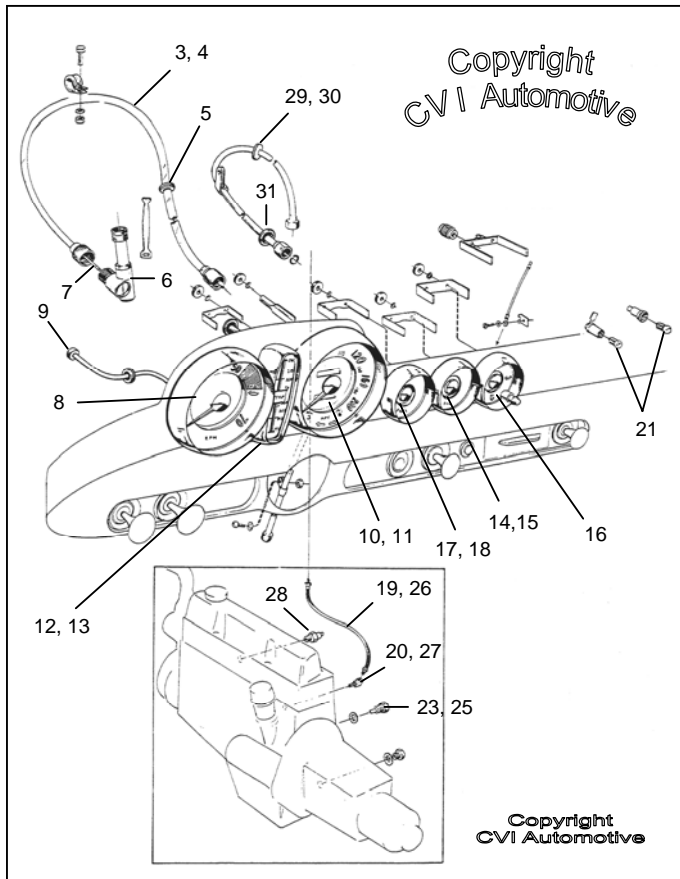
- 668169 (3.) Speedo cable, all LHD M41/M400, + RHD '70-'73
- 668166 (4.) Speedo cable, M40 LHD, M41 RHD '61-'69

- 88273 (5.) Rubber grommet on cable (from ch. 6001-)
- 666756 (6.) Angle box, at overdrive end
- 666974 (7.) Wound wire drive pin
- 380192 Oil seal at angle box

380305-1 Speedo drive gear (B18, 19 cogs, w/out shaft)  
 380753 Speedo drive gear (B20, manual transmission)  
 380164 Speedo drive gear, 1800E automatic ch -37549  
 380861 Speedo drive gear, auto, 1800E ch 37549-, all E: NLA

**INSTRUMENTS, 1961-1969**

(NB. Included for reference only)

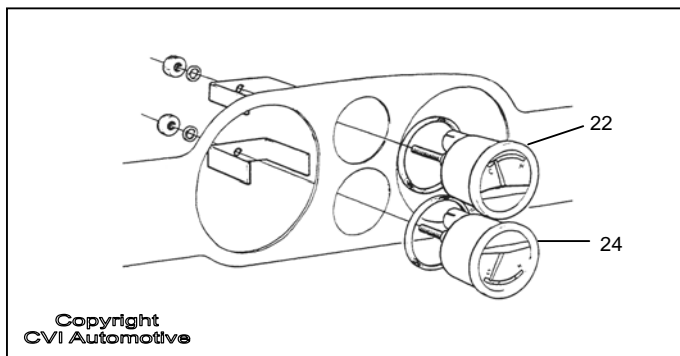


- 670580 (8.) Rev counter, to ch 30000 NLA
- 664425 (9.) Rubber grommet, on conduit for rev counter
- 665258 Sender, for cars up to ch 9999 NLA
- 673438 (10.) Speedometer, Miles NLA
- 673439 (11.) Speedometer, KM NLA
- Chrome surround, small Call
- 665259 (12.) Water & oil temperature gauge (Swedish text) NLA
- 665260 (13.) Water & oil temperature gauge (English text) NLA
- 664642 (14.) Bränslemätare (svensk text) NLA
- 665262 (15.) Bränslemätare (engelsk text) NLA
- 664644 (16.) Clock NLA
- 664643 (17.) Oil pressure gauge (Swedish text) NLA
- 665261 (18.) Oil pressure gauge (English text) NLA
- 418661 (19.) Flexi hose for oil pressure gauge
- 16218 (20.) Elbow union
- 277706 (21.) Bulb (8 per car)

**INSTRUMENT, 1970-1973**

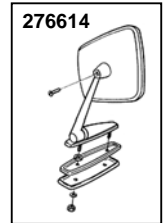
(NB. Included for reference only)

- 682159 Rev counter NLA
- 664425 Rubber grommet, on conduit for rev counter
- 1212587 Speedometer, KM NLA
- 1212588 Speedometer, Miles NLA
- 682163 (22.) Water temperature gauge NLA
- 683299 (23.) Temperature sender, water
- 682162 (24.) Oil temperature gauge NLA
- 683298 (25.) Temperature sender, oil
- 682160 Oil pressure gauge NLA
- 419860 (26.) Flexi hose for ditto
- 419834 (27.) Elbow union fo ditto NLA
- 1606877 (28.) Oil pressure sender
- 682161 Fuel gauge NLA
- 682158 Clock (later 1212961) NLA
- 40136 (29.) Rubber grommet
- 941263 (30.) Rubber grommet
- 941265 (31.) Rubber grommet



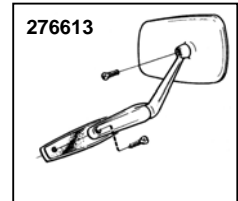
276614 Door mirror (**original fitting/option 1968-'72**), arm attached to front of base. Fitted with threaded studs through door panel. (blue-tinted flat glass). Fits BOTH sides.

Copyright  
CVI Automotiv<sup>®</sup>



276613 Door mirror (**first fitted 1973**), with arm fixed to rear of base to rear of base, blue-tinted flat glass. Fits BOTH sides. (Fitted by means of 2 screws from the outside)

Copyright  
CVI Automotiv<sup>®</sup>



1213608 **New!** Mirror head, convex blue-tinted glass (use with 276613 or 276614 above)

277521 (RP) Wing mirror with round head  
277521 (RK) Wing mirror with round head

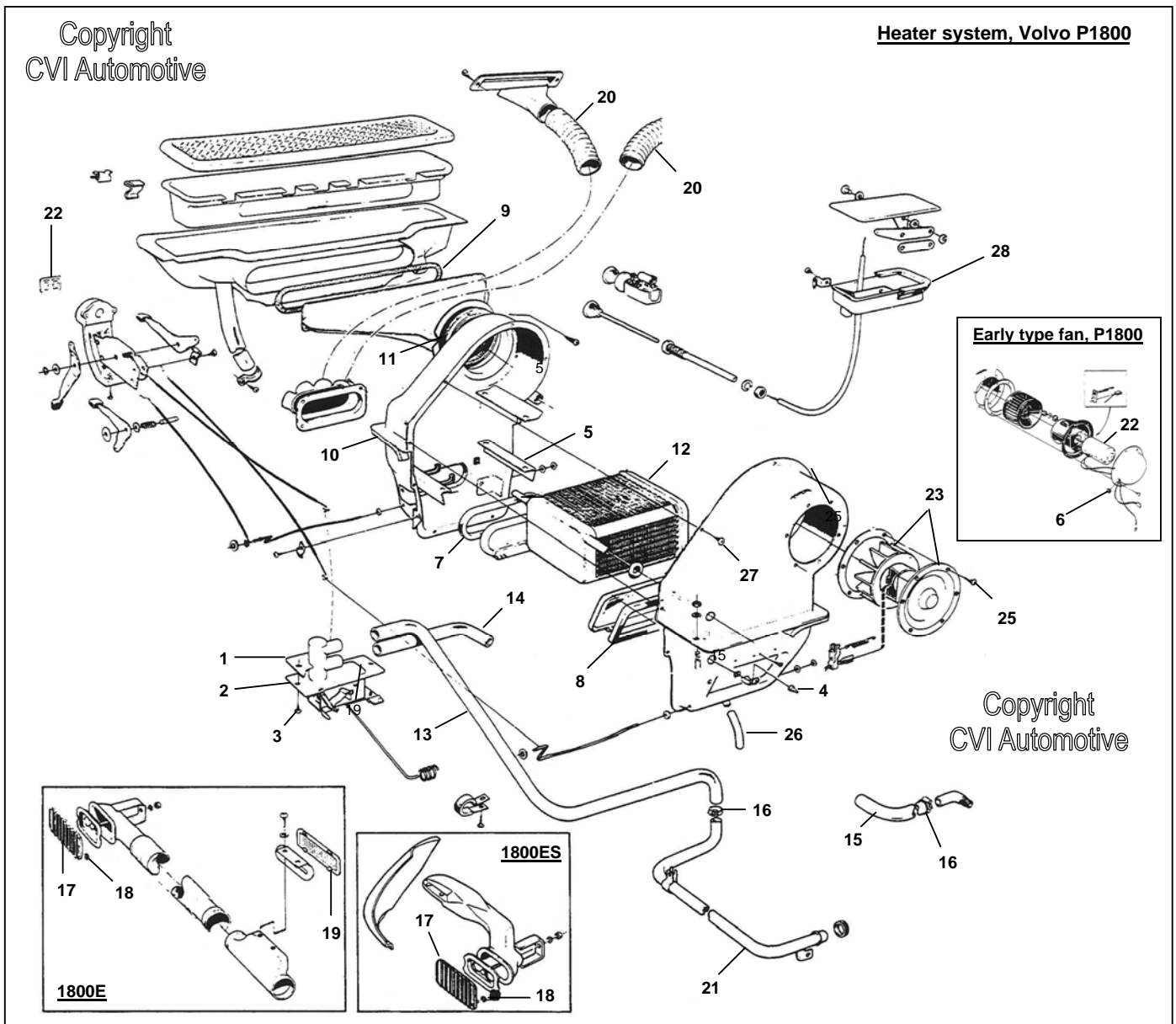
flat glass  
convex glass



CVI-619F Cone-shaped racing mirror (chromed)  
CVI-619C Cone-shaped racing mirror (chromed)

flat glass  
convex glass

<u>Part #</u>			<u>Part #</u>		
673451	(1.)	Heater control valve	941424	(20.)	Defroster hose (2 m per car)
659357	(2.)	Rubber seal	418628	(21.)	Water return pipe, B18 ('61-'64) Use 419331
955126	(3.)	Screw (2/valve)	419414	(21.)	Water return pipe, B18 ('65-'68), B20 (LHD) Call
93963	(4.)	Rubber plug (2 per car)	419746	(21.)	Water return pipe, B20 (RHD) Call
82429	(5.)	Rubber button (8 per car)			We offer pipe 419331 with a slightly different angle at the heater end - 240 kronor
40136	(6.)	Grommet (for cable) (-ch 2139)			
658722	(7.)	Sponge seal for defroster flap	419331	(21.)	Water return pipe, B20
658728	(8.)	Sponge seal for heater flap			
670384	(9.)	Sponge seal, behind heater unit	668606 (ER)	(22.)	Fan motor, early type (rebuilt <u>exchange</u> ) Call
661561	(10.)	Sponge seal, under heater unit	671436 (B)	(23.)	Fan motor (second-hand, late type)
669544	(11.)	Sponge seal, round			
661546	(12.)	Heater core NLA	955136	(25.)	Screw (9 per car)
673707	(13.)	Heater hose, long type (formerly 661560)			
673706	(14.)	Heater hose, from valve (formerly 661551)			
673705	(15.)	Heater hose, from core (formerly 661552)	661063	(26.)	Drain hose, under heater unit
951789	(16.)	Hose clamp (6 per car)	955137	(27.)	Screw (8 per car)
683441	(17.)	Ventilator grille, on rear wing, 1800E/ES	673472		Decal, heater instruction (not ES 1973)
191695	(18.)	Starlock washer	1214276		Decal, heater instruction (ES 1973)
683440	(19.)	Ventilator grille, internal, 1800E	662968	(28.)	Seal for ventilator intake



2001	Haynes Workshop manual for Volvo Amazon/1800 series
2003	"Essential Volvo 120 series" by Anders Ditlev Clausager
2005	"Volvo P120 - The Amazon Series" by Dieter Günther & Walter Wolf
2006	B18 Workshop manual (copy)
2007	1800 E/ES Workshop manual, 1972 (copy)

**SPARE PARTS CATALOGUES (VOLVO)**

212121	Volvo Spare Parts catalogue, Volvo P1800 (B18 1961-1968)
212123	Volvo Spare Parts catalogue, Volvo P1800 (B20 1969-1973)
2008	Volvo fast moving parts catalogue for Amazon, PV/Duett, 140/160 1970

**STICKERS AND DECALS**

1006	B18B/D Air filter 1961-1966	LHD (AC)	73606
1007	B18B/D Air filter 1961-1966	RHD (Coopers)	667583
1008	B18 Charging regulator (Bosch 12v)		
1009	B18 Ignition coil (yellow)		
1010	B18B/D Air filter ('67-'68)	LHD & RHD	672280/81
1012	B18 Ignition coil (white, '67-'68)		
1013	B18 Radiator sticker		
672765	B18/B20 Alternator warning (from '67 GT, 121/122 '68-)		
1014	B20 Ignition coil (green, '69-'70)		
1015	B20/B30 Valve cover sticker ("Check belt tension acc to...")		
1016	B20 Radiator sticker ("Filled with genuine Volvo coolant...")		
1017	"TUDOR Safety Sweden" (old batteries)		
678127	Reflector sticker on door edge		
1018	"Do not open See Instruction book" (radiator cap, '67-'70)		
1019	"Fill cooling system here" (expansion bottle cap '67-'70)		
1020	"A Product of Superb Swedish Engineering" (back window)		
1021	H sticker, for "högertrafik", when Sweden changed over in '67		
1022	"Volvo Rally - European Champion 1963 & 1964"		
1026	"Bosch Volvo Imp", on alternator (Amazon, 140, P1800)		
1029	"Brrrrrrrrrrrrrr" Air condition decal		
673472	Heater control	(not ES 1973)	
1214276	Heater control	(ES 1973)	
1031	"Shut Carefully etc" (1800 ES tailgate sticker)		
1037	Decal (ATE T51) on brake servo		

Dear Customer

We at CVI hope that you will find (and continue to find) this catalogue a great help in assisting in the restoration or ongoing maintenance of your Volvo. Our aim is to enable you to identify the parts you want as easily as possible. This will not only help you to acquire the parts you want but will also help us to pick and pack the correct parts.

We have now set up a webshop to enable you to place orders in as easy a manner as possible. Please remember that it helps both you and us if you always use the same e-mail address when you go to the check-out.

**Sending goods in return/Sending core units for rebuild**

In order for CVI to avoid having to pay Swedish import duties and VAT when goods are returned, or when sending us, say, SU carburettors for rebuild, it is **MOST IMPORTANT** to mark the package as follows:

1.) When returning goods:

**"Defective goods returned under warranty - no commercial value for Customs purposes"**

1.) When sending goods for re-build:

**"Goods sent for renovation/re-build and return - no duties or VAT applicable"**

**Please note: We reserve the right to alter prices without prior notice**

[WWW.CVI-AUTOMOTIVE.SE](http://WWW.CVI-AUTOMOTIVE.SE)