



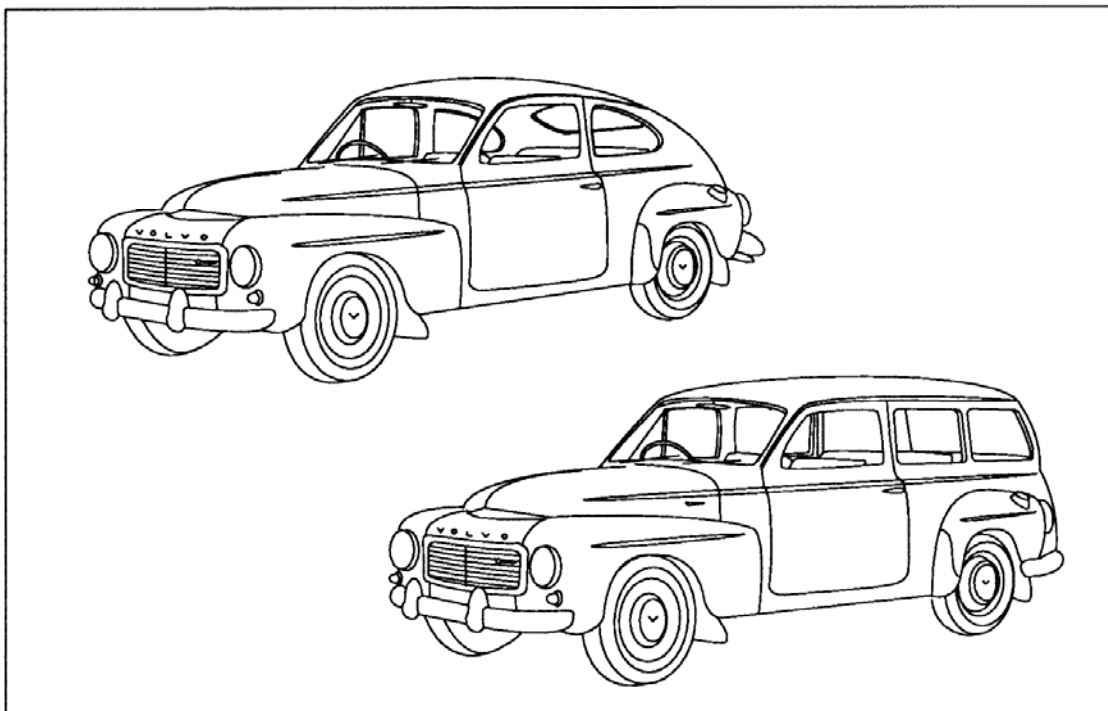
# AUTOMOTIVE AB

*Volvo PV444/544 P120 Amazon P1800 Specialists*

CVI Automotive AB  
Malnvägen 10  
824 50 Hudiksvall  
SWEDEN

Tel: (+46) 650 75900  
Fax: (+46) 650 75901  
Internet: [www.cvi-automotive.se](http://www.cvi-automotive.se)  
e-mail: [info@cvi-automotive.se](mailto:info@cvi-automotive.se)

## CATALOGUE *for genuine & remanufactured* VOLVO PV544 AND P210 DUETT SPARE PARTS



**ALL PRICES INCLUDE VAT. NON-EU CUSTOMERS DEDUCT 20% FROM PRICES STATED  
VAT REG N° SE556617846201**

CVI AUTOMOTIVE AB  
BANK: SVENSKA HANDELSBANKEN  
BANKGIRO: 5044-5691  
POSTGIRO: 6412737-6  
ORG. N° 556617-8462

**CATALOGUE DATE: December, 2007**

© 2003 CVI Automotive AB - issued on the agreement that no information contained herein may be reproduced in part or whole without the written consent of CVI Automotive AB.

2003 - Reservation for price changes



# CVI AUTOMOTIVE AB

PV 444/544, P120 AMAZON & P1800 SPECIALISTS

Malnvägen 10  
824 50 Hudiksvall  
SWEDEN

TEL: + 46 650 75900  
FAX: + 46 650 75901

## CATALOGUE OVER SPARE PARTS FOR VOLVO PV 444, PV 544, PV 445 and P210 DUETT SPARE PARTS

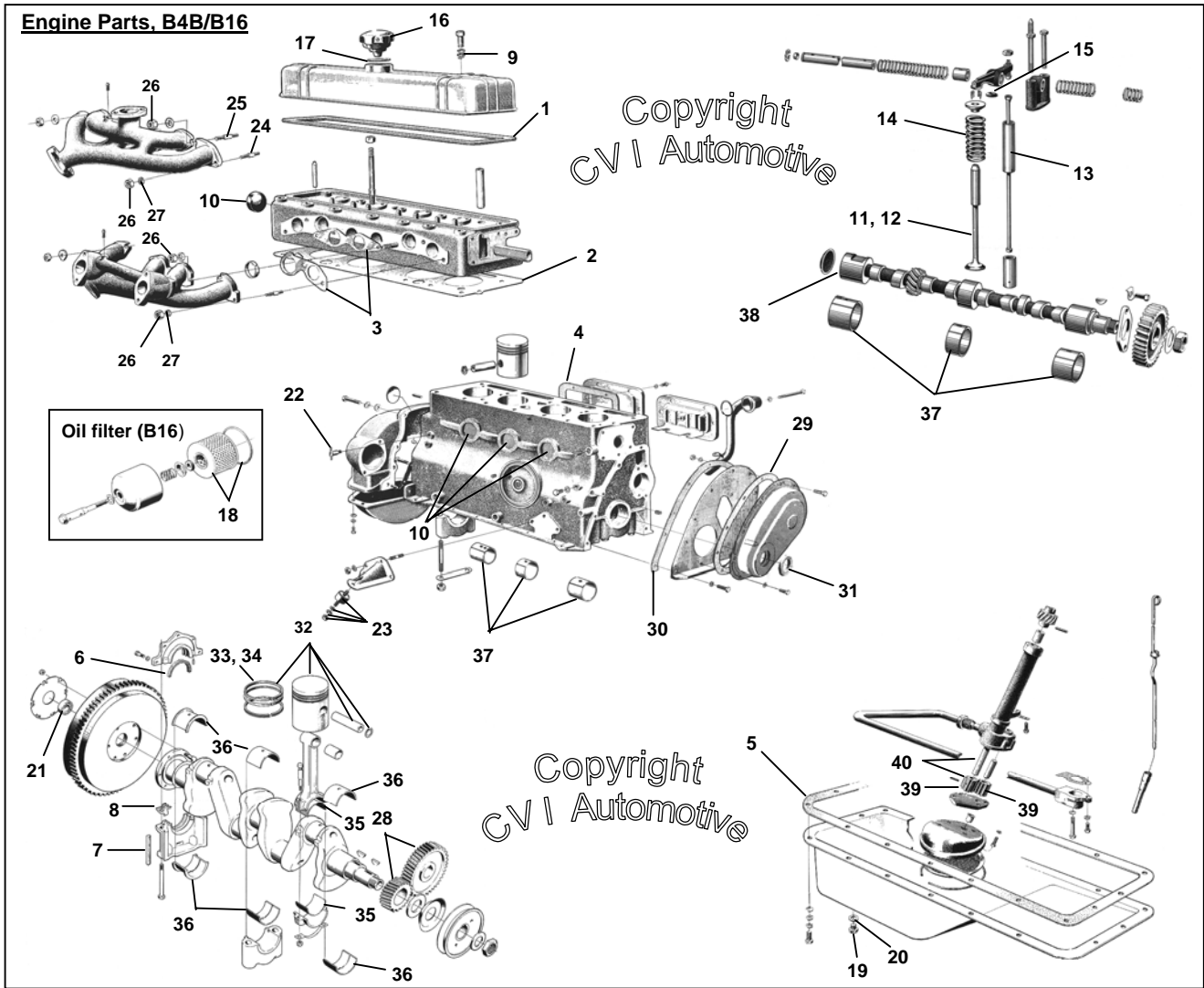
- Parts are Volvo genuine (or from Volvo's genuine suppliers) if Volvo's part number is used
- "R" or -1 means that the item is remanufactured. **NOTE! Please include the "R" or -1 when ordering!**
- "pc." means price per piece. "pr." means price per pair
- "B" means that the item is used (not new): please call for further details
- "CH" means chassis number "NLA" means no longer available
- "LHT" means that the headlamp dips to the left (ie . Lh traffic): "RHT" means it's for RH traffic

- **NOTE! We have a minimum order value of SEK 600 (excluding VAT and freight)**

### CONTENTS

Page 3:	Engine Parts, B4B, B14A, B16	Page 24:	Rear axle parts - explanation
Page 4:	Engine Parts, B18	Page 25:	Rear axle parts: Rear wheel bearings
Page 5:	Engine Parts, B18 (cont'd.)	Page 26:	Rear axle suspension (PV) Rear leaf springs, Duett
Page 6:	Engine Parts, B18 (cont'd.)	Page 27:	Front suspension
Page 7:	Fuel pumps and repair kits	Page 28:	Steering system
Page 8:	Carter carburettor, B4B 1947-1953: Repair kit for Zenith 30 VIG 9, B4B 1953-1956	Page 29:	Brake system (hoses & pipes): Brake master cylinders
Page 9:	Zenith 34 & 36 VN carburettors:      Air filters: Throttle & choke linkage (B16A & B18A, to 1966)	Page 30:	Brake system (B4B/early B16)
Page 10:	Stromberg carburettor (B18A, 1967-1969): Air filter:                      Throttle and choke linkage	Page 31:	Brake system (late B16/B18)
Page 11:	SU carburettors (B14A & B16B engines): Throttle and choke linkage:      Air filters	Page 32:	Rubber seals
Page 12:	SU carburettors (B18D engine): Throttle and choke linkage:      Air filters	Page 33:	Body panels, PV
Page 13:	Cooling system	Page 34:	Body panels, PV
Page 14:	Ignition system	Page 35:	Body panels, Duett
Page 15:	Exhaust system, B16	Page 36:	Body panels, Duett
Page 16:	Exhaust system, B18	Page 37:	Badges & external trim
Page 17:	Charging system	Page 38:	Bumpers:                      Hubcaps
Page 18:	Wiring harnesses:              Fuses: Instruments:                      Switches	Page 39:	Dashpadding:      Dash parts (a few) PV floor mats, kick panels & parcel shelf mat.
Page 19:	Interior lighting, PV 444/445 (early): Indicators front, PV 444/445 1957: Stop- & taillamp, PV 444 1957: Front lights, PV 544/Duett	Page 40:	Headlinings & door panels, PV:
Page 20:	Rear lights, PV 544/Duett: Interior light, PV 544/Duett	Page 41:	Seat upholstery, PV 544 (B18)
Page 21:	Windscreen wipers and washers: Speedo cables & speedo drive gears	Page 42:	Interior, Duett:              Windscreens Heated rear screen, PV 544
Page 22:	Clutch:                      Clutch mechanism	Page 43:	Heater system
Page 23:	Gearbox:                      Propshaft and Ujs.	Page 44:	Decals (stickers):      Parts Catalogues Door mirrors
		Page 45:	Accessories
		Page 46:	How to order - Very important!

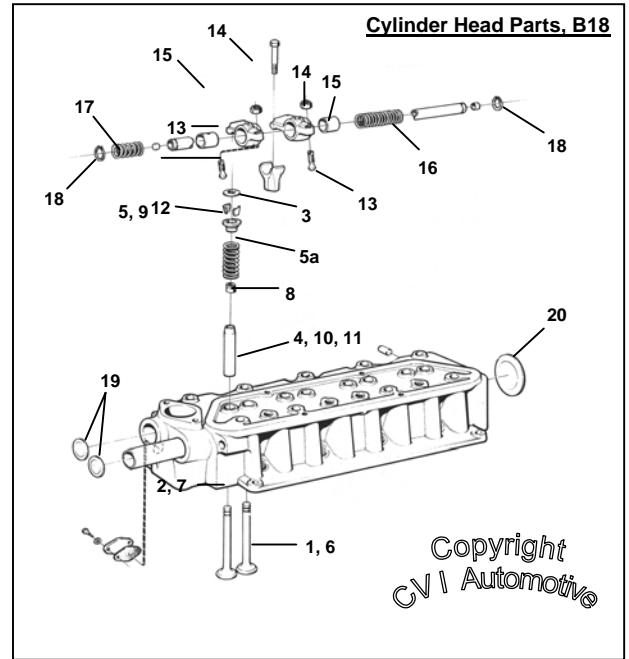
**Remember: if the item you want is not mentioned in the catalogue then WE DO NOT CARRY THAT ITEM!  
Sorry, but you must continue to search for the item elsewhere.**



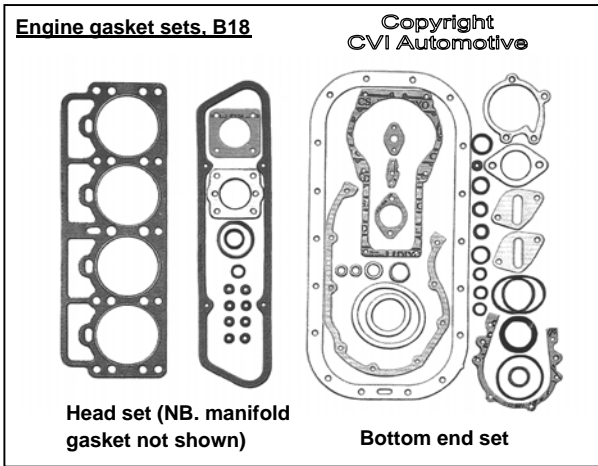
54971	Head set, B16	(genuine)	11009	(21.) Gearbox input shaft support bearing (R)	
			82744	(22.) Drain cock, on engine block	
54325	Engine gasket set, B4B	(R)			
54970	Engine gasket set, B16	(genuine)	191163	(24.) Manifold stud (40 mm)	
			191162	(25.) Manifold stud (42 mm)	e 191163
403087	(1.) Rocker cover gasket	(genuine)			
403598	(2.) Cylinder head gasket, B4B	(genuine)	273059	(23.) Engine mounting kit (2 per car)	
403808	(2.) Cylinder head gasket, B16	(genuine)			
54420	(3.) Manifold gasket set, B4B		17624	(26.) Nut (brass)	
275401	(3.) Manifold gasket set, B16	(genuine)	955894	(27.) Washer	
			418121	(28.) Timing gear set (gears, gaskets, felt seal)	NLA
403052	(4.) Gasket, inspection covers	(2/engine)	403075	(29.) Timing cover gasket (front)	
403017	(5.) Sump gasket	(genuine)	403074	(30.) Timing cover gasket (rear)	
13236	Felt seal, B4B, early B16	(2/engine)			
190219	(6.) Felt seal	(2/engine)	19236	(31.) Felt seal, front (early B4B)	
403090	(7.) Seal fillet		190537	(31.) Felt seal, front (late B4B, B16)	
403887	(8.) Gasket				
190817	(9.) Rubber o-ring				
70792	(10.) Core plug	4/car	275112	(32.) Piston (with rings), B16 (std)	
			275121	Piston (with rings), B16 (+020")	Call
403388	(11.) Inlet valve, B4B		275122	Piston (with rings), B16 (+030")	
403389	(12.) Exhaust valve, B4B				
403881	(11.) Inlet valve (B14A/B16)		54490/93/94	(33.) Piston ring set, B4B (std/020"/030")	
403486	(12.) Exhaust valve (B14A/B16)		275215	(34.) Piston ring set B16 1 eng. (std)	
<b>403486-1</b>	<b>Engine valve set, B14A/B16 (4in+4ex)</b>		275217	Piston ring set B16 (+020")	
			275218	Piston ring set B16 (+030")	
403390	(13.) Valve guide		275219	Piston ring set B16 (+040")	Call
403717	(14.) Valve spring				
405357	(15.) Protector ring, above valve		276658	(35.) Big end bearing set (std)	
			276659	Big end bearing set (- 0.010")	
403515	(16.) Oil filler cap		276660	Big end bearing set (- 0.020")	
940096	(17.) Seal under cap (genuine)				
87970	Oil flexi hose, B4B		276686	(36.) Main end bearing set (std)	
180110	Elbow union, at filter, B4B		276687	Main end bearing set (- 0.010")	
89340	Oil filter insert, B4B		276688	Main end bearing set (- 0.020")	
403984	(18.) Oil filter insert, B16		403737	(37.) Camshaft (B16B)	
190798	(19.) Oil drain plug		403110-1	(38.) Bush set for camshaft	
18818	(20.) Copper gasket		418103	(39.) Oil pump gears	NLA

- 419368 (1.) Inlet valve, B18
- 419292 (2.) Exhaust valve, B18
- 419292-1 Engine valve set, B18 (4 in + 4 ex)
- 415424 (3.) Valve stem seal, B18 (genuine)
- 415424-1 Valve stem seal set (8 pieces)
- 415266 (4.) Valve guide, B18 (inlet/exhaust)
- 415035 (5.) Valve collet, B18 (2 per valve)
- 415273 (5a.) Lock washer (1 per valve)
- 8291532 Hardened valve seat, for lead-free conv'n.
- 418737 (12.) Valve spring, B18/B20 (genuine)
- 418286 (13.) Tappet adjuster screw, B18/B20
- 921781 (14.) Lock nut, tappet adjuster
- 418297 (15.) Rocker arm bushing
- 418426 (16.) Spring (3 per car)
- 411140 (17.) Spring (2 per car)
- 914456 (18.) Circlip
- 418717 (19.) Core plug (35 mm) 2/car
- 418718 (20.) Core plug (45 mm) 7/car

NLA



**Engine Full Gasket Sets**



- 275439 Manifold gasket set, '61-'66
- 275480 Manifold gasket set, '67-'70
- (These include manifold gasket + downpipe gasket)

- 275411 Head set, B18 (incl. m'fold gaskets) Elring
- 275411-1 Head set, B18 (incl. manifold gaskets) (R)

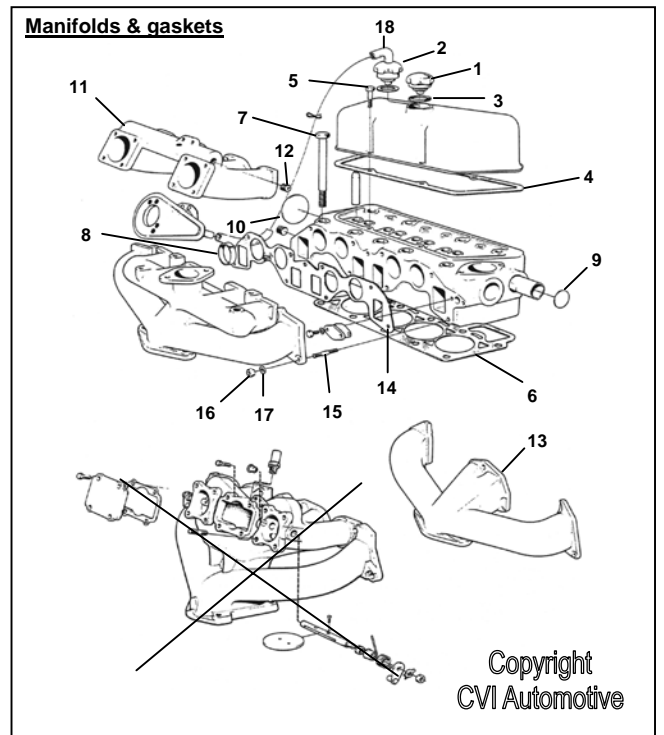
- 270628 Bottom end set, B18/B20 (genuine)
- 270628-1 Bottom end set, B18/B20 (R)

- 275411/270628 Engine gasket set, B18 (genuine)
- 275494 Engine gasket set, B18 (R)

Elring is top quality German manufacturer that also supplies OE

**Cylinder Head/Valve cover gaskets: Oil Filler Caps**

- 403515 (1.) Oil filler cap, without vent
- 418954 (2.) Oil filler cap, with vent
- 940096 (3.) Seal, under cap (genuine)
- 419678 (4.) Rocker cover gasket (genuine)
- 950045 (5.) Screw for rocker cover (4 per car)
- 418990 (6.) Cylinder head gasket, B18
- 191523 (7.) Bolt for cylinder head (genuine)
- 191523-10 Bolt set for cylinder head (10 bolts)
- 418408 (8.) Guide sleeve
- 418717 (9.) Core plug (35 mm) 2/car
- 418718 (10.) Core plug (45 mm) 7/car
- 418910-B (11.) Inlet manifold, B18D (2nd-hand)
- 952075 (12.) Plug on manifold
- 418405 (13.) Exhaust manifold, B18D (single downpipe)
- 418870 (14.) Manifold gasket
- 953238 (15.) Manifold stud (38 mm)
- 953241 Manifold stud (45 mm)
- 953243 Manifold stud (50 mm)
- 955826 (16.) Nut for studs
- 191169 (17.) Washer for manifold studs
- 460003 (18.) Hose, B18D '61-'66 w. Pos. crank ventn.



**Camshafts, Cam followers (lifters):**

(Note: new cams should always be fitted with new followers - and vice versa)

- |         |                         |         |                    |
|---------|-------------------------|---------|--------------------|
| 460490  | (1.) Camshaft, type "A" | 1218580 | Camshaft, type "D" |
| 1218579 | Camshaft, type "C"      | 1218581 | Camshaft, type "K" |

- |        |                                   |
|--------|-----------------------------------|
| 910118 | (2.) Woodruff key for camshaft    |
| 418363 | (3.) Spacer ring, behind camshaft |
| 150169 | (4.) Camshaft nut                 |

- |         |              |              |
|---------|--------------|--------------|
| 1218630 | Cam follower | (ref 418423) |
|---------|--------------|--------------|

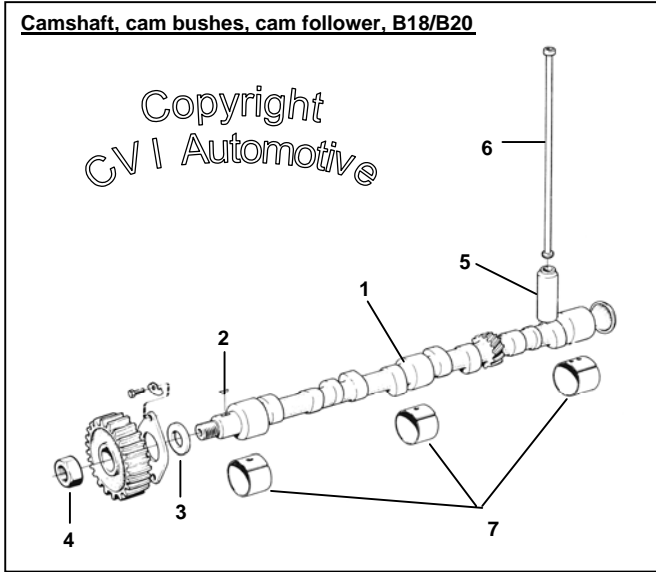
**NB! Warranty for cams and followers is only given when both items are purchased - and fitted - at the same time!**

- |        |  |              |
|--------|--|--------------|
| 418304 | (6.) Pushrod   | (heavy-duty) |
| 430119 | } <b>430119-1</b> Camshaft bearing set, standard sizes |              |
| 418249 |  |              |
| 418250 |  | (7.)         |

**Camshaft Kits (include cam & 8 followers + assembly grease):**

- |        |                        |
|--------|------------------------|
| 275761 | Camshaft kit, type "A" |
| 275762 | Camshaft kit, type "C" |
| 275763 | Camshaft kit, type "D" |
| 275764 | Camshaft kit, type "K" |

**Camshaft, cam bushes, cam follower, B18/B20**



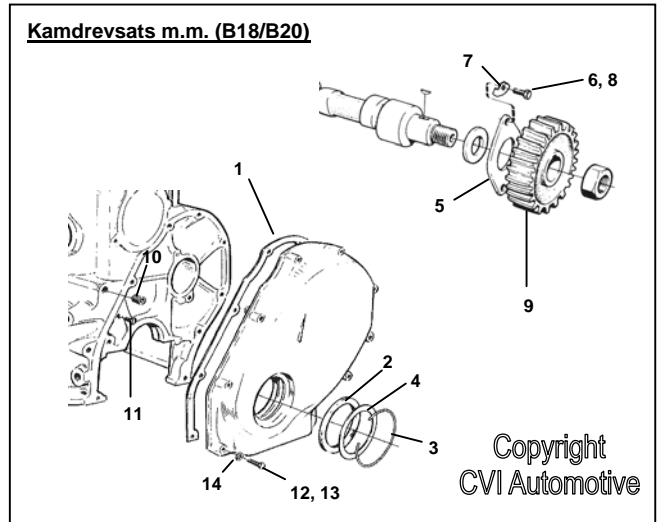
**Timing gears, ancillaries and gear sets:**

- |        |                                   |                       |
|--------|-----------------------------------|-----------------------|
| 418272 | (1.) Timing cover gasket          | (extra thick)         |
| 418622 | (2.) Felt seal, in timing cover   |                       |
| 418624 | (3.) Circlip                      |                       |
| 418626 | (4.) Retainer ring                |                       |
| 419681 | (5.) Thrust flange                | (genuine)             |
| 955512 | (6.) Screw, early type            | Use lock screw 943455 |
| 418422 | (7.) Lock washer, early type      | Use lock screw 943455 |
| 943455 | (8.) Lock screw for thrust flange | (2/car)               |

- |          |                              |           |
|----------|------------------------------|-----------|
| 270690-9 | (9.) Timing gear set (fiber) | (genuine) |
| 271944   | Timing gear set (steel)      | (genuine) |
- (NB. Crankshaft gear not shown in this illustration - see page 4)

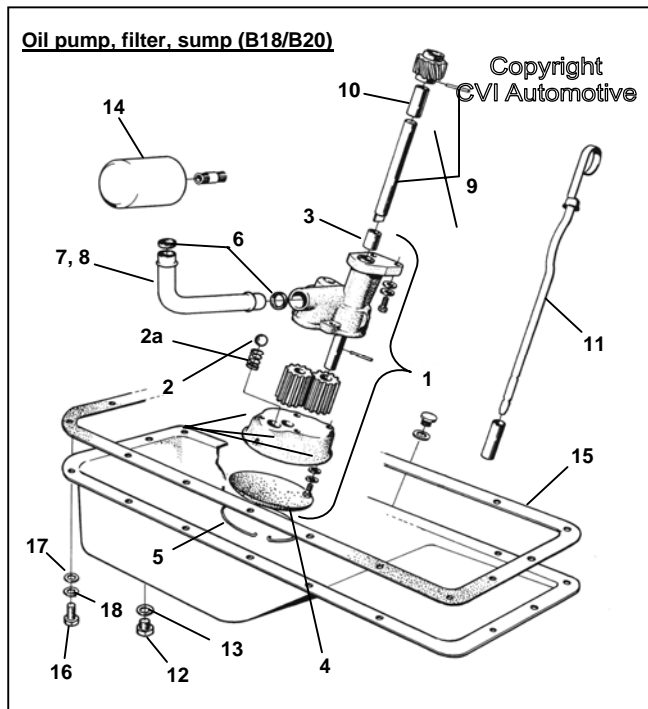
- |        |                                   |       |
|--------|-----------------------------------|-------|
| 952075 | (10.) Oilway plug                 |       |
| 418416 | (11.) Oil feed nipple             |       |
| 955514 | (12.) Bolt for timing cover 25 mm | 2/car |
| 940158 | (13.) Bolt for timing cover 45 mm | 7/car |
| 941906 | (14.) Lock washer (waved)         | 9/car |

**Kamdrevsats m.m. (B18/B20)**

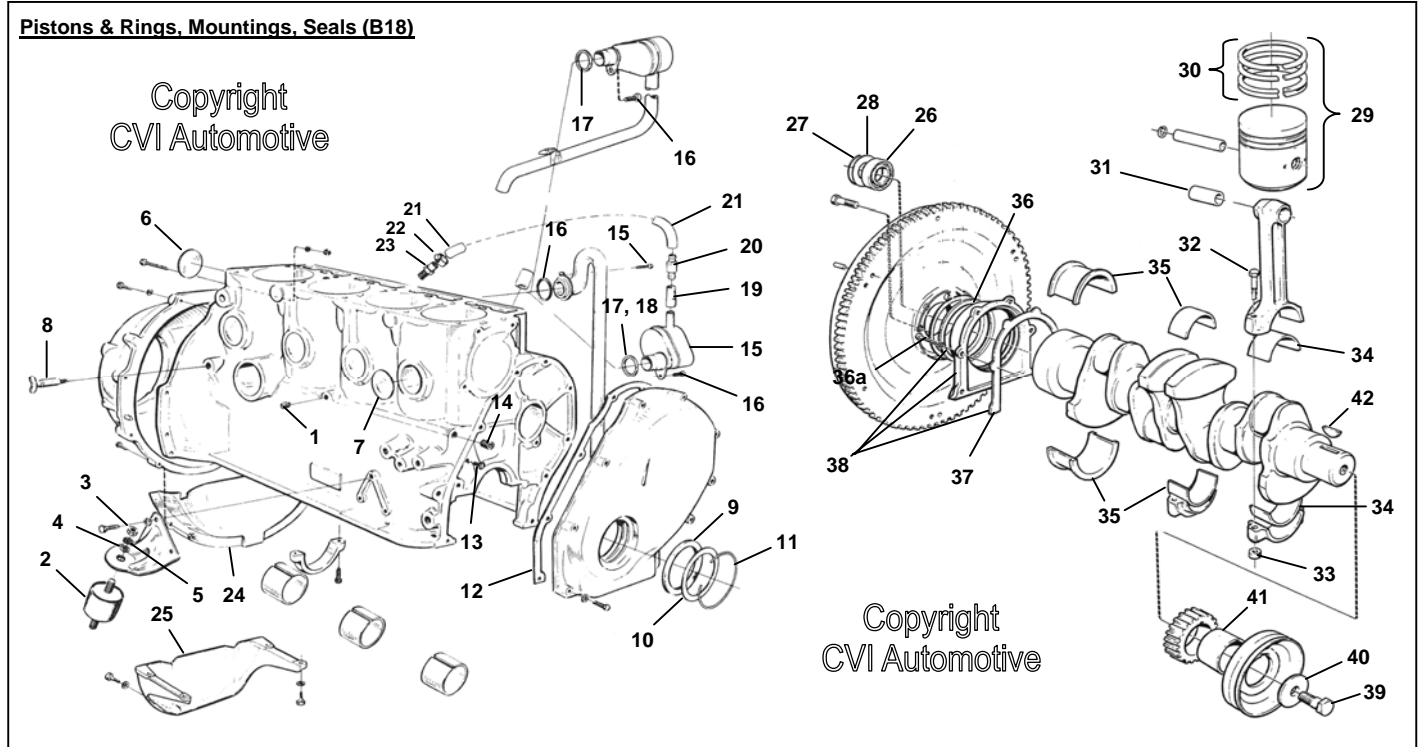


**Oil Pump, Oil Filter, Sump Plug and Gasket:**

**Oil pump, filter, sump (B18/B20)**



- |          |   |             |
|----------|---|-------------|
| 1218706  | (1.) Oil pump                                       | (aluminium) |
| RV-510   | (2.) Repair kit, for B20 type oil pump              |             |
| 430161   | (2a.) Return spring, in oil pump                    |             |
| 18130    | (3.) Bushing  |             |
| 418288   | (4.) Strainer for oil pump                          |             |
| 418289   | (5.) Lock ring, for strainer                        |             |
| 418360   | (6.) Rubber seal for oil delivery pipe              |             |
| 418627   | (7.) Oil delivery pipe, B18                         |             |
| 419539   | (8.) Oil delivery pipe, B20 (for current oil pumps) |             |
| 418277   | (9.) Distributor drive gear                         |             |
| 418251   | (10.) Bush for drive gear                           |             |
| 190798   | (12.) Oil drain plug                                |             |
| 18818    | (13.) Copper gasket                                 |             |
| 948187   | (12+13.) Oil drain plug + 18818                     | (magnetic)  |
| 1606877  | Oil pressure sender                                 | (R)         |
| 3517857  | (14.) Oil filter                                    | (genuine)   |
| 418432-1 | Oil filter  | (Mann)      |
| 418262   | (15.) Sump gasket                                   |             |
| 955523   | (16.) Bolt for sump attachment (length = 16 mm)     |             |
| 955524   | (16.) Bolt for sump attachment (length = 19 mm)     |             |
| 955894   | (17.) Flat washer                                   |             |
| 941907   | (18.) Curved spring washer                          |             |



		(Note. Pistons are sold in singles: ring sets are for 1 engine)	
277016	Engine paint, red (250 ml can) (R)		
1606877	(1.) Oil pressure sender (R)	275193	(29.) Piston with rings, B18, std. (Volvo/Mahle)
89095	(2.) Engine mounting See 273059	275194	Piston with rings, B18 020" (Volvo/Mahle)
955850	(3.) Nut for engine mounting	275195	Piston with rings, B18 030" (Volvo/Mahle)
960145	(4.) Washer	275196	Piston with rings, B18 040" (Volvo/Mahle)
955924	(5.) Spring washer	275282	(30.) Piston ring set, B18, std. (genuine)
<b>273059</b>	<b>Engine mounting kit (with nuts/washers)</b>	275282-1	Piston ring set, B18, std.
273059 (C)	Engine mounting, for <u>competition</u> use	275283	Piston ring set, B18 020" (Perfect Circle)
89731	Gearbox mounting (1954-1969)	275284	Piston ring set, B18 030" (genuine)
<b>CVI-008</b>	<b>Complete mounting kit (for 1 car)</b>	275285-1	Piston ring set, B18 040"
418677	(6.) Core plug (42 mm) 1/engine	275286	Piston ring set, B18 050"
418718	(7.) Core plug (45 mm) 7/engine	418295	(31.) Small end bush (standard)
82745	(8.) Drain cock on engine block	418465	Small end bush (oversize)
418622	(9.) Felt seal, front	415223	(32.) Con rod bolt
418626	(10.) Retainer ring	191410	(33.) Nut
418624	(11.) Lock ring	271051	(34.) Big end bearing set (standard)
418272	(12.) Gasket (extra thick)	271052	Big end bearing set (- 0.010")
418416	(13.) Oil feed nipple	271053	Big end bearing set (- 0.020")
952075	(14.) Engine oilway plug (2 per engine)	276665	Big end bearing set (- 0.030")
418906	(15.) Breather (late B18, use ring 418412)	271003	Big end bearing set (- 0.040")
419808	(15.) Breather (replaces 418906, use ring 419805)	271214	(35.) Main end bearing set (standard)
955512	(16.) Screw	271215	Main end bearing set (- 0.010")
418412	(17.) Sealing ring (early type di = 21)	271216	Main end bearing set (- 0.020")
419805	(18.) Sealing ring (late B20 di = 26)	276701	Main end bearing set (- 0.030")
419422	(19.) Hose	271204	Main end bearing set (- 0.040")
418982	(20.) Valve	418621	(36.) Felt seal, rear (original old-style sealing)
943706	(21.) Hose, crankcase ventilation	418625	(36a.) Retaining ring (original old-style sealing)
942928	(22.) Clip	430134	(37.) Gasket for rear flange (standard)
942461	(23.) Nipple	430134-1	(37.) Gasket for rear flange (thick)
418353	(24.) Cover plate (early type, to 1966)	1218634-S	(38.) Crankshaft seal kit (oil seal type)
419314	(25.) Cover plate (1967-, <u>replaced by 463830</u> )	430118	Oil seal for modern style sealing
11009	(26.) Gearbox input shaft support bearing (R)	940111	(39.) Bolt for crankshaft pulley
191848	(27.) Lock ring	191688	(40.) Washer
418663	(28.) Cover plate	418264	(41.) Hub
		910123	(42.) Woodruff key
		9992405	Puller for crankshaft gear (R)
		WM10402	Workshop manual, engine B18A (genuine)
		WM10115	Workshop manual, engine B18B/D (genuine)

**Tank, PV:**

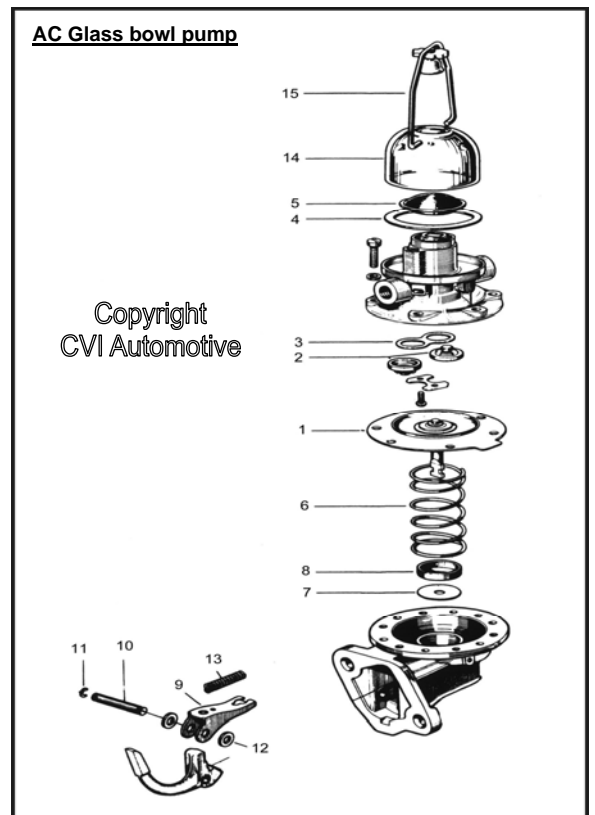
955138	Screws for tank fitting
954336	Screw union, fuel pipe to fuel tank, B16/B18
662153	Tank sender unit, PV 544 (B18) ( <u>Genuine</u> )
89865	Seal for sender unit
FK-001	Fitting kit, sender unit (seal + screws)
13525	Filler hose (R)
121520	Hose clamp for 13525
81891	Collar on early PV filler hose
658049	Filler neck rubber collar, PV B16/B18
662463	Filler cap (444/544)
16335	Seal under filler cap (subject to stock)
277360	Filler cap ( <u>lockable, with Volvo logo</u> )
419796	Fuel hose, in front of pump ('65-'66)
419797	Fuel hose, pump to carburettor ('65-'66)
WK31/2	In-line fuel filter (Mann)
954305	Fuel pipe under car (bundy pipe)
954322	Union (cap) nut for metal fuel pipe

**Tank, 445/Duett:**

89246	Tank sender unit, Duett
89865	Rubber seal, under sender unit
656046	Filler hose, PV 445/Duett B4B/B16
661024	Filler hose, Duett B18 (to order only) Call
951797	Hose clamp, tank end
951795	Hose clamp, filler end Call
665045	Filler cap, PV 445 Call
666181	Filler cap, Duett P210 from ch. 30089-
656047	Outer flap on body, Duett
419796	Fuel hose, in front of pump ('65-'69)
419797	Fuel hose, pump to carburettor ('65-'69)
WK31/2	In-line fuel filter (Mann)
954305	Fuel pipe under car (bundy pipe)
954322	Union (cap) nut for metal fuel pipe

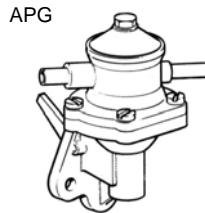
**Fuel pump, with glass bowl, type AC (403269/234008), 1947-1964**

403269	Fuel pump (B4B/B14A/B16)	NLA
234008	Fuel pump (B18) (1961-64)	
CVI-AC1	Union, to use pump with <u>rubber</u> fuel hose	
61942	(1.) Diaphragm (genuine)	
73580	(2.) Valve (2 per pump)	
73582	(3.) Gasket under valve (double: 1 per pump)	
15517	(3.) Gasket, under valve (single: 2 per pump)	
18780	(4.) Gasket under glass bowl (cork type)	Use 190633
190633	(4.) Gasket under glass bowl (rubber type)	
1378905	Gasket, against engine block (2/car)	
<b>276223</b>	<b>Repair kit (nos. 1 - 4, 7, + 1378905 x 2)</b>	
73537	(5.) Strainer	See 276224
234002/3	(7/8.) Seal/retainer	See 276224
61945	(9.) Lever	See 276224
73529	(10.) Shaft	See 276224
70498	(11.) Lock ring (2 per pump)	See 276224
61947	(12.) Washer	See 276224
61949	(13.) Spring	See 276224
<b>276224</b>	<b>Overhaul kit (276223 + above items)</b>	<b>NLA</b>
460678	Plastic spacer pump/engine (ref: 301002)	
73575	(14.) Glass bowl	
73539	(15.) Brace, for glass bowl	
64757	Fuel hose (braided), between pipe & pump	
954343	Elbow union, B16A up to ch. 234528	
954336	Elbow union, B16A from ch. 234529-	
16218	Elbow union, B16B	

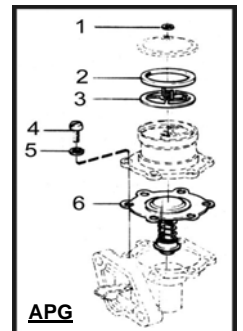


**Fuel pump, type Pierburg (418878, marked "APG"), '65-'69:**

15521	(1.) Fiber washer	See 276520
418948	(2.) Gasket, under lid	
418946	(3.) Strainer (NB. Not included in 276520)	
956078	(4.) Screw	
955918	(5.) Spring washer	
D-418878	(6.) Diaphragm (with spring, seal, retainer)	See 276520
1378905	Gasket, against engine block (2/car)	
<b>276520</b>	<b>Repair kit for 418878 (nos. 1, 2, 4-6)</b>	



Copyright  
CVI Automotive



**Fuel pump, current genuine for B18/B20 (Pierburg):**

1336184	Fuel pump, B18/B20 (genuine)	460678	Plastic spacer pump/engine (ref: 301002)
1336184-1	Fuel pump, B18/B20 (repro)	1378905	Gasket, against engine block (2/car)
419796	Fuel hose, before pump ('65-'69)	419797	Fuel hose, pump to carburettor ('65-'69)

Carburettor, type Carter (B4B), 1947-1953:

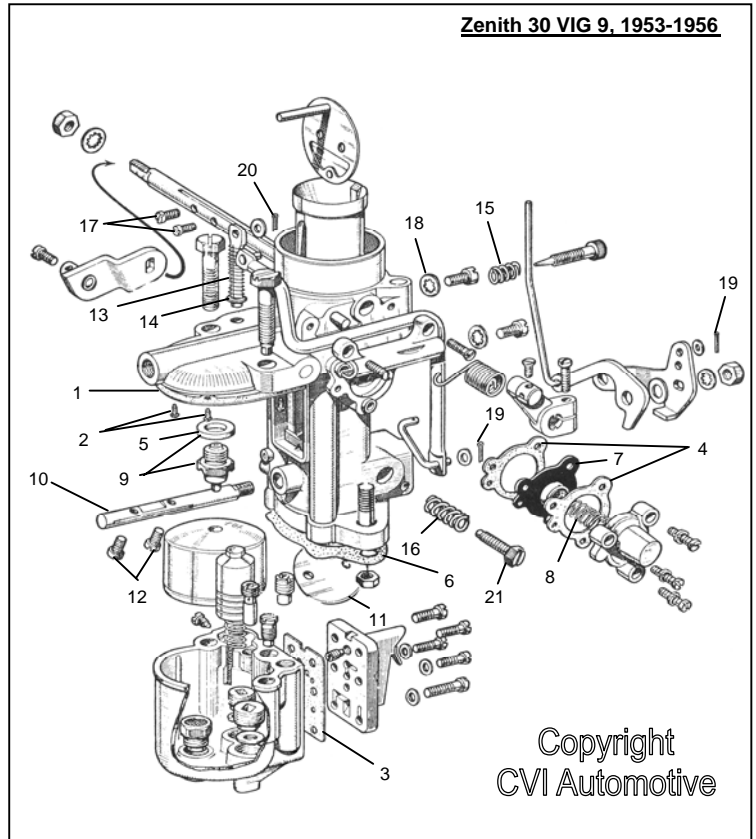
Please register interest on our website if you wish to acquire parts for this carburettor.

61846 Thermostat spiral, carb throttle spindle, B4B 175

Carburettor, type Zenith 30 VIG 9 (B4B), 1953-1956:

(Note. Repair kit fits both carburettor 71670 (C1412) & 71860 (C1412B))

- |               |  |         |
|---------------|--|---------|
| 71860 (ER)    | Rebuilt carburettor ( <u>exchange</u> )        |         |
| 71690         | (1.) Gasket                                    | See set |
| 14949         | (2.) Nail screw                                | See set |
| 71721         | (3.) Gasket                                    | See set |
| 71689         | (4.) Gasket for economy diaphragm              |         |
| 120687        | (5.) Sealing washer                            | See set |
| 403288        | (6.) Gasket                                    | See set |
| <b>275419</b> | <b>Gasket set (no. 1-6)</b>                    |         |
| 71688         | (7.) Diaphragm                                 | See set |
| 71689         | (4.) Gasket                                    |         |
| 71687         | (8.) Spring                                    | See set |
| 71688-1       | Economy diaphragm set (no. 4 (x 2 pc), 7, 8)   |         |
| 71710         | (9.) Needle valve (with washer 120687)         |         |
| 71681         | (10.) Throttle spindle                         |         |
| 71682         | (11.) Throttle disc                            |         |
| 71683         | (12.) Screw, disc to spindle                   |         |
| 71708         | (13.) Spring for pushrod 71707                 |         |
| 71709         | (14.) Washer                                   |         |
| 71714         | (15.) Spring for mixture screw                 |         |
| 71716         | (16.) Spring for stop screw                    |         |
| 71693         | (17.) Screw, air vent disc to air vent spindle |         |
| 11933         | (18.) Lock washer                              | Rep kit |
| 17290         | (19.) Split pin                                | Rep kit |
| 907802        | (20.) Split pin                                | Rep kit |
| <b>276351</b> | <b>Repair kit: contains all above</b>          |         |
| 71715         | (21.) Stop screw                               |         |



Throttle control, B4B/B16:

- |        |  |
|--------|--|
| 81068  | Accelerator pedal, 444 1947-1956           |
| 81803  | Rubber cushion under accelerator pedal     |
| 660533 | Pedal rubber (gas), 1957-1969              |
| 81061  | Rubber seal, under pedal, 444/445 (to '56) |



Zenith 34 VN (B16A) & Zenith 36 VN (B18A) Carburetors:

237027 Zenith 34 VN carburettor, 1957-1960 NLA  
 237128 Zenith 36 VN carburettor, 1961-1966  
 (NB. The above carbs. are brand new - not overhauled)

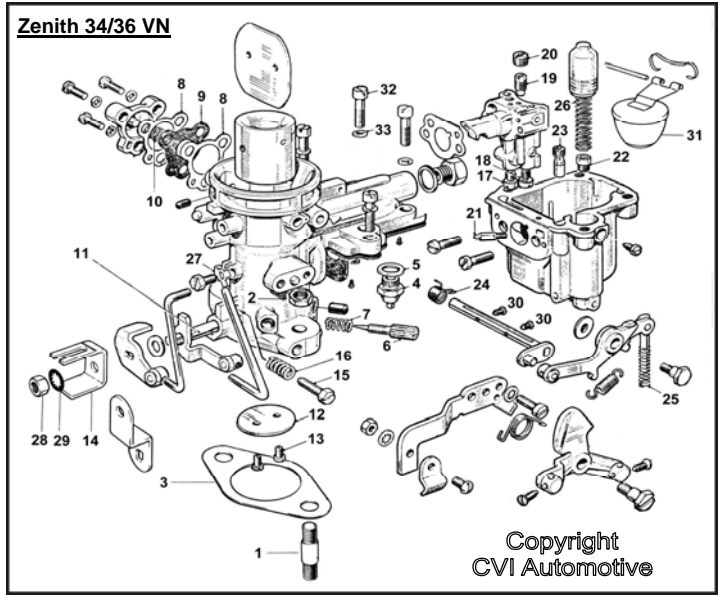
- 953237 (1.) Threaded stud, under carburettor
- 955826 (2.) Nut
- 403882 (3.) Gasket, under carburettor, B16A
- 418549 (3.) Gasket, under carburettor, B18A
- 275418 **Gasket set (incl. retainer nail 950885)**

- 237382 (4/5.) Needle valve and seat (genuine)
- 71955 (6.) Mixture screw (genuine)
- 71956 (7.) Spring for mixture screw (genuine)
- 237058 (8/9/10) Economy diaphragm kit (genuine)
- CVI-ZSK 1 **Service kit (genuine)**

- 71921 (11.) Throttle spindle, 34 & 36 VN (genuine)
- 71922 (12.) Throttle disc, 34 VN (genuine)
- 237152 (12.) Throttle disc, 36 VN (genuine)
- 71683 (13.) Screw, disc to spindle (2 per carb)
- CVI-002/003 Bushes for throttle spindle See kit
- 276290 **Throttle spindle kit, B18A (genuine)**

- 656695 (14.) Lever (late B16, all B18)
- 71715 (15.) Throttle stop screw
- 71716 (16.) Spring, for throttle stop screw

- 237023 (31.) Float, 34 & 36 VN
- 71951 (32/33.) Screw/washer, for float chamber (4/carb.)

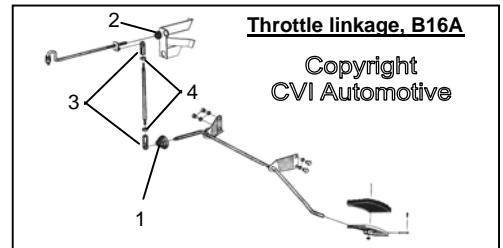


(NB! Overhaul kits include the following: all gaskets plus items numbered 3-29, + bushes and welch plug for throttle spindle but without item no. 14 in B16 set)

276286/289+ Overhaul kit, 34 VN (genuine)  
 276286/290+ Overhaul kit, 36 VN (genuine)

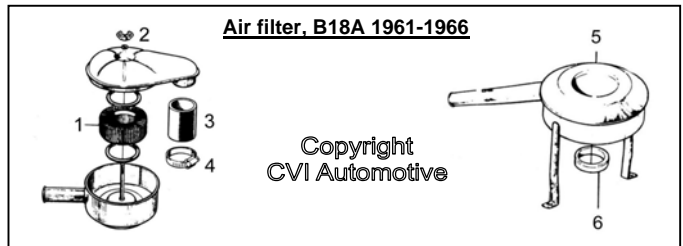
Throttle Linkage, B16A

- 653218 (1.) Dust cover (to engine bay), to ch. 20999
- 658660 (2.) Bush for mainshaft
- 959088 (3.) Ball-joint (with ball & brace)
- 955780 (4.) Nut



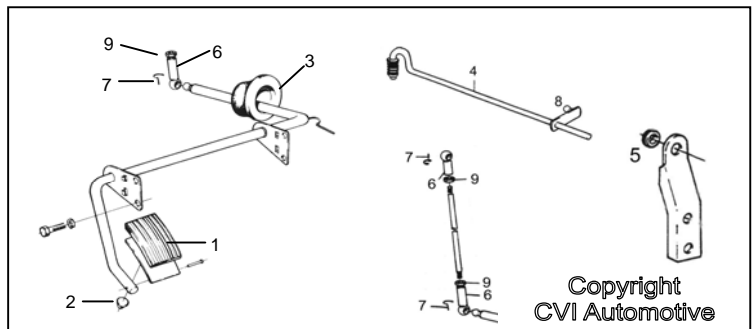
Air filter for B18A (1961-1966)

- 73607 (1.) Filter element (AC filter 73603, early B18A)
- 956903 (2.) Wing nut for filter lid
- 952982 (3.) Connecting hose (fits oilbath filter also)
- 951798 (4.) Hose clamp
- 669893 (5.) Air filter (B18A later ("frying pan") type)
- 656871 (6.) Rubber collar under filter (even B16A)



Throttle Linkage, B18A (up to 1966)

- 660533 (1.) Pedal pad
- 81803 (2.) Rubber cushion, under pedal
- 661967 (3.) Rubber dust seal, to engine bay
- 661963 (4.) Mainshaft
- 656695 Lever, on carburettor (see no. 14 above)
- 666143 (5.) Bush for mainshaft
- 955512 Screw for bracket
- 959088 (6.) Ball-joint (fits later models also)
- 959093 (7.) Locking brace
- Ball (with nut), fits 959088 Included on 959088
- 955780 (9.) Nut, under ball-joint



Choke control, B16A/B18A

- 55192 Choke cable, inner 654507 Rubber grommet, cable through bulkhead
- 88783 Choke cable, outer spiral 55192A **Choke cable, inner & outer, single carb.**

**B18A Carburettor, 1967-1969**

237243 Stromberg 175 CD2S (B18A, '67-'69) (R) NLA

- 820355 (1.) O-ring
- 820356 (2.) O-ring
- 820338 (3.) O-ring

**275489 Gasket, O-ring & lock washer set**

- 237252 (4.) Needle
- 237290 (5.) Jet

- 237666 (6.) Diaphragm (hydrin based) (genuine)
- 237385-1 Diaphragm (nitrile based) (R)

- 237382 (7/8.) Needle valve (with washer 237311)
- 820352 (9.) Screw (with lock washer) vacuum chamber lid

**CDSK 1 Service kit (genuine parts incl. needle)**

- 237268 (10.) Throttle spindle
- 237272 (11.) Throttle disc
- 237273 (12.) Screw, disc to spindle
- CVI-001 Bushes, for throttle spindle in carb. body In kit

**275489/276298 Overhaul kit (gen. parts incl. needle)**

- 237286 (13.) Throttle stop screw
- 820344 (14.) Spring, for throttle stop screw

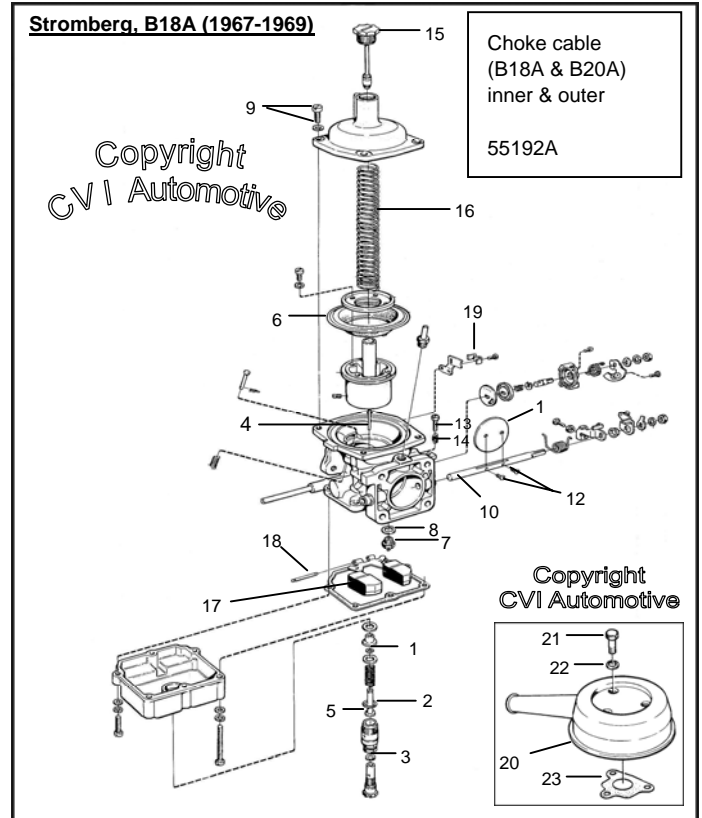
- 237347 (15.) Dashpot lid (damper)
- 237263 (16.) Piston return spring

- 237292 (17.) Float
- 237293 (18.) Float pin

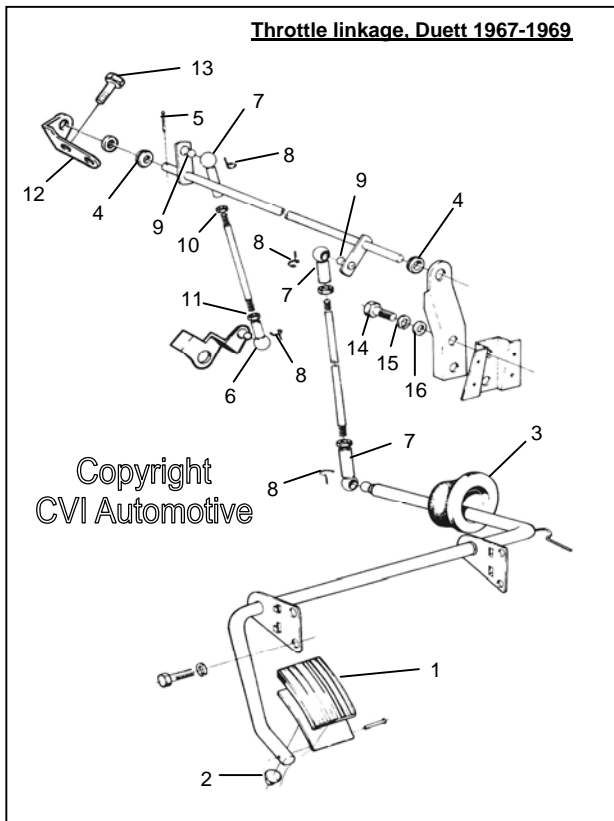
- 237284 (19.) Clamp for (outer) choke cable

- 419578 Heat shield, under carburettor
- 418754 Gasket (heat shield/manifold/carburettor)

- 953237 Threaded stud, under carb.
- 955826 Nut



- 679260 (20.) Air filter (with vent)
- 679261 (20.) Air filter (without vent)
- 955531 (21.) Bolt
- 941907 (22.) Spring washer
- 680642 (23.) Gasket, filter/carburettor



**Throttle linkage, B18A, 1967-'69:**

- 660533 (1.) Pedal rubber
- 81803 (2.) Rubber cushion under pedal
- 661967 (3.) Rubber dust seal, to engine bay
- 666143 (4.) Bush for mainshaft
- 907824 (5.) Split pin
- 942837 (6.) Ball-joint, lh thread (with ball & lock brace)
- 959088 (7.) Ball-joint, rh thread (with ball & lock brace)
- 959093 (8.) Lock brace
- 959094 (9.) Ball (with nut), fits 959088 Buy 959088
- 955780 (10.) Nut, under ball-joint, rh thread
- 942836 (11.) Nut, under ball-joint, lh thread
- 419335 (12.) Bracket NLA
- 955512 (13.) Screw for bracket
- 950045 (14.) Screw for bracket
- 955920 (15.) Spring washer
- 955893 (16.) Washer

**Choke control, B18A, 1967-'69:**

- 55192 Choke cable, inner
- 88783 Choke cable, outer spiral
- 55192A Choke cable, inner & outer, single carb.**
- 654507 Rubber grommet, cable through bulkhead

71870-71 SU H2 carburetors, B14A  
 237069-70 SU H4 carburetors, B16B

Call

- 71818 (1.) Needle, B14A
- 237009 (1.) Needle, B16B (paper filter)
- 237050 (1.) Needle, B16B (oilbath filter)
- 237010 (2.) Piston lock screw, B16B
- 71820 (3.) Jet
- 71841 (4.) Needle valve and seat
- 16347 (5.) Gasket under float chamber lid
- 275420 Gasket set, for 2 carburetors, B14A/B16B
- 275420+ Service kit (above items), for 2 carbs.

- 71848 (6.) Throttle disc, B14A
- 71846/47 (7.) Throttle spindle (front and rear), B14A
- 237014 (6.) Throttle disc, B16B
- 237012/13 (7.) Throttle spindle (front and rear), B16B
- 71849 (8.) Screw, disc to spindle
- 276291 Throttle spindle kit, 2 carbs. (6, 7, 8 + bushes)
- 276216 Overhaul kit (for both carbs.), B14A**
- 276217/291+ Overhaul kit (for both carbs.), B16B**

- 71850 (9.) Throttle shaft return spring
- 71851 (10.) Clamp
- 71852 (11.) Retainer
- 71826 (12.) Jet bearing (upper)
- 18846 (13.) Copper gasket (above jet)
- 71828 (14.) Cork gasket (2/carb)
- 71829 (15.) Washer (2/carb)
- 71830 (16.) Spring
- 71827 (17.) Jet bearing (lower)
- 18847 (18.) Copper gasket, under lower bearing
- 71824 (19.) Cork gasket
- 71825 (20.) Retainer
- 71821 (21.) Lock nut, for jet
- 71823 (22.) Spring
- 71822 (23.) Adjuster nut

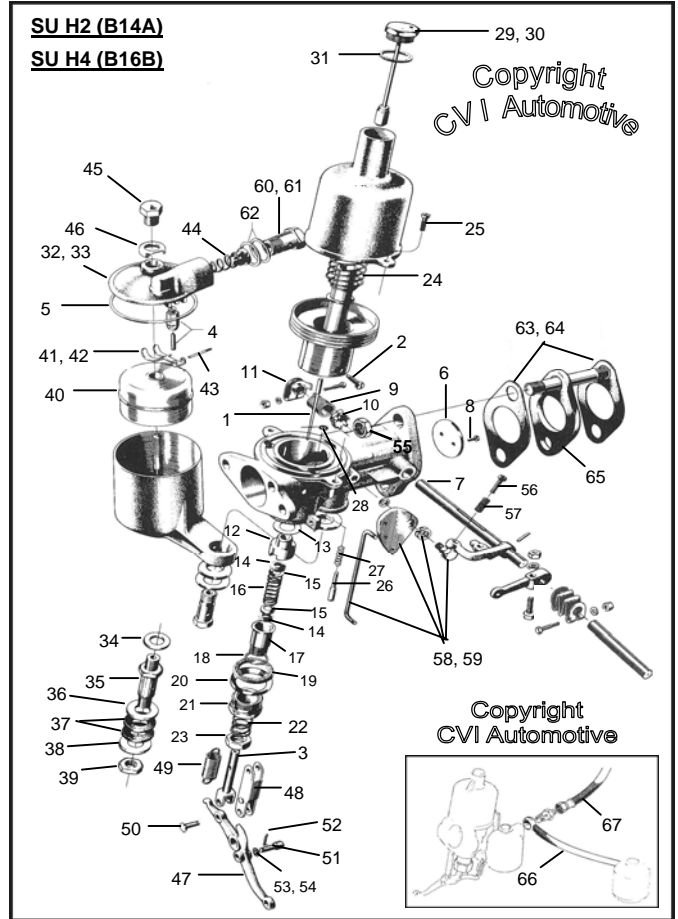
**CVI-1593 Jet bearing kit for 2 carbs (12-23 above)**

- 71816 (24.) Piston return spring
- 14185 (25.) Screw, for vacuum chamber lid
- 237041-1 Lift pin kit, 1 carb. (with nos. 26/27/28.)
- 71817 (29.) Dashpot lid (brass), B14A
- 237008 (30.) Dashpot lid (brass), B16B
- 190349 (31.) Gasket, under lid

- 71838 (32.) Float chamber lid, B14A/early B16B
- 237061 (33.) Float chamber lid, later B16B
- 276404 Fitting kit, for float chamber (34-39)
- 71840 (40.) Float
- 71842-1 (41.) Lever, above float (early copper type)
- 71842-2 (42.) Lever, above float (later stainless type)
- 131016 (43.) Pin

- 71843 (44.) Filter (with spring), float chamber inlet
- 150182 (45.) Nut for float chamber lid (polished brass)
- 237062 (46.) Protector washer, under nut

- 71831 (47.) Lever (brass), under carburettor
- 71832 (48.) Link
- 71833 (49.) Return spring
- 14507 (50.) Cotter pin bolt (3/carb)
- 71834 (51.) Cotter pin bolt (1 on rear carb.)
- 907812 (52.) Cotter pin
- 237054 (53.) Star washer (d = 3/16")
- 237053 (54.) Star washer (d = 1/8")



- 950364 (55.) Nut (B16B)
- 71855 (56.) Idle screw
- 71856 (57.) Spring
- 71835/71857/8 Cam idle set, B14A (58.)
- 237011-1 Cam idle set, B16B (59.)
- 180332 (60.) Banjo bolt, front
- 180333 (61.) Banjo bolt, rear
- 191228 (62.) Fiber washer
- 403796 (63.) Gasket, manifold/insulating flange, B14A
- 418053 (64.) Gasket, manifold/insulating flange, B16B
- 418052 (65.) Insulating flange
- 652136 (66.) Fuel hose (between carburetors)
- 661882 (67.) Fuel hose (from fuel pump)

**Air filter (not on diagram)**

- 652135 Air filter, B14A
- 403750 Gasket, between filter & carburettor, B14A
- 660447 Air filter, B16B
- 403919 Gasket, between filter & carburettor, B16B
- 1001 Decal (sticker), for 660447 filter

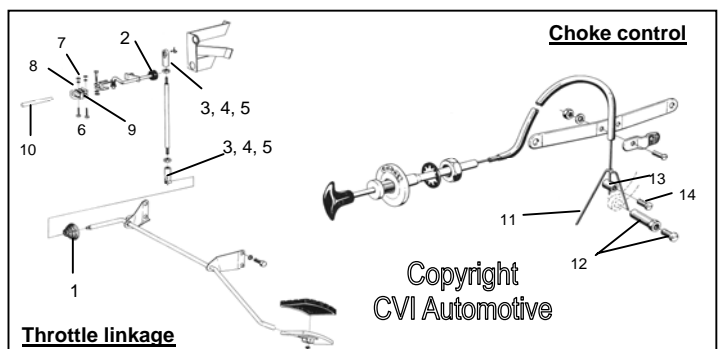
Call

**Throttle and choke linkage, B16B:**

- 653218 (1.) Dust excluder (bellows) (to engine bay)
- 658660 (2.) Bush for mainshaft
- 959088 Ball-joint/ball/brace (3/4/5.)
- 106837 (6.) Bolt
- 150183 (7.) Nut
- 120006 (8.) Washer

- 71910 (10.) Intermediate shaft, B16B
- 71676-1 (6-9.) Coupling, with bolt, nut, washer, shaft

- 71678/79-1 } Stirrup (11.)
- Link pin (complete) (12.) (2 pcs.) }
- 21882 (13.) Retainer
- 14012 (14.) Screw



(More items available - please call)

- 237244/45 SU HS6 (B18D) (NB. 3-bolt filter: state needle)
- 237244/45 (ER) Rebuilt carburettor, exchange (concourse)

- 237145 (1.) Needle ("KA", early standard filter)
- 237221 (1.) Needle ("ZH", later standard filter)
- 237183 (1.) Needle ("KB", early oilbath filter)
- 237249 (1.) Needle ("KE", later oilbath filter)

- SU-GP 18 Gasket set, for 2 carburetors
- 237186 (2.) Jet, complete (front)
- 237187 (2.) Jet, complete (rear)
- 237188 (3.) Rubber seal, on jet
- 237192 (4.) Needle valve and seat
- 276278+** **Service kit (2 carbs.) (excls. needles)**

- 237094 (5.) Throttle spindle
- 237109 (6.) Throttle flap
- 71849 (7.) Screw, disc to spindle 2 per spindle
- 907174 (8.) Lock pin
- 276292 Throttle spindle kit, with bushes (for 2 carbs.)
- 276278/292 Overhaul kit, 2 carbs. (excls. needles)**

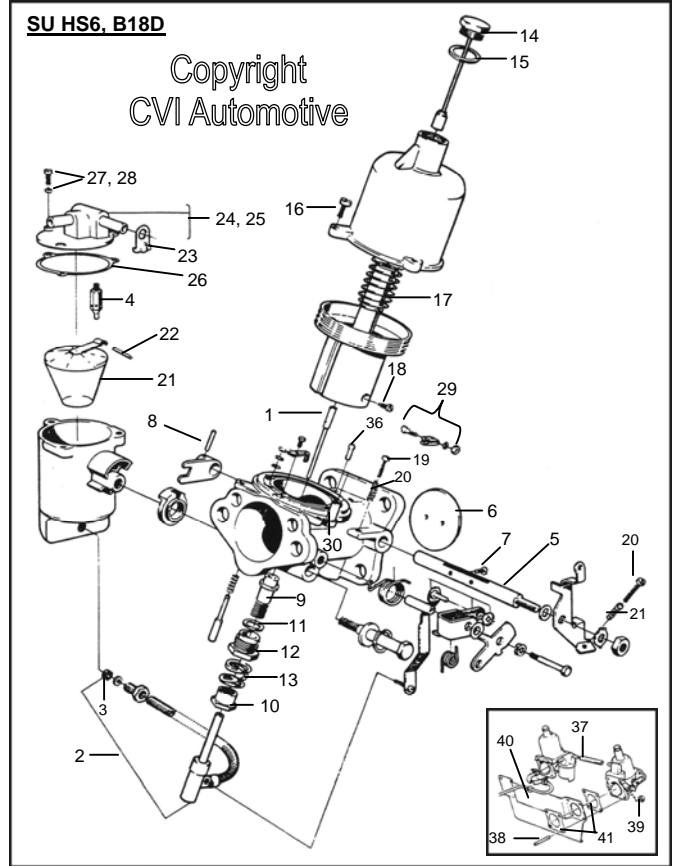
- 237080 (9.) Jet bearing
- 237082 (10.) Adjuster nut
- 237081 (11.) Washer
- 237083 (12.) Lock nut
- 71823 (13.) Spring
- CVI-1341 Jet bearing kit for 1 carb. (nos. 9-13)**

- 1129629 Dashpot oil (SU genuine: 125 ml bottle)

- 237144 (14.) Dashpot lid (damper)
- 190349 (15.) Gasket
- 237084 (16.) Screw, vacuum chamber lid
- 71816 (17.) Piston return spring
- 237105 (18.) Lock screw, for needle
- 237085/71856 Adjuster screw/spring idle/choke (19/20.)

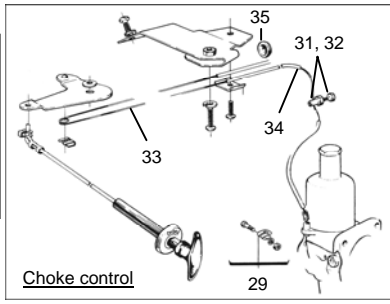
- 237457 (21.) Float (repls. 237216)
- 131016 (22.) Float pin
- 237131 (23.) Baffle
- 237214/15 (24/25.) Float chamber lid/valve/float (front/rear)
- 237106 (26.) Gasket, under lid
- 14185 (27.) Screw, float chamber lid
- 955918 (28.) Spring washer

- 237178 (29.) Clamp, outer choke spiral
- 237168 (30.) Ferrule, for choke cable
- 418561/950003 Retainer/screw, for choke cable (31/32.)
- 55192 (33.) Inner choke cable
- 88783 (34.) Outer spiral
- 654507 (35.) Rubber grommet, through bulkhead



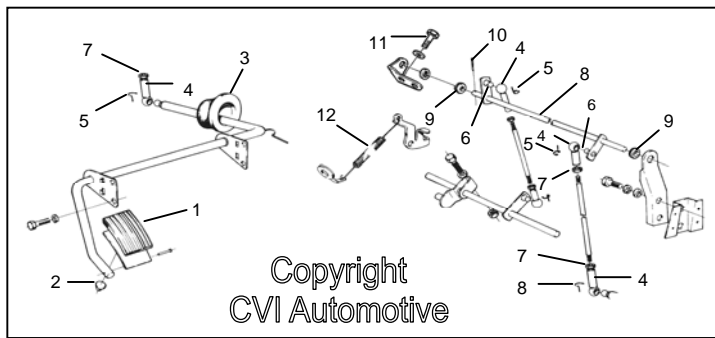
- 237104 (36.) Nipple, vacuum advance pipe (if fitted)
- 419797-80 (37.) Hose, between carbs. (80 mm) (R)
- 953236 (38.) Pin stud, on inlet manifold (8/car)
- 955826 (39.) Nut (for 953236)
- 418512 (40.) Heat shield, under carbs.
- 418754 (41.) Gasket, either side of shield (4/car)
- 419251 Shield, throttle linkage, wintertime, '66

55192D:  
Choke cable, compl. (inner & outer), B18D



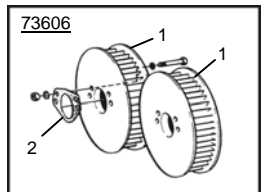
**THROTTLE LINKAGE, SU CARBURETTORS (B18D):**

- 660533 (1.) Pedal rubber
  - 81803 (2.) Rubber cushion, under accelerator pedal
  - 661967 (3.) Rubber grommet, through bulkhead
  - 959088 (4.) Ball-joint (with ball & locking brace)
  - 959093 (5.) Lock brace
  - 959094 (6.) Ball (with nut), fits 959088
  - 955780 (7.) Nut, under ball-joint
  - 662006 (8.) Mainshaft
  - 666143 (9.) Bush for mainshaft (genuine)
  - 666143-1 (9.) Bush for mainshaft (R)
  - 907824 (10.) Split pin
  - 955512 (11.) Screw for bracket
  - 418963 (12.) Throttle spring (1/carb.) (genuine)
- See 959088  
Call

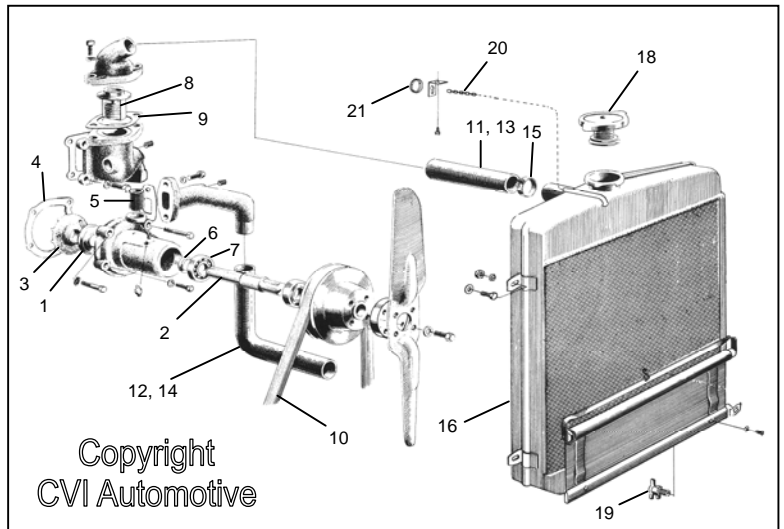


**AIR FILTERS, SU CARBURETTORS (B18D):**

- 73606 (1.) Air filter, Volvo blue with AC decal
- 73606-1 (1.) Air filter, 1961-1966 (stainless)
- FK-73606 Fitting kit, for 2 filters (excl. gaskets)
- 418447 (2.) Gasket
- 1006 Decal/sticker (AC type) for filter 73606



- 418031 Water pump (remanufactured)
- 412338 (1.) Seal (in water pump)
- 403352 (2.) Shaft
- 403853 (3.) Impeller
- 403105 (4.) Gasket for water pump
  
- 13911 (5.) Hose between pump and thermostat h'sng.
- 70913 (6.) Thrower ring
- 11136 (7.) Bearing (R)
- 54609 Repair kit for waterpump**
  
- 273163 (8.) Thermostat (Wahler, 80 degrees)
- 403161 (9.) Gasket for thermostat (genuine)
  
- 403109 (10.) Fan belt (B4B)
- 951684 (10.) Fan belt (B16)
  
- 87994 (11.) Radiator hose, upper, B4B (R)
- 88131 (12.) Radiator hose, lower, B4B
  
- 660094 (13.) Radiator hose, upper, B16
- 660095 (14.) Radiator hose, lower, late B4B, all B16
- 951792 (15.) Hose clamp
  
- 28471/252078 Radiator, B4B/B16 (16.)

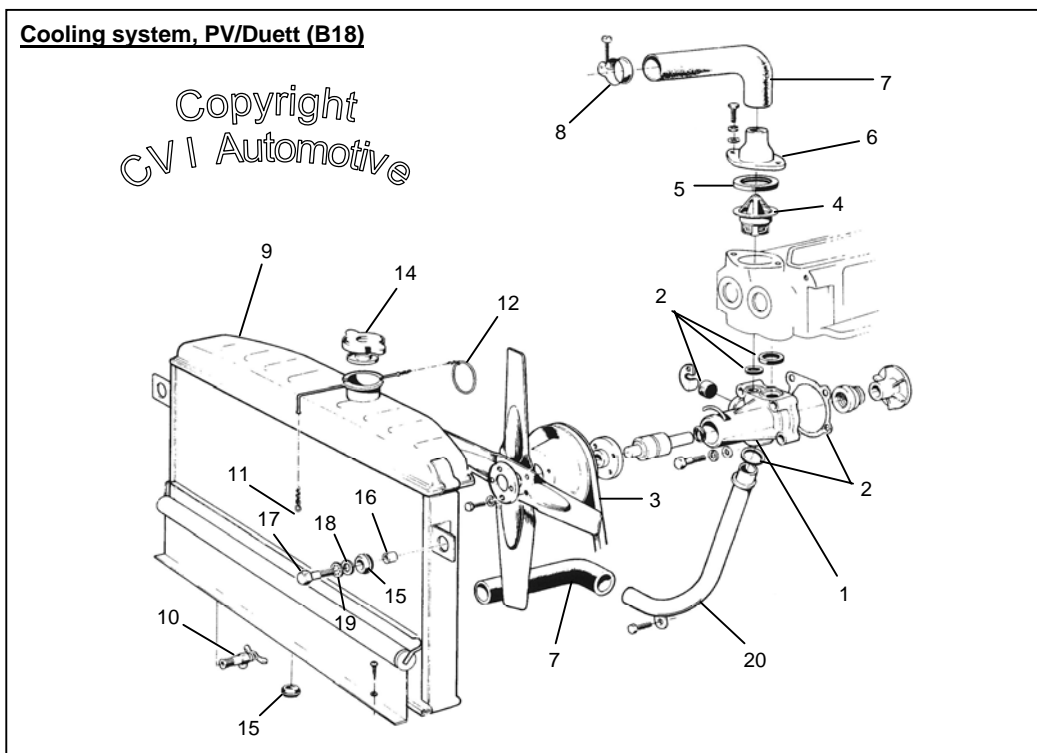


- 87842 (18.) Radiator cap (current genuine)
  - 87502 (19.) Drain cock
  - 657014 (20.) Chain for radiator blind
  - 88495 (21.) Pull ring for chain
- Call

**COOLING SYSTEM, B18**

- 271602 (1.) Water pump (genuine, w gasket, seals, bolts)
- 275540 (2.) Gasket set
- 976411 (3.) Fan belt
  
- 418496 (4.) Thermostat (77 degrees) (R)
- 273342 (4.) Thermostat kit, with seal (82 deg. Wahler)
  
- 418361 (5.) Rubber seal for thermostat
  
- 418325 (6.) Aluminium housing, for thermostat
- FK-004 Fitting kit for aluminium housing
  
- 663031 (7.) Radiator hose, upper and lower
  
- 952659 (8.) Hose clamp
- 273189 Radiator hose kit (1 hose + 2 clamps)

- 252087 (9.) Radiator
  - 1013 Radiator sticker (decal), B18
  - 87502 (10.) Drain cock
  - 313705 (11.) Chain for radiator blind
  - 88495 (12.) Pull ring for chain
  
  - 87842 (14.) Radiator cap (current genuine)
  
  - 673989 (15.) Rubber bush (3/radiator)
  - 663497 (16.) Sleeve (2/radiator)
  - 940115 (17.) Bolt (2/radiator)
  - 960148 (18.) Washer (2/radiator)
  - 955950 (19.) Lock washer (2/radiator)
  
  - 273064 Fitting kit for radiator, B18 1961 -1966**  
**(contains items above (not 16.) + 2 rad hose kits)**
  
  - 418334 (20.) Water inlet pipe
- Call



B4B/B14AAuto-Lite Distributor IAT-4006 (72944), B4B  
(Engine no. 1-94537, 94634-94899)

72986 Condenser  
72971 Rotor arm  
72970 Distributor cap  
72997 Contact breaker points

Auto-Lite Distributor IGS-4210 (72570), B4B  
(Engine no. 94538-94633, 94900-95185, 96634-96828)

72986 Condenser  
72794 Rotor arm  
72795 Distributor cap  
72791 Contact breaker points

Bosch distributor (76853), B4B (no. 95186-96633, 96829 to 1956), all B14A

77661 Condenser  
76977 Rotor arm  
233910 Contact breaker points  
233260 Distributor cap

Ring  
} see B16 parts

Spark plugs, Ignition lead sets, B4B

233982 Spark plug, 10 mm  
233979 Spark plug, 14 mm (Bosch)  
54412 Ignition lead set (R)

IGNITION SYSTEM, VOLVO PV/DUETT (B16)

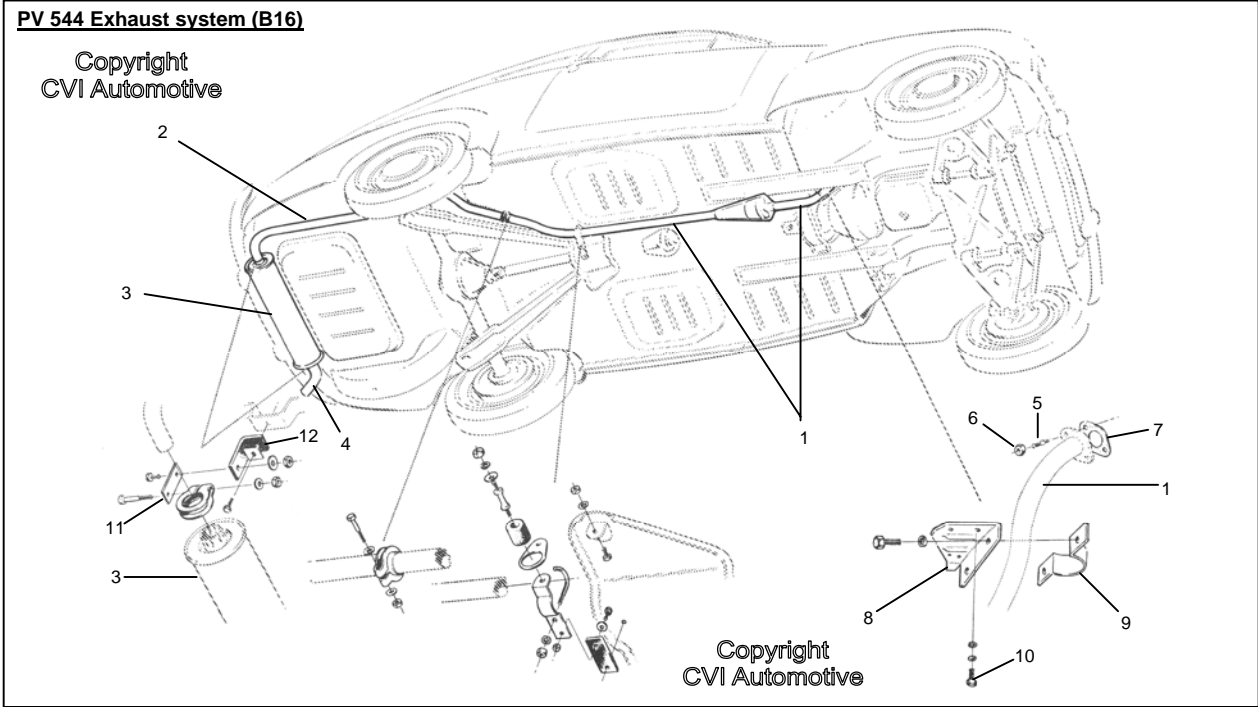
233347 (ER)	Distributor, <u>exchange</u> reconditioned	Call	233979	Spark plug, B16A	(Bosch)
233263	Lower bush for distributor, B16		233188	Spark plug, B16B	
233260	Distributor cap, B16	(now 870690)	275652	Ignition lead set, without bakelite cap	
76977	Rotor arm, B16	(now 238258)	275652	Ignition lead set, with bakelite cap	
77732	Condenser		673261	Ignition lock barrel, w. 2 keys	
233910	Contact breaker points		657292	Key blank	(Assa/Volvo)

IGNITION SYSTEM, VOLVO PV/DUETT (B18)

238731/239457	Distributor, B18A/D, to 1964	(1.)	Call	238258	Rotor arm, genuine, B18 to 1964
240214 (ER)	Distributor, B18A 1965-1969	(2.)	Call	243903	Rotor arm, genuine, 1965-'69
240208 (ER)	Distributor, B18D '65-'66	(3.)	Call	241397	Condenser, B18
<b>(NB. All distributors are overhauled and sold on an exchange system)</b>				238859	Points, B18A(-'68), B18D (-'64)
418265	Gasket, under distributor base			240149	Points, B18D, '65-'68
				271412	Spark plug set, B18A
				271411	Spark plug set, B18D
				238960	Ignition coil
233262	Bush (upper), for distributor shaft			1009	Decal, B18 Ignition coil (yellow, 1961-1966)
238850	Bush (lower), for distributor shaft			1012	Decal, B18 Ignition coil (white, '67-'68)
				673261	Ignition lock barrel, with 2 keys ("Neiman")
				673339	Key blank, B18 (for "Neiman" locks)
955229	Screw, through housing (in kit 240588)			660140	Key blank for "Assa" locks ( <u>genuine</u> )
				275660	Ignition lead set, as original
241659	Spring clip set for distributor cap			241850 (Brn)	Plug cap (angled 90 degrees), brown
976733	Rubber hose for vacuum adv. mechanism			241850 (SV)	Plug cap (angled 90 degrees), black
				241605	Plug cap (resistor), straight (239240)
233836	Drive coupling, at distributor base			418120	Rubber cover, on low tension lead
233837	Lock pin for coupling		NLA		
233838	Spring retainer for pin			681934/684048	Steering ignition lock (late accessory)
				241493	Start contact plate
870690	Distributor cap, genuine			680196	Key blank for steering column lock

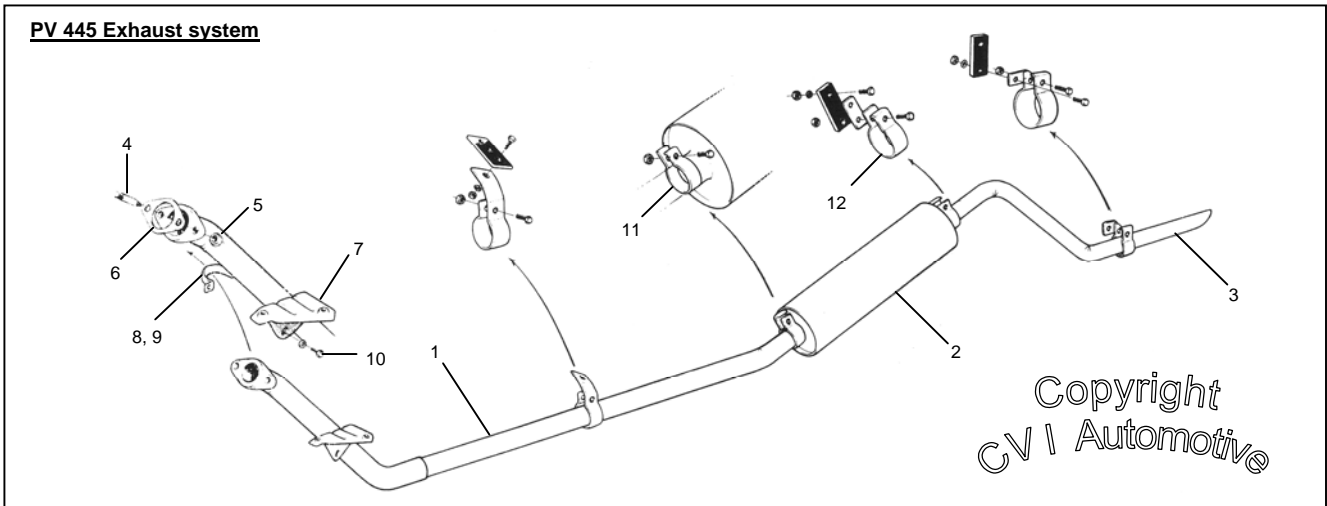
NLA

- |        |   |                                |                                      |
|--------|---|--------------------------------|--------------------------------------|
| 660514 | (1.) Downpipe + frt.silencer, genuine) '57-1961 | 953259                         | (5.) Pin stud (manifold to downpipe) |
| 89819  | } (2.) Intermediate pipe, 1947-1961             | 190852                         | (6.) Nut                             |
| 659544 |   | 403546                         | (7.) Gasket (genuine)                |
| 89826  | } Silencer, up to ch. 226237                    | 657783                         | (8.) Bracket                         |
| 659557 |   | (3.) Silencer, from ch. 226238 | 657784                               |
| 89820  | } Tailpipe, up to ch. 226237                    | 190364                         | (10.) Screw                          |
| 659555 |   | (4.) Tailpipe, from ch. 226238 | 89815                                |
|        |   | 89817                          | (12.) Rubber strip                   |
- CV1K Compl. system, 444 '47-'53 (repro.)  
 CV1K1 Compl. system, 444 '54-'56 (repro.)
- CV1K2 Compl. system, 444/544 B16 (repro.)  
 (NB. These complete systems come with fitting kit)

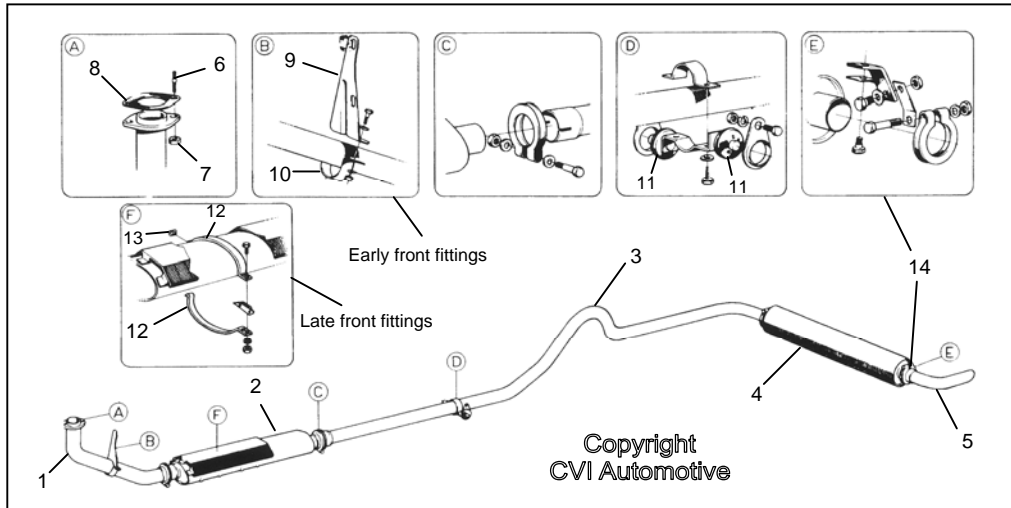


**EXHAUST SYSTEM, DUETT, B14A/B16**

- |        |   |              |        |  |
|--------|---|--------------|--------|--|
| 651918 | (1.) Downpipe, B14A                       | (to order)   | 657784 | (8.) Clamp, early type                   |
| 660517 | (1.) Downpipe, B16                        | Call         | 191583 | (9.) Clamp, late type                    |
| 89826  | (2.) Silencer                             | (now 659557) | 190364 | (10.) Screw                              |
| 654971 | (3.) Tailpipe, late B14A, all B16         |              | 81622  | (11.) Clamp, B14A/B16                    |
| 953259 | (4.) Pin stud (manifold to downpipe), B16 |              | 81622  | (12.) Clamp, B16                         |
| 190852 | (5.) Nut, B16                             |              | CV0K2  | <b>Compl. system, Duett B16 (repro.)</b> |
| 403546 | (6.) Gasket, B14A/late B16                | (genuine)    |        | (Includes fitting kit)                   |
| 657783 | (7.) Bracket                              |              |        |  |



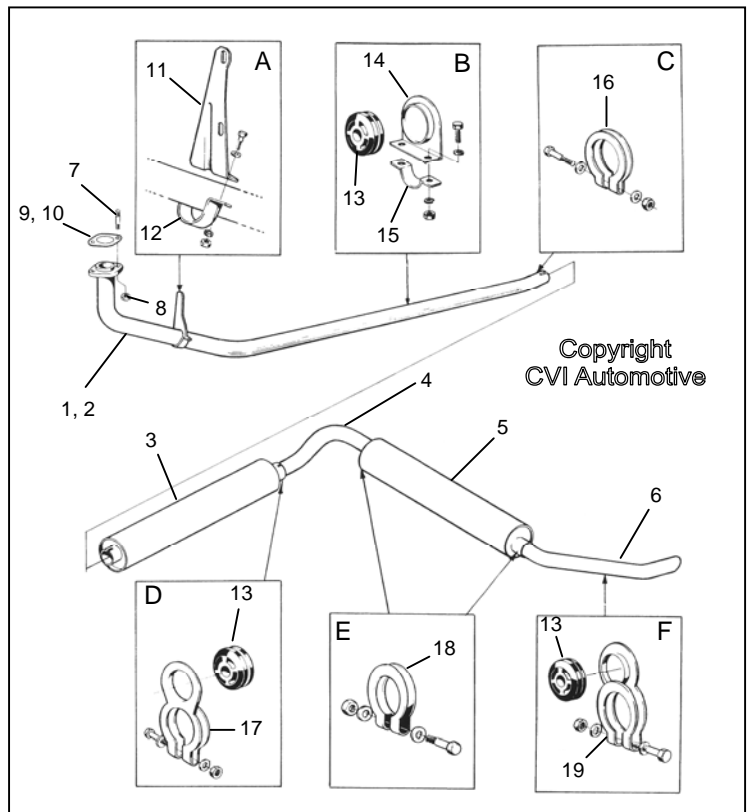
**PV 544 B18 Exhaust system**



663908	(1.) B18 PV Downpipe	192040	(10.) Clamp for bracket	
667144	(2.) Front silencer	658653	(11.) Rubber bush, up to ch 379035	
663924	(3.) Intermediate pipe	669330	(12.) Clamp, front silencer, ch 379036-	
666213	(4.) Rear silencer	669276	(13.) Tensioner	
659555	(5.) Tailpipe	276468	Fitting kit, complete (A-F)	NLA
		276494	Fitting kit (contains C & E)	Call
953259	(6.) Pin stud (manifold to downpipe)	276468-R	Fiting kit (non-genuine)	
190852	(7.) Nut	276469	(14.) Fitting kit, rear silencer (E)	
1378904	(8.) Gasket (genuine)	<b>CV1K3</b>	<b>Complete system incl. fitting kit</b>	
403546-1	(8.) Gasket (repro)		<b>(made of aluminised steel)</b>	
663794	(9.) Bracket, up to ch 379035	<b>025K5</b>	<b>Complete sports exhaust 2", 544 B18</b>	

**P210 Duett B18 Exhaust system**

666086	(1.) Downpipe, 1961-1966	
672198	(2.) Downpipe, 1967-1969	
666213	(3.) Front silencer	
666088	(4.) Intermediate pipe (over axle)	
659557	(5.) Rear silencer	
666089	(6.) Tailpipe	
953259	(7.) Pin stud (manifold to downpipe)	
190852	(8.) Nut	
1378904	(9.) Gasket, to 1966 (genuine)	
671822	(10.) Gasket, from 1967 (twin)	
663794	(11.) Bracket, front suspension	
192040	(12.) Clamp for bracket	
666208	(13.) Rubber cushion	
668519	(14.) Bracket, central suspension	
192040	(15.) Clamp	
192203	(16.) Clamp	
668518	(17.) Clamp	
191466	(18.) Clamp	
666133	(19.) Clamp, rear	
<b>276499</b>	<b>Fitting kit, for complete system (A-F)</b>	
<b>276500</b>	<b>Fitting kit, rear silencer (E-F)</b>	
276499-R	Fitting kit (non-genuine)	



**CV0K3** **Compl. system incl. fitting kit, '61-'66 (made of aluminised steel)**

**CV0K4** **Compl. system incl. fitting kit, '67-'69 (made of aluminised steel)**



Starter motor (B18)

233679 Carbon brush set, starter 238620, early B18

240604 Carbon brush set, starter 240360, B18/B20

Dynamo Fitting (B18)

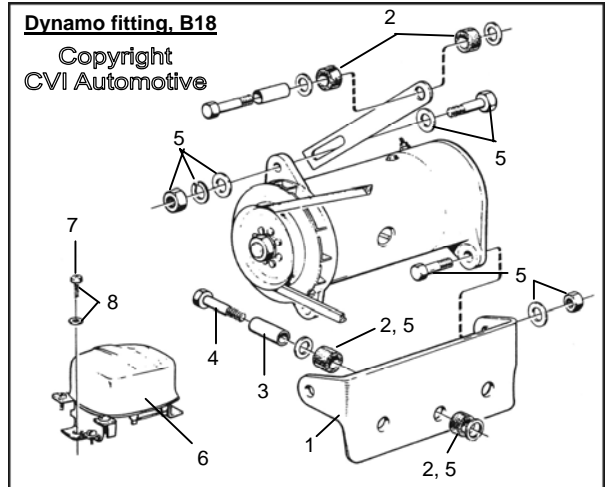
- 418354 (1.) Bracket (renew if bolt holes are oval)
- 403877 (2.) Rubber bushing
- 403894 (3.) Spacer sleeve in rubber bushing (R)
- 955525 (4.) Bolt for fitting of bracket to engine block

FK-Dynamo 1 Fitting kit, dynamo/bracket (early, up to '66)  
(upper/lower bolts, nuts, washers + 403877)  
(5.)

FK-Dynamo 2 Fitting kit, dynamo/bracket (late, from '67 on)  
(upper/lower bolts, nuts, washers + 403877)

(419417V Bracket for fitting alternator in place of  
dynamo to B18 engine

- 238640 (6.) Charging relay (Bosch genuine)
- 1008 Decal (sticker) on side of relay (yellow)
- 190666 (7.) Screw (used up to approx. January 1964)
- FK-012 (8.) Fitting kit (used from approx Jan. '64 on)



Dynamo Parts (B18A/D)

- 238479 (1.) Carbon brush set, B16 (R)
- 273500 (1.) Carbon brush set, B18 (R)
- 238801 (2.) Return spring, carbon brushes

- 11010 (3.) Front bearing (even B16)
- 238793 (4.) Bracket (aluminium) for front bearing

- 190718 (5.) Nut Call
- 955926 (6.) Lock washer
- 238579 (7.) Bushing rear (B18A)

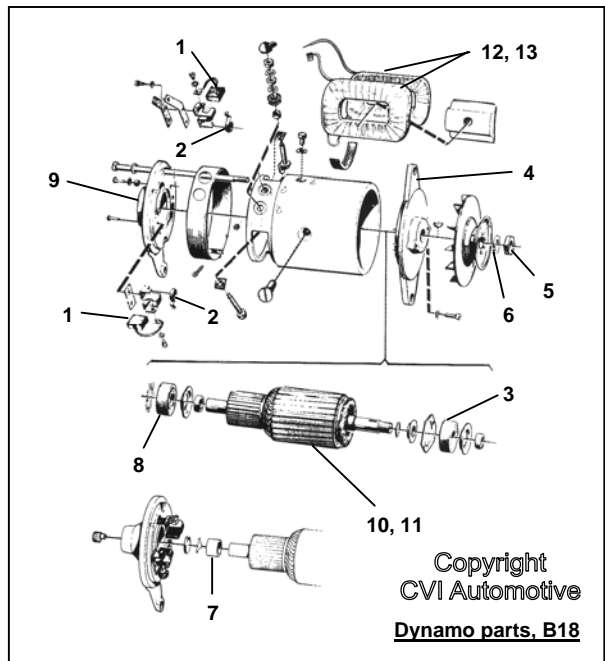
- 11009 (8.) Rear bearing (B18D, even B16B) (R)
- 238794 (9.) Housing for rear bearing (B18D)

- 239365 (10.) Rotor (armature), for B18A Call
- 238804 (11.) Rotor (armature), for B18D Call

- 240561 (12.) Field winding, coil 1 (red)
  - 240562 (13.) Field winding, coil 2 (blue)
- } Could be remade, if there is sufficient demand.

**238621** Dynamo, exchange rebuilt  
(send your old unit to us first - only type with bearing at both ends accepted!)

Stom Core charge if old unit not sent



By 1959 Volvo had already exported 50000 PV444/544 to the United States. Production was to carry on until October 1965 with the PV 544 and right up until February 1969 with the P210 Duett.

Total production of PV444/544 was 440000. It is therefore reasonable to assume that somewhere in the region of 80000 - to 100000 PVs were in total exported to the USA.

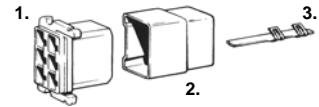
**WIRING HARNESSES, ELECTRICAL CONNECTORS**

WL B4B/B16	Wiring harness, complete, B4B/B16	Call	958214/15 (1+2.)	Connector box (black), complete	
3201	Wiring harness, complete, PV 544 (B18)				
3202	Wiring harness, complete, P210 (B18)		191676 (3.)	Bridging connector (in connector box)	
			666211 (ER)	Clip, fitting of box, galvanized	Call

662148	Cable harness to LH headlamp, B18
662149	Cable harness to RH headlamp, B18

89047	Rubber grommet, cable (lamp to cowl)
667512	Rubber grommet, for headlamp cable

NLA *Copyright CVI Automotive*



958211-S	Headlamp connector (contains box + 3 spade connectors)
----------	---

Connector 958211  NB Connector 958211 is included on harnesses

958204	(4.) Electrical connector (single thickness)
958203	(5.) Electrical connector (double thickness)
958217	(6.) Female spade connector (use with above)

667563	Cable to lh taillamp, PV B18
667564	Cable to rh taillamp, PV B18 (these include rubber casing 658275)



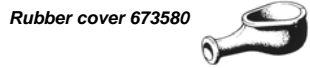
**Fuse boxes & Fuses**

192228	(1.) Fuse box, B18	(not B16)
192229	(2.) Fuse box lid	
667698	(3.) Instruction sheet	(R)
11434	(4.) Fuse, short, 25A	
11434-1	(4.) Fuse, short, 25A (glass fuse)	
11433	(5.) Fuse, long, 8A	

*Copyright CVI Automotive* **Fuse box & Lid, B18: Fuses, 6v/12v**

**Battery & Earth leads: Cigar lighter**

955825	Nut	11417	Earth strap, battery-body	(B18)
192216	Battery lead, battery-starter motor (Fits cars from 1961-1969 only)	190339	Earth strap, engine-body	(B18)
673580	Rubber cover, on battery lead (B18)	662118	Cigar lighter sleeve (sender), 12v	
		93931	Glow element, 6v	(Casco, USA)
		662108	Glow element, 12v	(Casco, USA)
		277238-1	Cigar lighter, compl., 12v	(Casco, R)



*Copyright CVI Automotive*

**Instruments & Gauges**

(ER means exchange system)

673999	Temp. Gauge (complete with union for fitting into cylinder head)
--------	--



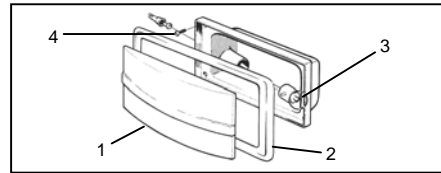
*Copyright CVI Automotive*

**Relays & Switches**

651810	Light switch (in engine bay), PV444/445	NLA
658258	Light switch, 544/210 B16	
663748	Light switch, B18	NLA - use 658258??
658191	Knob, for most switches, B16/B18	
654442	Chromed nut for knob	
89111	Flasher relay (2-pin), 6v	
660582	Flasher relay (3-pin), 6v	
667407	Flasher relay (2-pin), B18 12v (genuine)	
669102	Relay, headlamp flash, 12v	NLA
955137	Screw (2/relay)	

- 92158 (1.) Lens
- 92159 (2.) Chrome frame
- 92160 Reflector
- 11496 (3.) Bulb, 6v
- 955153 (4.) Screw

NLA  
Call

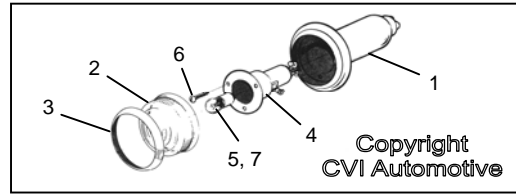


**INDICATOR LAMPS (PV444L/PV 445 1957): STOP & TAILLAMP (PV 444L 1957)**

**FRONT:**

- 651958 (1.) Rubber gaiter
- 651962 (2.) Lens, clear
- 651960 (3.) Chrome bezel
- 651963 (4.) Bulb holder
- 651801 Indicator lamp, complete, front
- 19887 (5.) Bulb, 6 v
- 106908 (6.) Screw

Call



Copyright  
CVI Automotive

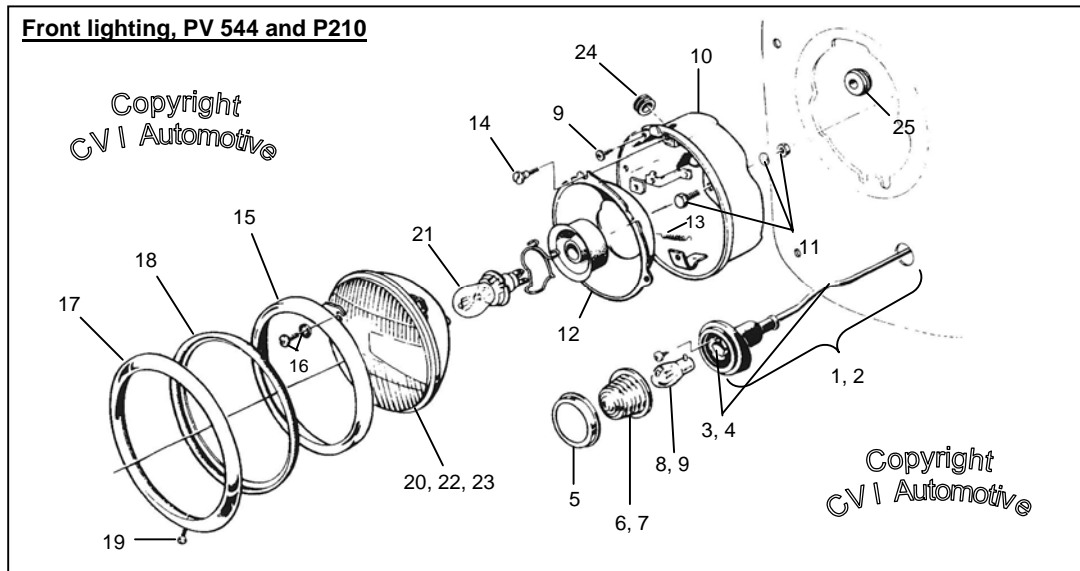
**REAR:**

- 655605 Outer housing, lh (in plastic) (R)
- 655606 Outer housing, rh (in plastic) (R)
- 651958 (1.) Rubber gaiter
- 651959 (2.) Lens, red
- 651960 (3.) Chrome bezel

- 651963 (4.) Bulb holder
- 654916 Rear lamp (complete, but excl. outer hous'g)
- 19897 (7.) Bulb
- 106908 (6.) Screw
- 13319 Seal, around outer housing

Call

**FRONT LIGHTING, VOLVO PV 544/DUETT, B16/B18**



Front lighting, PV 544 and P210

Copyright  
CVI Automotive

Copyright  
CVI Automotive

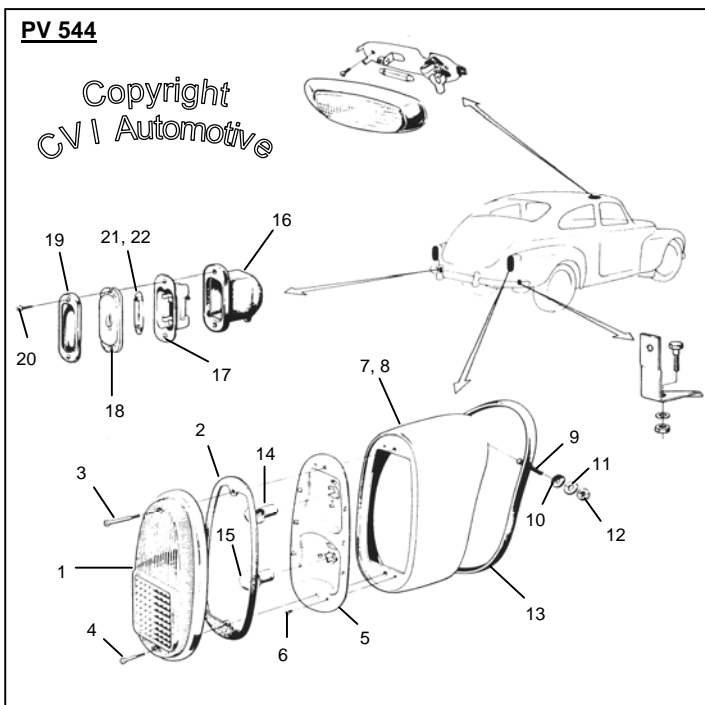
- |   |  |      |
|---|--|------|
| 661340 (1.) Indicator lamp w. rubber + cable B16 lh (R)         | 238775 (20.) Headlamp insert (B16 "Robolight" - <u>not</u> USA)  |      |
| 661341 (2.) Indicator lamp w. rubber + cable B16 rh (R)         | 238776 Bulb socket for 238775                                    | Call |
|   | 182035 (21.) Bulb for 6v headlamps (B16)                         |      |
| 666631 (1.) Indicator lamp w. rubber + cable B18 lh (R)         | 241067 (20.) Headlamp insert (Bosch assymmetric, RHT)            |      |
| 666632 (2.) Indicator lamp w. rubber + cable B18 rh (R)         | 240518 (20.) Headlamp insert (Lucas assymmetric, LHT)            |      |
| 6631-1 (3.) Bulbholder insert, <u>complete with cable</u> , lhs | 277730 (21.) Bulb for old-style assymmetric lamps (12v)          |      |
| 6632-2 (4.) Bulbholder insert, <u>complete with cable</u> , rhs | 182035 Bulb for 6v headlamps (B16)                               |      |
| 658182 (5.) Chrome bezel, indicators, B16/B18                   | R12 (60/55W) H4 bulb, fits <u>old-style</u> h/l's. 241067/240518 |      |
| 658184 (6.) Lens, clear (R)                                     | 1212963 (22.) Headlamp insert, H4 (gen. LHD) (flat glass)        |      |
| 666630 (7.) Lens, amber   | 1212962-R1 H/lamp insert, H4, lh traffic (flat glass)            |      |
| 19897 (8.) Bulb, 6v   | 963187 H4 bulb for 1212962/63                                    |      |
| 277729 (9.) Bulb, 12v   | 662148 Cable harness to LH headlamp                              |      |
| 273547 (10.) Headlamp bowl, with fitting kit to wing            | 662149 Cable harness to RH headlamp                              |      |
| FK-007 (11.) Fitting kit, headlamp bowl to wing                 | 667512 (24.) Grommet (headlamp cable in bowl)                    | NLA  |
| 88051 Seal betwn. bowl and wing (incl. in 273547)               | 89047 (25.) Grommet for cable (through front panel)              |      |
| 83590 (12.) Inner bowl  | 668675 Foot dipper switch (dipped/full beam)                     |      |
| 83591 (13.) Spring (3 per bowl)                                 | FK-668675 Fitting kit, foot dipper switch (R)                    |      |
| 87690 (14.) Adjuster screw (3 per bowl)                         | 2 screws + 2 cage nuts (in floor)                                |      |
| 671260 (15.) Inner retainer rim                                 | 1307911 Relay, full/dipped beam <u>from indic. switch</u>        |      |
| FK-006 (16.) Fitting kit, inner rim to inner bowl (2 per car)   |  |      |
| 273547P Headlamp bowl, plastic (with inner bowl)                |  |      |
| 671739 (17.) Chrome bezel                                       | Light switches - See page 18                                     |      |
| 88052 (18.) Rubber seal, in bezel                               | 669102 Relay, headlamp flash (12v)                               | NLA  |
| 115895 (19.) Screw for bezel                                    | 955137 Screw for relay (2/car)                                   |      |

**PV 544:**

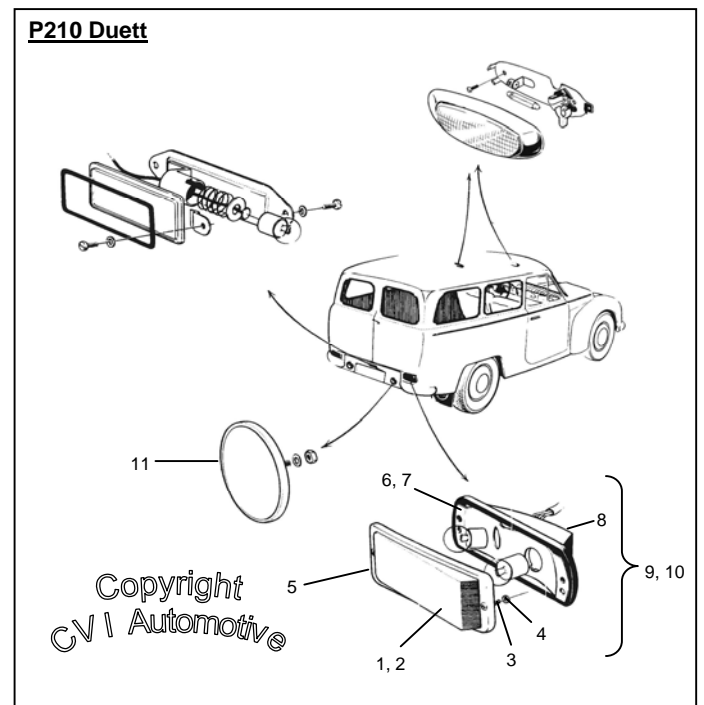
- 658399 (1.) Taillamp lens (genuine, but without chrome)
- 658271 (2.) Rubber seal, under lens
- 191175 (3.) Screw, upper
- 950223 (4.) Screw, lower
  
- 659376 (5.) Reflector (refurbished used only) Call
- 955119 (6.) Screw, reflector to housing Call
  
- 659377 (7.) Housing, lh NLA
- 659378 (8.) Housing, rh NLA
- 191399-1 (9.) Pin stud (Enough for 6 studs, with nuts)
- 658441 (10.) Rubber washer, for pin studs
- 192041 (11.) Washer
- 940145 (12.) Nut
- 13319 (544) (13.) Seal strip, between housing & body
  
- 191188 (14.) Bulb, indicator, 6v
- 19897 (15.) Bulb, stop & taillamp, 6v
- 277721 (14.) Bulb, indicator, 12v
- 277729 (15.) Bulb, stop & taillamp, 12v

**Duett:**

- 658588 (1.) Lens, all-red
- 673086 (2.) Lens, red and amber (R)
- 940151 (3.) Screw, for lens and chrome frame See 669246/7
- 658833 (4.) Rubber washer See 669246/7
- 658589 (5.) Chrome surround
  
- 662144 (6.) Reflector, lh (with cable)
- 662145 (7.) Reflector, rh (with cable)
  
- 658591 (8.) Rubber gaiter
  
- 669246 (9.) Stop and taillamp, Duett, lh (all-red lens)
- 669247 (10.) Stop and taillamp, Duett, rh (all-red lens)
  
- 669246 (RG) (9.) Stop and taillamp, Duett, lh (red/yellow lens)
- 669247 (RG) (10.) Stop and taillamp, Duett, rh (red/yellow lens)
  
- 277721 Bulb for indicator, 12v
- 277729 Bulb for stop and taillamp, 12v



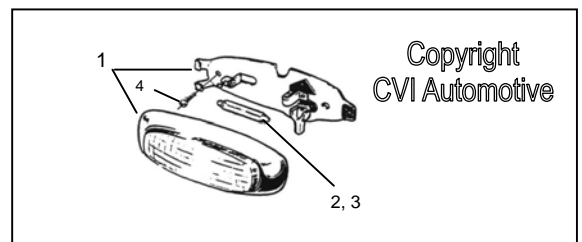
- 655947 (16.) Rubber housing
  - 660054 (17.) Bulbholder
  - 655362 (18.) Lens
  - 655363 (19.) Chrome surround
  - 190287 (20.) Screw
  - 11480 (21.) Bulb, 6v/5w
  - 277713 (22.) Bulb, 12v/5w
- } 276475 (kit)

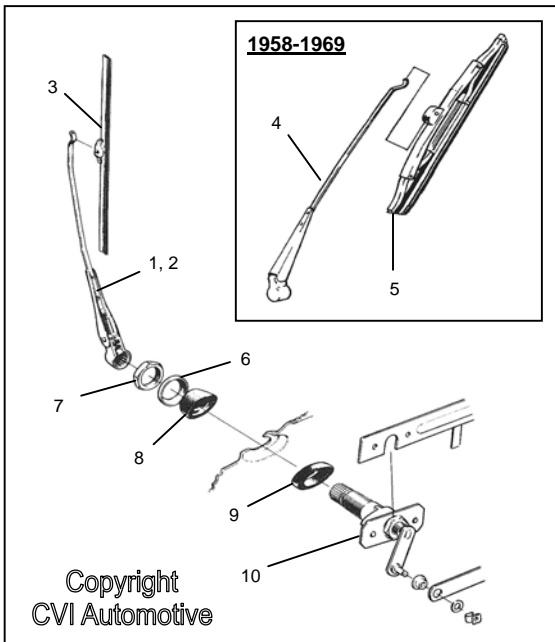


- 656086 (11.) Reflector

**INTERIOR LIGHTING: 1957, & 1958-1969**

- 662109 (1.) Interior light, complete with lens (B16/B18)
- 182057 (2.) Bulb, 6v
- 277715 (3.) Bulb, 12v
  
- 955153 (4.) Screw, for base plate (2 per car)
- 658383 Door pillar switch





**B4B/B16 1947-1957**

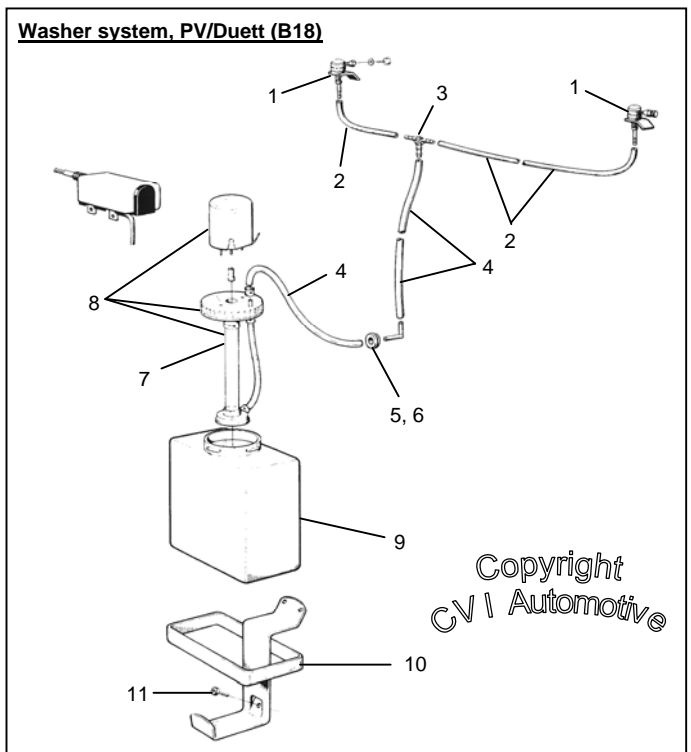
- |        |                             |                |            |
|--------|-----------------------------|----------------|------------|
| 94713  | (1.) Wiper arm, lh          | (B4B, B16 '57) | Call       |
| 94714  | (2.) Wiper arm, rh          | (B4B, B16 '57) | Call       |
| 95920  | (3.) Wiper blade, 1947-1953 | (9")           | Cut 657144 |
| 657144 | (3.) Wiper blade, 1954-1957 | (10")          |            |

**B16/B18 1958-1969**

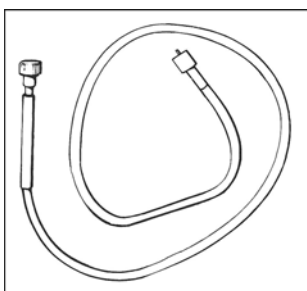
- |                    |   |                 |  |
|--------------------|---|-----------------|--|
| 682705             | (4.) Wiper arm                                  |                 |  |
| 682706             | (5.) Wiper blade                                |                 |  |
| <b>682705/06-1</b> | <b>Set with 2 arms + 2 blades</b>               |                 |  |
| 190735             | (6.) Chromed washer, under splined head         |                 |  |
| 190734             | (7.) Nut, above chrome washer                   |                 |  |
| 658174             | (8.) Sealing ring, on outside                   |                 |  |
| 658174/75-1        | (8+9.) Sealing ring set                         | (for 1 spindle) |  |
| 658155 (ER)        | (10.) Spindle, <u>exchange</u> reconditioned    |                 |  |
|                    | (Note: send your old units to us <u>first</u> ) |                 |  |

**Washer system, PV/Duett (B18)**

- |               |  |                                   |            |
|---------------|--|-----------------------------------|------------|
| 668066        | (1.) Washer jet  | (replaces 658927)                 |            |
| 192580        | (2.) Plastic hose                                      |                                   |            |
| 659248        | (3.) Three-way union                                   |                                   |            |
| 192581        | (4.) Plastic hose                                      |                                   |            |
| 40136         | (5.) Rubber grommet                                    | PV, -ch 383549<br>P210, -ch 58249 |            |
| 96443         | (6.) Rubber grommet                                    | PV, ch 383550-<br>P210, ch 58250- |            |
| 673424        | (7.) Pump drive ( <u>only</u> for motor marked "9090") |                                   |            |
| <b>688400</b> | <b>(8.) Washer pump (<u>with</u> drive)</b>            |                                   |            |
|               | (Good for all B18 cars (12v))                          |                                   |            |
| 666202        | (9.) Water bottle                                      |                                   | Use 671723 |
| 671723        | (9.) Water bottle                                      | (genuine)                         |            |
| 671723-1      | (9.) Water bottle                                      | (R)                               |            |
| 666203        | (10.) Bracket  |                                   | NLA        |
| 955137        | (11.) Screw for bracket                                |                                   |            |



**Speedometer cables**



Copyright  
CVI Automotive

- |        |   |                  |
|--------|---|------------------|
| 89243  | PV 444/445                              |                  |
| 660874 | PV B16 with H6 gearbox                  | (3-speed)        |
| 660840 | PV B16 with M4 gearbox                  | (4-speed)        |
| 669020 | PV B16 + PV/P210 B18 (M30/M40), to 1963 |                  |
| 670506 | PV/P210 B18 1964-1969                   |                  |
| 654507 | Bulkhead grommet, PV 544                |                  |
| 89047  | Bulkhead grommet, PV445/P210 Duett      |                  |
| 951188 | Clamp, for cable                        | (early B18 type) |
| 107401 | Screw, for clamp                        |                  |

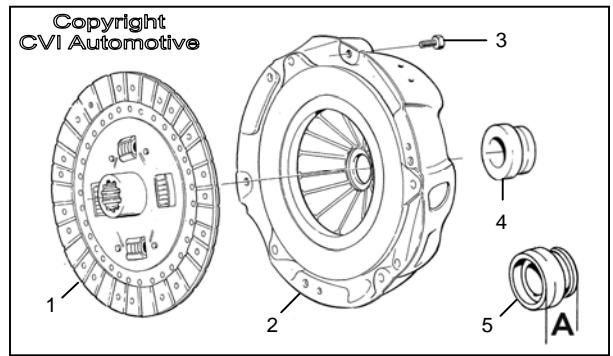
**Speedo drive gears, in gearbox**

- |        |                                       |        |   |
|--------|---------------------------------------|--------|---|
| 380164 | Drive gear, 16 teeth (PV 544 M30/M40) | 380192 | Oil seal, speedo cable inlet in gearbox |
| 380166 | Drive gear, 17 teeth (P210 M40)       | NLA    |   |

651951 Clutch kit, B16 (Use B18 clutch) Call us!  
 181428 Release bearing (19561) 438

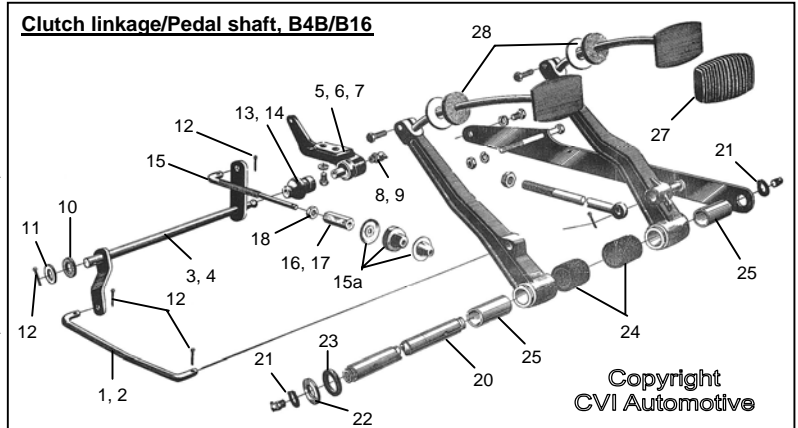
1377323 (1.) Friction plate (current F&S type)  
 1220795 (2.) Pressure plate (F & S)  
 940135 (3.) Bolt  
 380569 (4.) Release bearing for ditto (Volvo/Sachs gen.)  
 672122 (4.) Rel brng B&B clutches ('66-) (A=43mm)

**271263 Clutch kit with 1. + 2. above (use bearing 380569)**  
 11009 Support bearing, for gearbox input shaft (R)  
 1218634-S Crankshaft seal kit (modern oil seal type)  
**F&S = Fichtel & Sachs: B&B = Borg & Beck**



**CLUTCH LINKAGE, B4B/B16**

87120 (1.) Pushrod, pedal-mainshaft, 444/544  
 86852 (2.) Pushrod, PV 445  
 87116 (3.) Mainshaft, with levers, 444/544  
 651753 (4.) Mainshaft, PV 445  
 87800 (5.) Anchorage for m'shaft, 444 (B4B)  
 655993 (6.) Anchorage for m'shaft, 444/544 (B16)  
 651752 (7.) Anchorage for m'shaft, 445  
 16252/914170 (8) Grease nipple, B4B/B16 PV  
 914169 (9.) Grease nipple, all PV 445  
 19238 (10.) Felt ring, on outside of mainshaft  
 120135 (11.) Washer  
 907849 (12.) Split pin  
 86839 Bracket, outer susp. of m'shaft, 445  
 87795 (13.) Rubber seal, 444 B4B, all 445  
 655995 (14.) Rubber seal, mainshaft, PV B16  
 660045 (15.) Pushrod, mainshaft-clutch (all)  
 87123 (15A.) Rubber bush/washers, PV B16, on rod  
 (16.) Adjuster nut, 444 B4B, all 445



Use B16  
 NLA  
 Call  
 NLA  
 Call  
 See B18  
 655983 (17.) Adjuster nut, 444/544 (B16)  
 940140 (18.) Lock nut, 444 B4B/PV B16, all 445

**CLUTCH LINKAGE, B18**

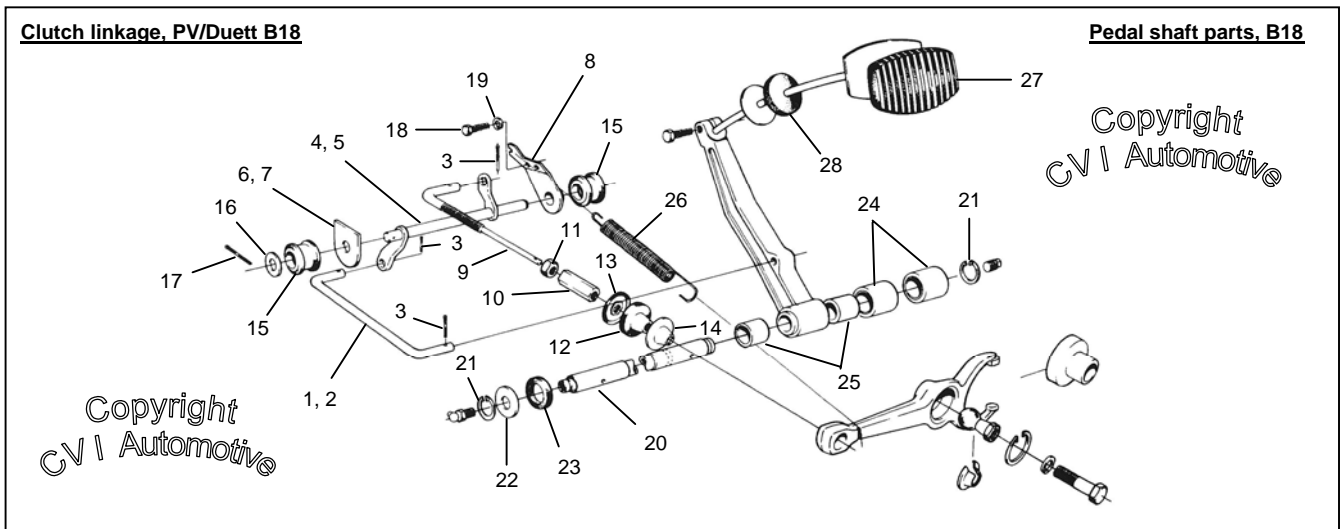
87120 (1.) Pushrod, pedal-mainshaft, PV  
 191611 (2.) Pushrod, pedal-mainshaft, Duett  
 907849 (3.) Split pin  
 662213 (4.) Mainshaft, Duett B18  
 662214 (5.) Mainshaft, PV B18  
 662226 (6.) Anchorage for mainshaft, PV B18 (outer)  
 662195 (7.) Anchorage for mainshaft, Duett B18 (R)  
 662222 (8.) Anchorage, on clutch bellhousing  
 660045 (9.) Pushrod, mainshaft-clutch Call  
 655983 (10.) Adjuster nut  
 951209 (11.) Lock nut  
 655985 (12.) Rubber cushion, adjuster pushrod  
 656823 (13.) Washer  
 655984 (14.) Cover plate, on rubber block  
 662224 (15.) Bushing, mainshaft suspension, B18  
 955899 (16.) Washer, on outside of outer bush, B18 Call  
 907857 (17.) Split pin  
 955524 (18.) Screw  
 955921 (19.) Spring washer

**PEDAL SHAFT AND ASSOCIATED PARTS**

87404 (20.) Pedal shaft, with grease nipple & plug  
 914451 (21.) Lock ring, at either end of shaft  
 87489 (22.) Washer, outside clutch pedal Call  
 87490 (23.) Rubber seal by clutch pedal (1 per car)  
 87491 (24.) Rubber seals, between pedals (2 per car)  
**87491-1 Set, with all 3 pedal shaft seals**  
 662188 (25.) Bushing, for pedal (4/car)  
 86970 (26.) Return spring, B18  
 83079 (27.) Pedal rubber (clutch and brake)  
**83079-1 Pedal rub. set (clutch, brake, throttle)**  
 87130 (28.) Sponge seal, pedal-floor (2/car)  
**83079-2 Set with: pedal rubbers (3 pcs.) + 87130 (2 pcs.) & 87491-1 (see above)**

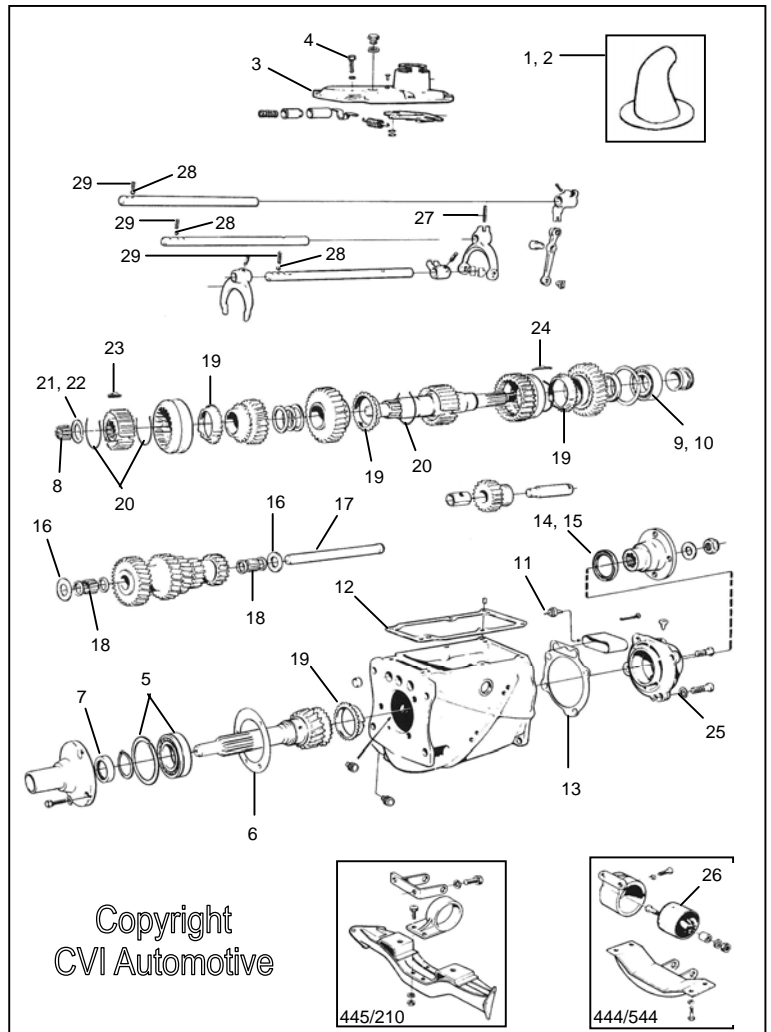
**Clutch linkage, PV/Duett B18**

**Pedal shaft parts, B18**



- 96588 Gear lever gaiter, PV 444/445
- 659493 (1.) Gear lever gaiter, PV
- 659701 (2.) Gear lever gaiter, Duett
  
- 952517 (4.) Rivet for reverse gear lock plunger (2/lid)
  
- 11145 (5.) Bearing, on input shaft
- 656505 (6.) Gasket
- 191685 (7.) Front oil seal
- 181120 (8.) Needle bearings for input shaft (14/box)
  
- 11013 (9.) Rear bearing M4/M30/M40 ('-66)
- 11024 (10.) Rear bearing (M40 ('67-'69)
  
- 380360 (11.) Reverse light contact
  
- 381107 (12.) Cork gasket, under lid
  
- 380800 (13.) Gasket (380128/380616)
  
- 19933 (14.) Rear oil seal (H6/M4/M30/M40 -1966)
- 942350 (15.) Rear oil seal (M40, from 1967-)
  
- 380192 Oil seal for speedo cable input
- 275415 Gasket set, M30/M40 (up to 1966)
- 275488 Gasket set, M30/M40 (1967-1969)
  
- 656551 (16.) Thrust washer for laygear (2/car)
- 380157 (17.) Countershaft for laygear
- 19567 (18.) Needle bearings for laygear (48/car)
  
- 656138 (19.) Synchronising cone
- 86713 (20.) Clamping ring for locating key
- 191498 (21.) Snap ring (thickness 2.1)
- 191499 (22.) Snap ring (thickness 2.2)
  
- 656514 (23.) Locating key (3 per box)
- 380141 (24.) Locating key (3 per box)
- 18651 (25.) Copper sealing washer (4 per box)
  
- 89731 (26.) Gearbox (transmission) mount (1954-1969)

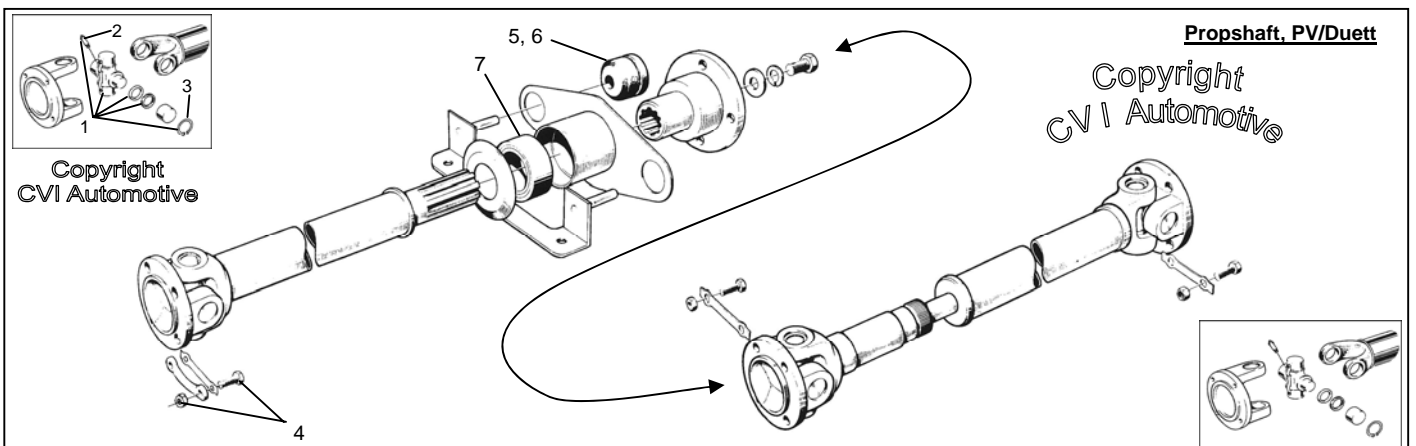
- 951965 (27.) Locking pin, middle selector fork
- 67089 (28.) Ball, for locking gear in position, on selector
- 87972 (29.) Spring, above ball



**380383-S Close-ratio gear set, M40 box (competition)**

PROPSHAFT

- 672037 (1.) Universal joint, greasable (GKN genuine)
- 192554 (2.) Grease nipple
- 118006 (3.) Circlip
  
- 1217606-1 Universal joint, non-greasable (R)
  
- 273202 (4.) Fitting kit for 1 flange
  
- 86442 (5.) Suspension bush, PV 444
- 653192 (6.) Suspension bush, PV 544/P210
  
- 181064 (7.) Support bearing, PV 444 (now 181261)
- 181261 (7.) Support bearing, PV 544/Duett (R)



Two types of axle were fitted on PVs och Duetts: ENV, and Spicer.

ENV axles are recognisable by the fact that the differential carrier is detachable forwards from the axle casing : also, viewed from behind the car one can see that there is no bolted-on inspection cover (as there is on the Spicer axle). From an historical perspective it can be said that the ENV axle is older in its construction, though both ENV and Spicer axles were fitted side by side over a long period of time up to about 1961. After that date ENV axles were only fitted on some Amazons (up to approx. 1965).

#### Pinion oil seals & Repair sleeves:

The oil seals at the front of the pinion shafts on ENV and Spicer axles are different. On the ENV it has part number 88391, which has a sealing surface made of leather: on the Spicer axle it was originally called 80507, which was also of leather, but which was later replaced by 942905, which has a more modern sealing surface of rubber. (942905 has more recently been replaced at Volvo by part number 9143317, which is essentially the same seal but which has a sealing surface made of a synthetic rubber material called viton which above all can withstand higher operating temperatures than 942905.) We have all types in stock, incl. ENV genuine & repro.

Occasionally that part of the surface of the pinion that has been in contact with the oil seal can become worn. Where this has happened we recommend fitting a repair sleeve (made of very thin stainless steel) over the pinion shaft: see the next page for prices. A detachable section for fitting of the sleeve is included.

#### Wheel bearings and drive shaft oil seals:

Below we have listed the various combinations of drive shaft, pinion oil seals, drive shaft oil seals, wheel bearings and brake drum nuts used on PVs and Duetts. As an example look at the PV 444 1957 with ENV axle: the drive shaft is called 88706, pinion oil seal is 88391, drive shaft oil seal is 114046, wheel bearing 19577 and brake drum nut is called 153031. On the next page are prices for the various parts still stocked, as well as some complete wheel bearing kits.

#### PV 444 (1947-1956)

##### ENV

87665 (drive shaft)  
88391 + 11393 (early)  
19553 + 10506

88706  
88391 + 114046 (late)  
19577 + 10506

SPICER  
89264 (drive shaft)  
80507 + 114244  
181188/181189 + 153031

89679  
80507 + 114257  
181217/181189  
153031

#### PV 444 (1957)

##### ENV

88706  
88391 + 114046  
19577 + 153031

SPICER  
89679  
80507 + 114257  
181217/181189  
153031

#### PV 544 (B16)

##### ENV

88706  
88391 + 114046  
19577 + 153031

SPICER  
89679  
80507 + 114257  
181217/181189  
153031

#### PV 544 (B18)

##### SPICER

89679  
80507 (942905) + 192550  
181217/181189  
153031

(Note that oil seal 114257 is now superceded by 192550)

#### PV 445

##### ENV

86816  
88706  
659453 } Drive shafts  
88391 + 114046  
19577 + 10506

SPICER  
89749  
80507 + 114275  
19577 + 153031

#### P210

SPICER (to ch. 80224)  
89749  
80507 (942905) + 114275  
19577 + 153031

SPICER (from ch. 80225)  
89679  
80507 (942905) + 192550  
181217/181189  
153031



Wheel bearings, oil seals, brake drums

Type 1 (Later ENV axles (incl. all PV 445 with ENV))

- |                |   |     |
|----------------|---|-----|
| Various        | (1.) Drive shaft                                | NLA |
| 19577          | (2.) Rear wheel bearing                         |     |
| 114046         | (3.) Oil seal                                   |     |
| 673788         | (4.) Gasket (2/wheel)                           |     |
| 673791         | (5.) Oil seal, outer (includes felt ring 19246) |     |
| 19246          | (6.) Felt ring                                  |     |
| <b>CVI-609</b> | <b>Wheel bearing kit, for later ENV</b>         |     |

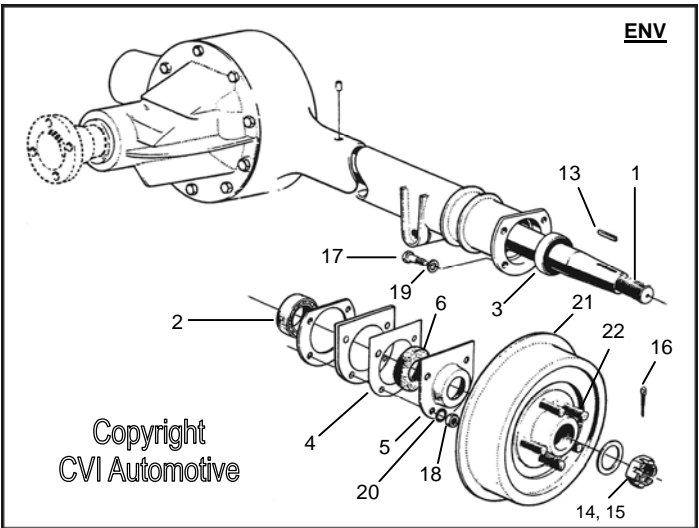
Type 2 (Spicer axles on later PV 445, early P210)

- |                |   |     |
|----------------|---|-----|
| Various        | (1.) Drive shaft                              | NLA |
| 19577          | (2.) Rear wheel bearing                       |     |
| 114275         | (3.) Oil seal                                 |     |
| 673788         | (4.) Gasket (2/wheel)                         |     |
| 673791         | (5.) Oil seal, outer (replaces seal 89251)    |     |
| 19246          | (6.) Felt ring (Note: included in seal above) |     |
| <b>CVI-621</b> | <b>Wheel bearing kit, for certain Spicer</b>  |     |

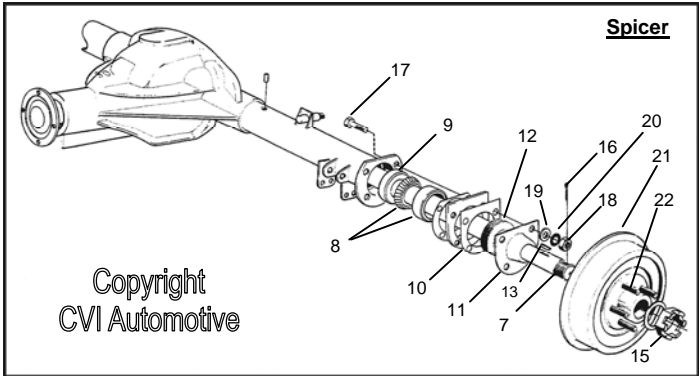
Type 3 (Duett from ch 80225-, late 444, all 544 with Spicer)

- |                |  |     |
|----------------|--|-----|
| 89679 (HD)     | (7.) Drive shaft                                 | NLA |
| 181217/181189  | (£) Rear wheel bearing                           |     |
| 192550         | (9.) Oil seal                                    |     |
| 673788         | (10.) Gasket (2/wheel)                           |     |
| 673791         | (11.) Oil seal, outer (includes felt ring 19246) |     |
| 19246          | (12.) Felt ring                                  |     |
| <b>CVI-605</b> | <b>(8-12.) Wheel bearing kit, type 3</b>         |     |

- |        |  |
|--------|--|
| 160553 | (13.) Key                                  |
| 10506  | (14.) Castellated nut                      |
| 153031 | (15.) Castellated nut                      |
| 191174 | (16.) Split pin                            |
| 955676 | (17.) Bolt                                 |
| 955848 | (18.) Nut                                  |
| 940097 | (19.) Washer                               |
| 955950 | (20.) Lock washer                          |
| FK-009 | Fitting kit for 1 brake backplate (17-20.) |



- |          |  |
|----------|--|
| 673797   | (21.) Brake drum, genuine (with hub and bolts) |
| 654490   | (22.) Wheel bolt                               |
| 87699    | Wheel nut                                      |
| 9991791R | Hubpuller, to remove rear brake drum           |



Pinion & Differential Carrier Bearings, M27/M30 (Spicer): Pinion oil seals (all)

- |              |  |
|--------------|--|
| <b>Part#</b> |  |
| 181301-02    | Inner cone/outer cup, pinion (frt) (1/car) (23/24.)                          |
| 181303-04    | Inr. cone/outer cup, pinion (rear) (1/car) (25/26.)                          |
| 181305-06    | Inner cone/outer cup, diff (M27) (2/car) (27/28.)                            |
| 181305-662   | Inner cone/out cup, diff (M30) (27/28.) (later Duett axles, from ch. 80225-) |
| 942905       | (29.) Pinion oil seal, Spicer (original genuine - NBR)                       |
| 9143317      | (30.) Pinion oil seal, Spicer (current genuine - Viton)                      |

RH - SPICER Repair sleeve, for sealing surface on pinion

- |       |   |
|-------|---|
| 81388 | (30a.) Dust slinger, Spicer axles             |
| 80506 | (31.) Oil deflector, behind oil seal (Spicer) |

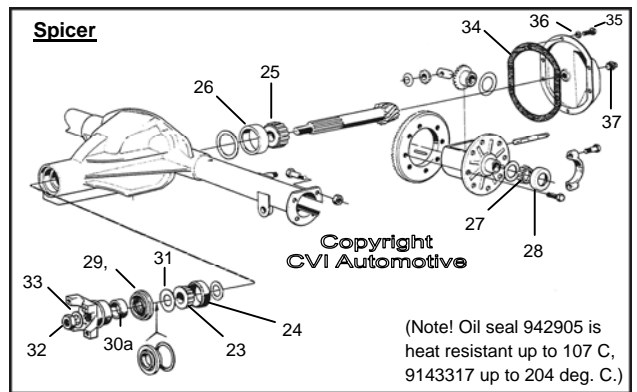
- |        |  |
|--------|--|
| 88726  | (32.) Nut for companion flange, Spicer         |
| 80513  | (33.) Washer                                   |
| 89254  | (34.) Gasket for rear cover, Spicer            |
| 955523 | (35.) Bolt for rear cover, Spicer (10 per car) |
| 955921 | (36.) Spring washer                            |

952359 (37.) Oil filler plug, Spicer & ENV

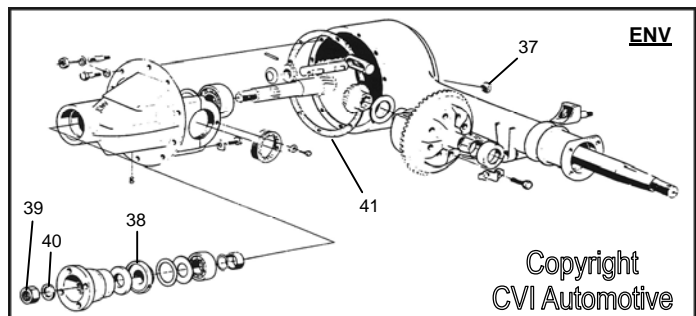
88391 (38.) Pinion oil seal, ENV (R)

- |          |  |
|----------|--|
| RH - ENV | Repair sleeve, for sealing surface on pinion |
| 950388   | (39.) Nut for companion flange, ENV          |
| 955900   | (40.) Washer                                 |

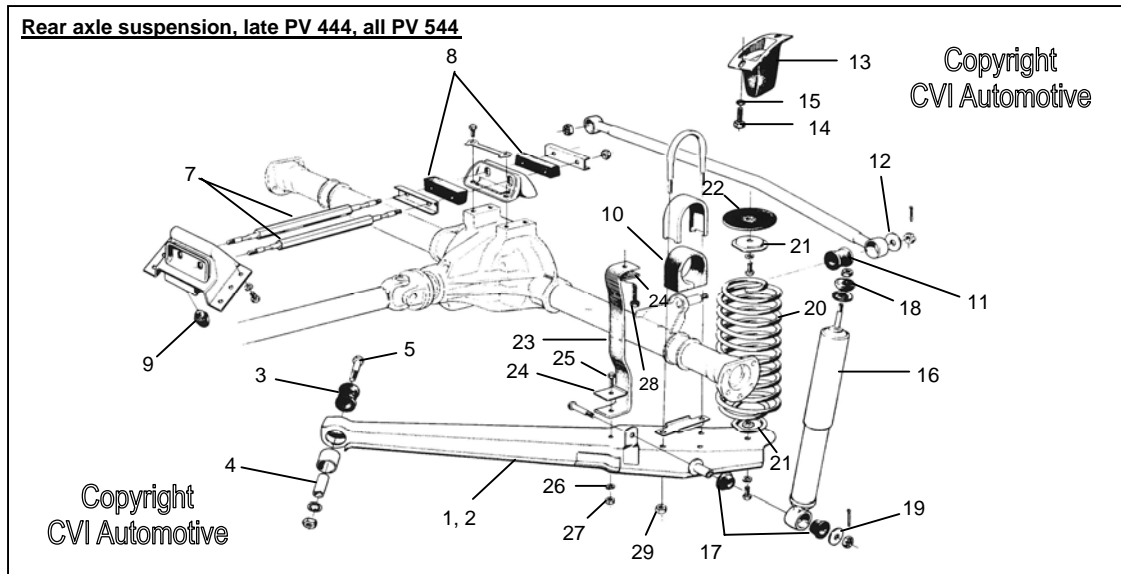
87670 (41.) Gasket between front & rear casing, ENV



(Note! Oil seal 942905 is heat resistant up to 107 C, 9143317 up to 204 deg. C.)

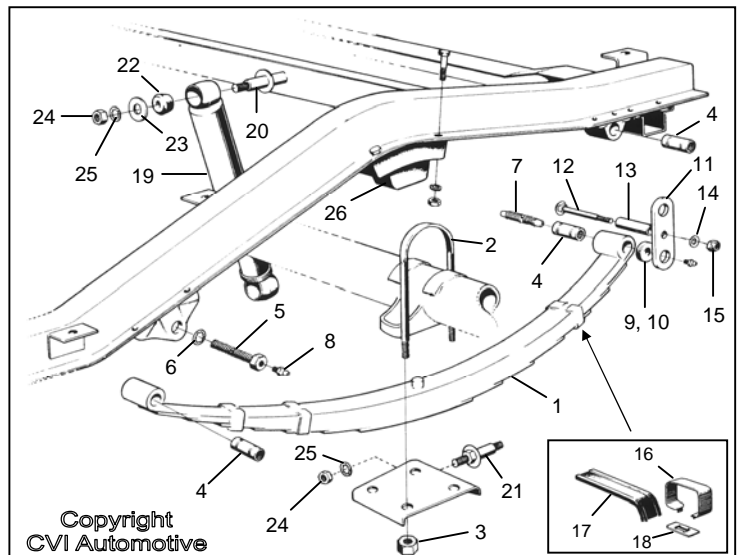


658792	(1.) Suspension arm, lh		276442	(16.) Shock absorber + fittings, genuine (2/car)
658793	(2.) Suspension arm, rh		BIL PVR	Bilstein gas shock absorber, rear (2/car)
87062	(3.) Rubber bush			
87061	(4.) Spacer sleeve	NLA	89567	(17.) Fitting bush, lower
959693	(5.) Bolt	Call	670129	(18.) Rubber cushion, upper fitting
			11982	(19.) Washer
655551	(7.) Torque rod, for center suspension	Call		
661159	(8.) Rubber block	(4/car)	87936	(20.) Rear spring (NB. Genuine)
83107	(9.) Rubber cushion			
654956	(10.) Rubber block, around axle, ENV axles		87092/3 (R)	(21.) Spring fastener washer, upper/lower
655557	(10.) Rubber block, around axle, Spicer		87054	(22.) Rubber spacer, above spring
	(Note: ENV axles fitted to some PVs 1947-1961)			
87033	(11.) Bush for panhard rod	(2/car)	660108	(23.) Check strap (ref 89816)
18702	(12.) Washer	(2/car)	89818	(24.) Washer for check strap fitting
87055	(13.) Bump stop, on chassis	(2/car)	940115	(25.) Bolt, lower fixing point
955524	(14.) Bolt		940108	(26.) Spring washer
955921	(15.) Spring washer		955827	(27.) Nut
			955535	(28.) Bolt, upper fixing point
			955804	(29.) Nut
87046	Rubber seat (4/car), PV 444 to ch 130942			

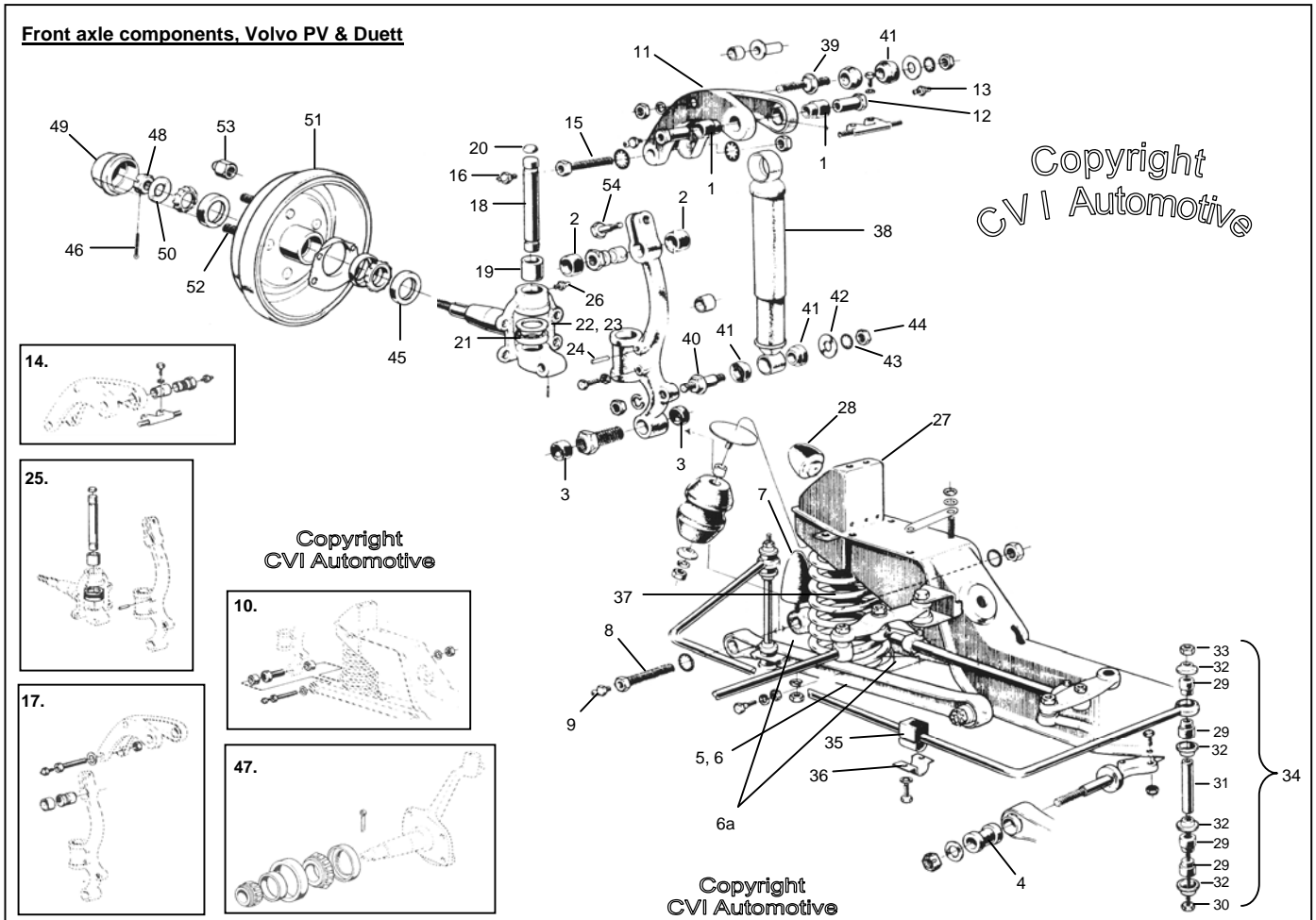


REAR AXLE SUSPENSION, P210 DUETT

257024	(1.) Leaf spring (15% stronger than original)		89577	(21.) Shock absorber bolt, lower
953883	(2.) U-bolt, for leaf spring		89567	(22.) Rubber bush, for shock mounting
955813	(3.) Nut		11982	(23.) Washer
80750	(4.) Bush, for spring & chassis (3/side)		955818	(24.) Nut
80749	(5.) Bolt, for front bush		940143	(25.) Lock washer
955954	(6.) Lock washer		86857	(26.) Bump stop, on chassis
83153	(7.) Spring hanger bolt (4 per car)			
951739	(8.) Grease nipple			
83247	(9.) Cork seal			
83247G	(10.) Rubber seal (not cork) (4 per side)			
83197	(11.) Hanger (2 per side)			
191504	(12.) Bolt for middle of hanger			
659765	(13.) Spacer sleeve			
955895	(14.) Washer			
950364	(15.) Nut			
54396	<b>Fitting kit, for 2 leaf springs</b>			
89566	Rubber cushion, between leaves (16/car)			
89563	(16.) Metal band, around springs			
89565	(17.) Rubber spacer, around springs			
89561	(18.) Buckle			
276441	(19.) Shock absorber + fittings (2/car)			
89578	(20.) Shock absorber bolt, upper	Call		



<b>Part #</b>		<b>Part #</b>	
87028	(1.) Seal, upper inner fulcrum bolt (4 per car)	88393 B	(27.) Front Xmember, 444/early 544, good <u>used</u> (Can be used for 445 if a couple of extra holes are drilled)
88147	(2.) Seal, upper outer fulcrum bolt (4 per car)		
87022	(3.) Seal, lower outer fulcrum bolt (4 per car)	670518 B	(27.) Front crossmember, B18, good <u>used</u> Call
87033	(4.) Rubber bush, lower inner		
<b>87028-1</b>	<b>Complete set of wishbone bushes above for one car</b>	83107	(28.) Rubber cushion ( <u>not</u> for safari axle)
87475	(5.) Wishbone, lower (with spring seat), lhs NLA	83125*	(29.) Stabilizer bush (8 per car)
87474	(5.) Wishbone, lower (with spring seat), rhs NLA	87387 (R)*	(30.) Bolt for stabilizer
87032	(6a.) Spring seat (pressed from original tooling) (this offers a cheap way to overhaul existing wishbones)	87386*	(31.) Spacer tube
		83126*	(32.) Washer
		955800*	(33.) Nut
		<b>*273238-1</b>	<b>(34.) Stabilizer bolt kit, for 1 side</b>
87033	(4.) Wishbone bush, lower inner (4/car)	663131	(35.) Stabilizer bush
83108	(7.) Bump stop, on lower wishbone (genuine)	663130	(36.) Clamp
87020	(8.) Fulcrum bolt		
951739	(9.) Grease nipple (4 per car)	87935	(37.) Spring, genuine (2 per car)
87022	(3.) Rubber seal, in bolt kit	276440	(38.) Shock absorber, genuine (2 per car) Bilstein shock absorber
<b>54922</b>	<b>(10.) Fulcrum bolt kit, lower</b>	BIL PVF	
87025	(11.) Wishbone, upper, lhs/rhs	89568	(39.) Shock absorber bolt, upper (2 per car)
87027	(12.) Bush (steel), in kit above	89569	(40.) Shock absorber bolt, lower (2 per car)
914169	(13.) Grease nipple (4 per car)	89567	(41.) Rubber bush, uppr. & lower (4/shock)
87028	(1.) Rubber bush (4 per car)	960145	(42.) Washer (upper and lower)
<b>276547</b>	<b>(14.) Fulcrum bolt kit, upper inner</b>	940143	(43.) Lock washer (upper and lower)
		955818	(44.) Nut (upper and lower)
87020	(15.) Fulcrum bolt	<b>CVI-004</b>	<b>Bushing kit that includes the following: nos. 1, 2, 3, 4, 7, 28, 34, 35, 41 (for 1 car)</b>
88147	(2.) Rubber seal		
951739	(16.) Grease nipple (4 per car)	88640	(45.) Inner grease seal
<b>54920</b>	<b>(17.) Fulcrum bolt kit (1947-1950)</b>	907849	(46.) Split pin
<b>54925</b>	<b>(17.) Fulcrum bolt kit (1950-1969)</b>	273160	(47.) Wheel bearing kit (1 ft. wheel), incl. 88640 Tube of grease (80 g - genuine)
		1161241	(48.) Nut
88649	(18.) King pin	153042	(49.) Grease cap
18262	(19.) Bushing (2 per side)	87465	(50.) Thrust washer
83414	(20.) Plug	87464	
19597	(21.) Bearing		
87209	(22.) Shim, 0.10	667102	(51.) Brake drum, front, genuine ( <u>with</u> hub and bolts)
87210	(23.) Shim, 0.35	654490	(52.) Wheel bolt
80856	(24.) Cotter pin	87699	(53.) Wheel nut
<b>54017</b>	<b>(25.) King pin kit, ch 20005- (for both sides)</b>		
914167	(26.) Grease nipple (4 per car)	959644	(54.) Bolt
<b>914167-1</b>	<b>Set of grease nipples, for 1 front axle</b>		



- 250080 (ER) Steering-box, PV 544 (B16) NLA
  - 250084 (ER) Steering-box, PV 544 (B18) NLA
  - 250096 (ER) Steering-box, Duett (B18) NLA
- (NB. Steering-boxes are overhauled, and sold on exchange)

- 89937 (1.) Sealing collar, on steering column NLA
- 82489 (2.) Rubber bush NLA
- 80544 (3.) Nut for steering wheel NLA
- 671430 (4.) Lock washer for nut
- 666813 (5.) Housing (PV 544)
- 959798 (6.) Bolt
- 192495 (7.) Washer
- 955950 (8.) Lock washer
- 950354 (9.) Nut
- 114271\* (10.) Oil seal
- 659214 (11.) Lid (1959-1969)
- 180764 (12.) Oil filler plug (1959-1969)
- 656704\* (13.) Gasket under lid

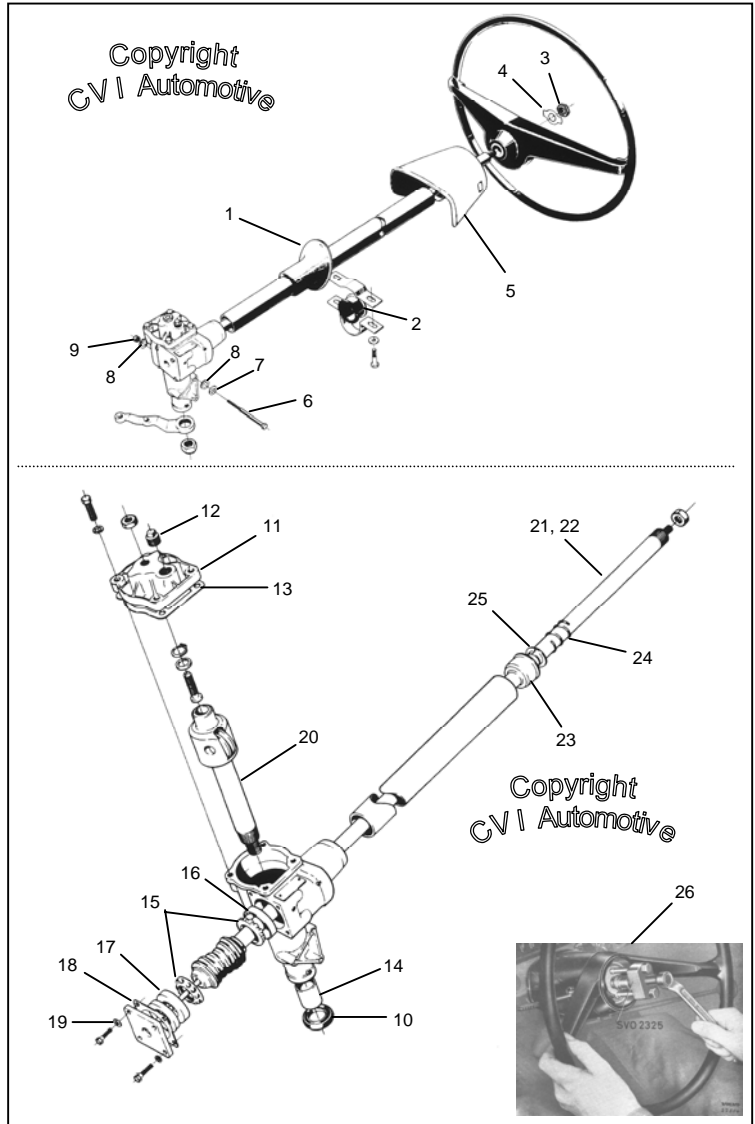
- 85627 (14.) Bush for Pitman arm shaft (2/car)
- 85618 (15.) Bearing
- 85616 (16.) Bearing cup, upper
- 85617 (17.) Bearing cup, lower

- 656707\* (18.) Adjuster shim, 0.10 thickness Kit
- 656708\* (18.) Adjuster shim, 0.12 thickness Kit
- 656709 (18.) Adjuster shim, 0.15 thickness Kit
- 656710 (18.) Adjuster shim, 0.30 thickness Kit
- 190296\* (19.) Lock washer, with bendable tab (genuine) Kit
- \*54929 **Steering-box re-bushing kit (complete)**
- 54929-2 **Steering-box kit (less shims/tab washers)**

- 659217 (20.) Pitman arm shaft NLA
- 667609 (21.) Steering worm, PV 544 NLA
- 668928 (22.) Steering worm, Duett NLA

- 85611 (23.) Bearing
- 85612 (24.) Spring
- 85613 (25.) Seat

- 9992325 (26.) Steering-wheel puller PV 544/P210 (R)



STEERING TRACK RODS AND TIE-ROD ENDS

- 89221 (1.) Track rod, lhs (B4B/B16)
  - 89222 (2.) Track rod, rhs (B4B/B16)
  - 659849 (3.) Tie-rod end, lhs (B16)
  - 659850 (4.) Tie-rod end, rhs (B16)
- Use 658431  
Use 658432

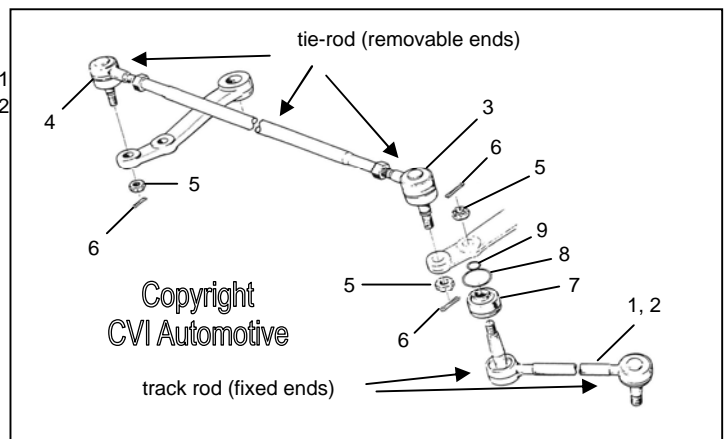
- 661706 (1.) Track rod, lhs (B18)
- 661707 (2.) Track rod, rhs (B18)

- 658431 (3.) Tie-rod end, lhs (B18)
- 658432 (4.) Tie-rod end, rhs (B18)

- 190573 (5.) Castellated nut (included on track/tie rods)

- 907824 (6.) Split pin

- 670877 Rubber dust cover (B18) (7, 8, 9)

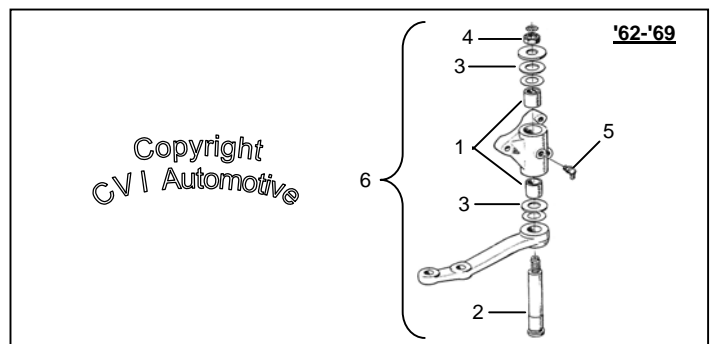


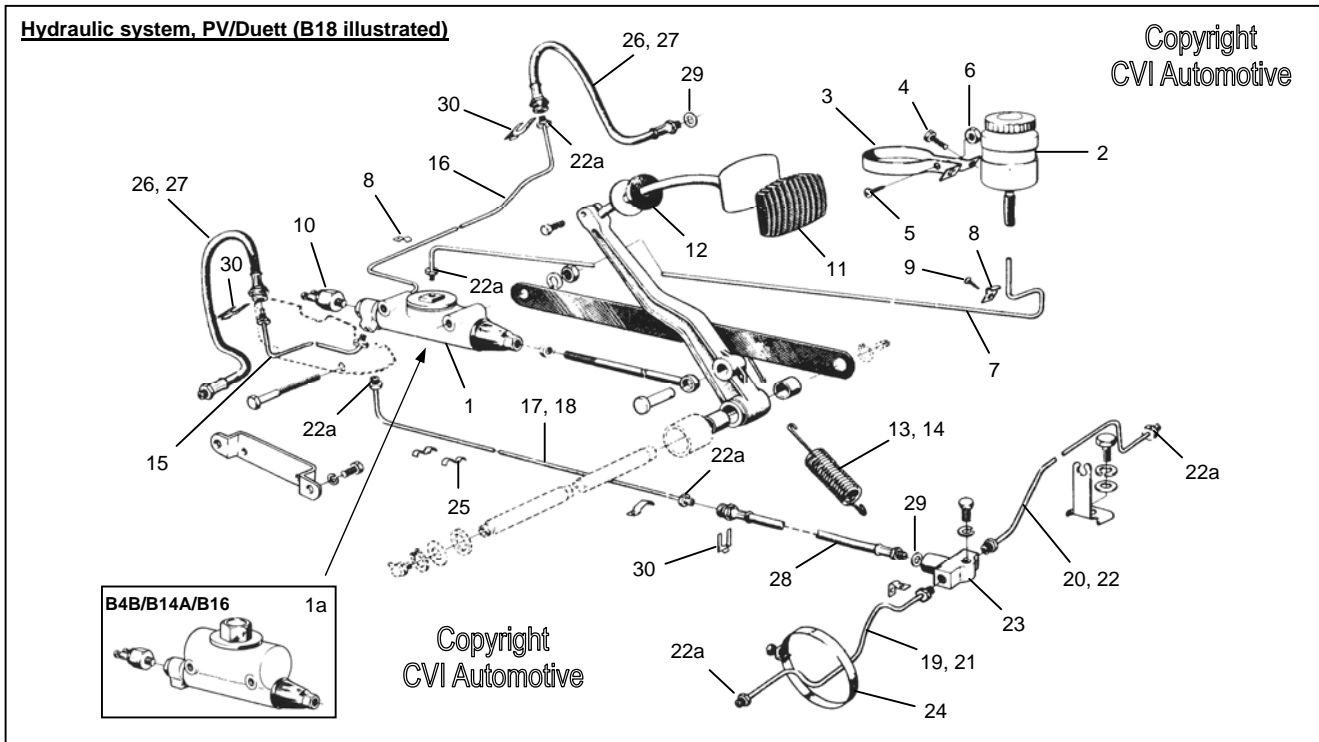
IDLER ARM

- B4B/B16**
- 54927 Repair kit, idler arm (B4B/B16)
  - 18133 Bush for idler arm (B4B/B16)
  - 87158 Rubber O-ring (2 per idler arm)

- B18**
- 663709 (1.) Bush for idler arm ('62-'66) (2 per car)

- 666402 (2.) Shaft
- 669255 (3.) Vulcollan washer
- 950356 (4.) Nut
- 914170 (5.) Grease nipple
- 276521 (6.) Repair kit for idler arm (1962-1969)





- 87694 (1a.) Brake master cylinder, B4B/B16
- 663468 (1.) Brake master cylinder, B18 (genuine)
- 663418 (2.) Brake fluid reservoir, B18 (complete)
- 663417 (3.) Clamp
- 190665 (4.) Screw, reservoir to bulkhead (2/car)
- 950038 (5.) Screw
- 940145 (6.) Nut
- 663467 (7.) Brake pipe, reservoir to cylinder (PV)
- 667907 (7.) Brake pipe, reservoir to cylinder (P210)
- 18335 (8.) Clamp
- 190665 (9.) Screw
- 672425 (10.) Brake light switch (R)
- 83079 (11.) Pedal rubber
- 83079-1 Pedal rubber set (clutch, brake, throttle)**
- 87130 (12.) Seal
- 87131 (13.) Return spring (PV 544) Call
- 86971 (14.) Return spring (Duett) Call

**BRAKE PIPES:**

- 86828 (15.) PV/Duett, lhs front
- 86829 (16.) PV/Duett, rhs front
- 86830 (17.) PV, front to rear
- 667906 (18.) Duett, front to rear
- 659928 (19.) PV, lh rear
- 659929 (20.) PV, rh rear
- 668921 (21.) Duett, lh rear
- 668922 (22.) Duett, rh rear
- 87698 (22a.) Brake pipe union nut
- 87696 (23.) Three-way union
- 18355 (24.) Clamp (large), brake pipe round axle
- 121572 (25.) Double clamp, brake pipe/fuel pipe

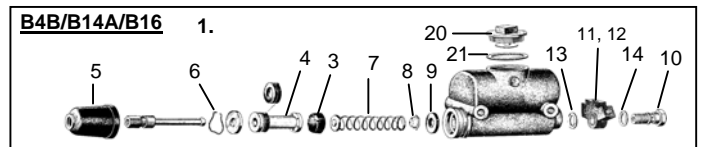
**COPPER NICKEL**

**BRAKE HOSES (as original)**

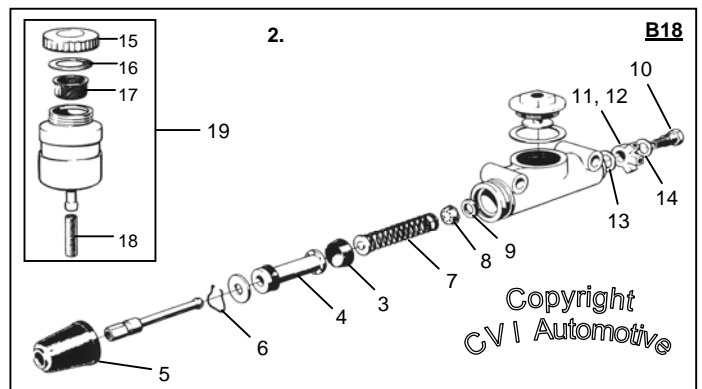
- 87695 (26.) Brake hose, front, all 444, 544 B16
- 667379 (27.) Brake hose, front, all 544/210 B18
- 87695 (28.) Brake hose, rear
- 18651 (29.) Copper washer, all brake hoses
- 80939 (30.) Locking fork for hoses (R)

**Brake master cylinders: Brake fluid reservoir**

- 87694 (1.) Brake master cylinder, B4B/B14A/B16
- 663468 (2.) Brake master cylinder, B18
- 86604 (3.) Seal
- 86601 (4.) Piston (with seal)
- 86956 (5.) Rubber dust cover (genuine)
- 276492 Repair kit, genuine (1947-'69) (nos. 3-9)**
- 64947011 Red brake grease for cylinder overhaul
- 81416 (10.) Swivel bolt
- 87697 (B) (11.) Three-way union (2nd-hand)
- 87697-1 (12.) One-way union (brake servo installation)
- 18817 (13.) Copper gasket
- 81415 (14.) Copper gasket
- 667360\* (15.) Filler cap, with seal 667361
- 667361\* (16.) Seal, under filler cap
- 667359\* (17.) Strainer
- 667362\* (18.) Connector hose, res. to pipe
- 663418 (19.) Brake fluid reservoir (complete\*), B18**



- 86420 (20.) Filler cap for cylinder 87694
- 86421 (21.) Gasket Call



See 667360

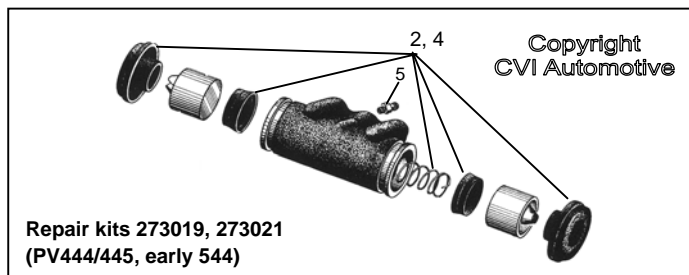
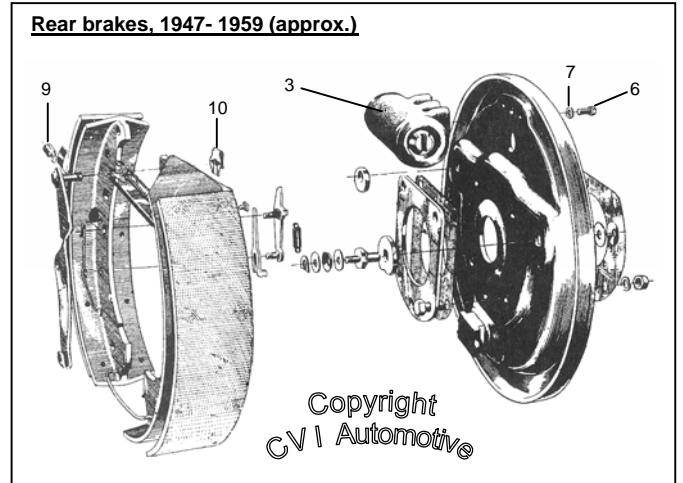
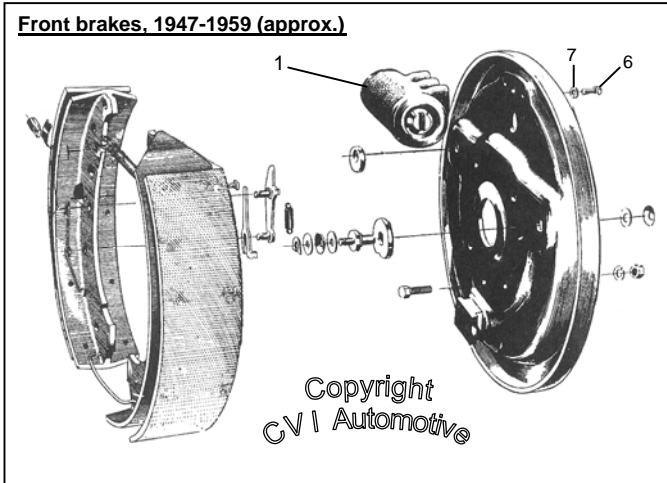
Copyright CVI Automotive

**WHEEL CYLINDERS, FRONT & REAR (WAGNER GENUINE)**

- 87450 (1.) Wheel cylinder, front, up to ch. 207865
- 273019 (2.) Repair kit, genuine (with spring)
- 87451 (3.) Wheel cylinder, rear, 444/544 to ch. 207865
- 273021 (4.) Repair kit, genuine (with spring)
- 88323 Wheel cylinder, rear, PV 445, -ch 27153
- 273021 (4.) Repair kit, genuine (with spring)
- 87462 (5.) Bleed nipple, on wheel cylinders
- 656456 Rubber cover for nipple
- 955512 (6.) Screw, wheel cyl. to backplate
- 955920 (7.) Lock washer

**BRAKE LININGS AND FITTINGS**

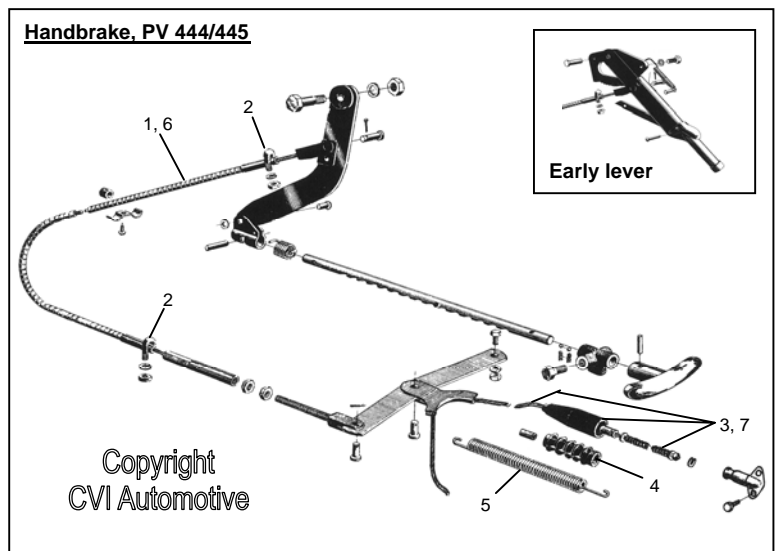
- 275800 Brake lining set, front/rear (with rivets), 444/445, (& 544 up to ch. 207865)
- 87913 (9.) Adjuster NLA
- 88830 (10.) Lock washer
- 64947011 Red brake grease for cylinder overhaul
- 64947012 Copper paste for fitting brake shoes (2 oz)



**Handbrake system**

**PV 444, early 544**

- 87803 (1.) Front cable, all 444 (subj to avail.) Call
- 80969 (2.) Clamp, for front cable
- 87802 (3.) Rear cable, 444 - ch 130942
- 655386 Rear cable, 444, ch 130943-145360 See 276354
- 276354 Handbrake cable set, 444L
- 656727 Rear cable, 444, from ch. 145361
- 86850 (4.) Dust cover, on cable
- 86970 (5.) Return spring
- 656752 Handbrake cable, 544 B16, - ch 207865
- PV 445**
- 86924 (6.) Front cable, all 445
- 80969 (2.) Clamp, for front cable
- 86925 (7.) Rear cable, 445
- 86850 (8.) Dust cover, on cable
- 86970 (5.) Return spring



**Foot Brake system**

- 659673 (1.) Wheel cylinder, front, from ch. 207866 (PV)
- 273022 (2.) Repair kit (with return spring)
- 659683 (3.) Wheel cylinder, rear, from ch. 207866 (PV)
- 273023 (4.) Repair kit (with return spring)
- 64947011 Red brake grease for cylinder overhaul

- 87462 (5.) Bleed nipple, on wheel cylinders
- 656456 Rubber cover for nipple
- 955512 (6.) Screw, wheel cyl. to backplate
- 955920 (7.) Lock washer
- 659676 (8.) Pushrod (2 per cyl.)

- 271811 (9.) Brake shoe set, front, from ch. 207866 (PV)
- 271813 (10.) Brake shoe set, rear, from ch. 207866 (PV)
- 64947012 Copper paste for fitting brake shoes (2 oz)

**659663K Guide pin/clip set, for 1 axle (11/12.)**

- 669916 (13.) Guide washer (arrow must point forwards)
- 659670 (14.) Retainer (new coming shortly) NLA
- 659672 (15.) Rubber plug, for adjuster hole
- 273172 Guide pin kit de Luxe: incls 11, 12, 13, 15
- 273173 Guide pin kit grand Luxe: incls 11, 12, 13, 15, 19, 20
- 659665/66/67B Brake adjuster (2nd-hand) (16/17/18.) NLA

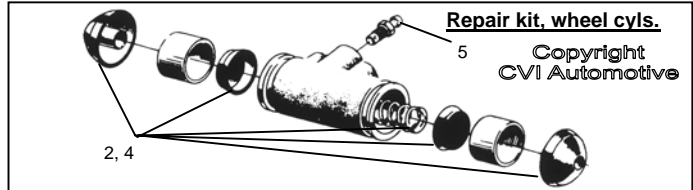
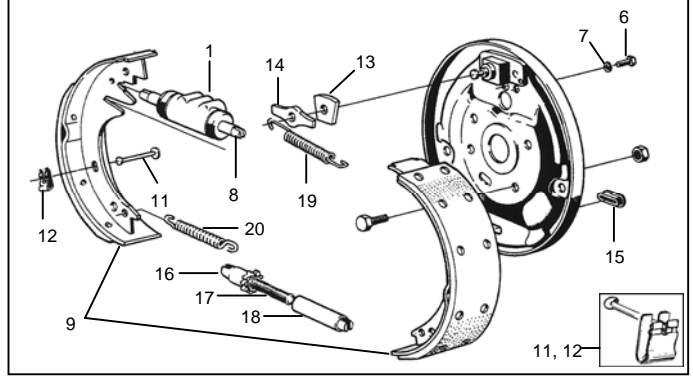
- 667160 (19.) Return spring, upper
- 659668 (20.) Return spring, lower (front and rear brakes)
- 667160-1 **Return spring set, for 1 axle (6 pcs.)**
- CVI-Set 3: **Guide pin & return spring set (1 axle)**

- 88830 (21.) Lock washer, for trailing shoe lever (rear)

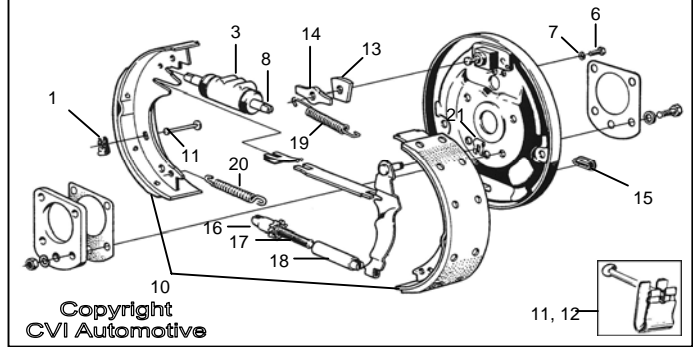
- 667102 Brake drum, genuine (with hub), front
- 673797 Brake drum, genuine (with hub), rear
- 654490 Wheel bolt
- 87699 Wheel nut

- FK-009 Fitting kit, for fitting of brake back plate

**PV 544/Duett front brakes, 1959 - 1969**



**PV 544/Duett rear brakes, 1959 - 1969**



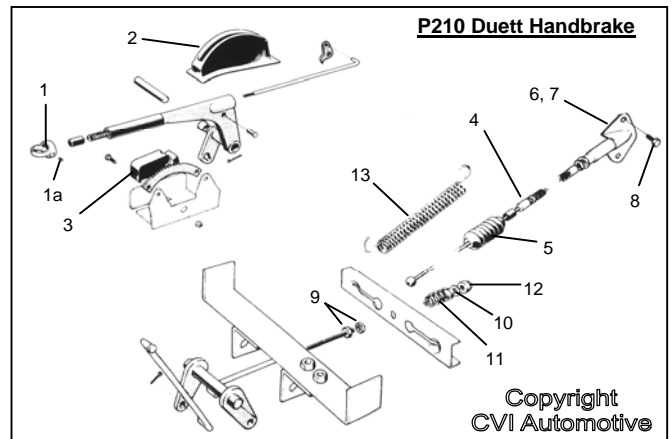
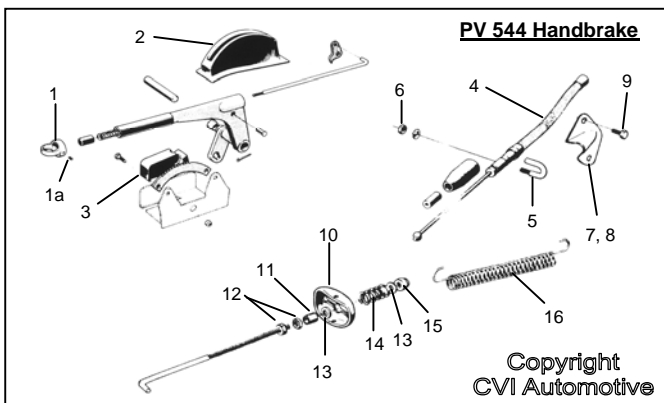
**Handbrake**

**PV 544**

- 660651 (1.) Plastic brace on handbrake lever
- 191030 (1a.) Screw
- 669582 (2.) Handbrake lever gaiter (grey)
- 658322 (3.) Seal
- 658842 (4.) Handbrake cable, genuine (2 per car)
- 80969 (5.) Clamp (U-bolt), cable to body
- 950373 (6.) Lock nut
- 658843 (7.) Clamp, cable to back plate, lh (stainless)
- 658844 (8.) Clamp, cable to back plate, rh (stainless)
- 191260 (9.) Screw NLA
- 666418 (10.) Draw brace
- 667889 (11.) Spacer sleeve
- 955826 (12.) Nut Call
- 120096 (13.) Washer Call
- 659655 (14.) Spring Call
- 950393 (15.) Nut Call
- 86970 (16.) Return spring

**DUETT**

- 660651 (1.) Plastic brace on handbrake lever
- 191030 (1a.) Screw
- 669582 (2.) Handbrake lever gaiter (grey)
- 658322 (3.) Seal
- 660087 (4.) Handbrake cable (2/car)
- 656945 (5.) Rubber cover (NB included on compl. cable)
- 658952 (6.) Clamp, cable to back plate, lh (stainless)
- 658953 (7.) Clamp, cable to back plate, rh (stainless)
- 191260 (8.) Screw NLA
- 955826 (9.) Nut
- 120096 (10.) Washer Call
- 659655 (11.) Spring Call
- 950393 (12.) Nut Call
- 86970 (13.) Return spring



PV 444 & PV 544

92517 Windscreen seal, 444 1947-'53 (R)  
 96561 Windscreen seal, 444 1954-'57 (R)  
 673228 Windscreen seal, 544/210 (R)  
 657440 Windscreen seal, cars without chrome trim

92515 Rear screen seal, 444 1947-'53 (R)  
 95962 Rear screen seal, 444 1954 - 1957 (R)  
 659811 Rear screen seal, 544 cars with trim (R)  
 657439 Rear screen seal, 544 cars w/out trim (R)

634735 Door seal, PV 444 and 544  
 92505 Door seal, lower inside of door, PV  
 90991 Steel channel around door (for rubber seal)

656030/31 Vent window seal, PV 1951-1966  
 95024 Rear upright seal for vent window, PV

93860 Luggage compartment seal, 444 '47-'53 (R)  
 95966 Luggage comp. seal, 444/544, '54-'66 (gen.)

92518 Side glass seal, 444 ('47-'57)  
 657702 Side glass seal, 544 (non-openable type)

87781 Gravel deflector, rear wing, lhs  
 87782 Gravel deflector, rear wing, rhs

666765 Bonnet rest seal, B18

82429 Rubber plugs for bonnet (9 per bonnet)

13209 Textile strip, under bonnet, 1,5m on 444,  
 445, 544, B4B/B16, (0,6m on B18)

13319 Seal around rear light housings, 544  
 658271 Seal under rear lens, 544

655947 Rubber shroud, no.plate light, 544  
 658049 Fuel filler neck seal, PV

Sold by meter

PV 445 & P210 DUETT

96348 Windscreen seal, 445 (unbonded)  
 673228 Windscreen seal, 210 (cars with trim)  
 657440 Windscreen seal, cars without chrome trim

662704/5 Door seal, Duett (all doors = 13m) (R)  
 92505 Door seal, lower inner front, Duett

666765 Bonnet rest seal, Duett  
 82429 Rubber plugs for bonnet (9 per bonnet)

13209 Textile strip, under bonnet, 1,5m on 445,  
 B4B/B16, short on P210 (0.6m on) B18

96271 Vent window seal, Duett, lhs  
 96272 Vent window seal, Duett, rhs  
 96282/83 Seal, rear, for vent window, Duett  
 92507 Door glass scraper seal, Duett (genuine)

96346 Side glass seal, Duett, front  
 96347 Side glass seal, Duett, rear  
 96345 Rear door glass seal, Duett

658071 Rubber washer, under rear door hinge,  
 Duett rear door (on body)  
 658072 Rubber washer, rear door hinge (on door)

92508 Vertical seal betwn. rear doors, Duett  
 660564 Rubber wedge, rear doors (4 per car)

662714 Seal around spare wheel flap, Duett

81052 Cushion, chassis mtg. points (16 per car)

NLA



- 87503 (1.) Front wing, lhs
- 87504 (2.) Front wing, rhs
- 276466 Fitting kit, front wing, 1954-1966 (R)

- 88596 (3.) Rear wing, lhs
- 88597 (4.) Rear wing, rhs

- 276467 Fitting kit, rear wing (R)
- 13220 (5.) Wing beading (plastic, gen.) (8m per car)

- 87304 (6.) Inner front wing, PV, lhs NLA
- 87305 (6.) Inner front wing, PV, rhs NLA

- 657490 (7.) Mudflap, front
- 657489 (8.) Mudflap bracket, front (genuine)
- FK-014 Fitting kit, frt. mudflaps & brackets, PV Call
- FK-015 Fitting kit, frt. mudflaps & brackets, Duett Call

- 87781 (10.) Gravel deflector lh
- 87782 (11.) Gravel deflector rh

- 659186 (12.) Mudflap, rear, lh
- 659187 (13.) Mudflap, rear, rh
- 276518 (14.) Mudflap bracket, rear lh
- 276519 (15.) Mudflap bracket, rear rh

- 87726-1 (17.) Repair panel, w. bumper holes (front apron)
- 663200 (18.) Repair panel, for side of front panel, PV lhs
- 663201 (19.) Repair panel, for side of front panel, PV rhs

- 663237 (20.) Bonnet, B18

- 666765 (21.) Bonnet rest seal, B18
- 82429 (22.) Rubber cushions, under bonnet (9/bonnet)

- 13209 (24.) Textile strip, und. bonnet (B18 = 1m total)
- 955153 (25.) Screw
- 940115 (26.) Screw
- 960148 (27.) Washer
- 955827 (28.) Nut
- 955950 (29.) Lock washer

- 655768 (30.) Grille surround (frame) (from 1957)
- 655774-B (31.) Grille mesh, B16 type NLA
- 666561-B (32.) Grille mesh, B18 type NLA

- 955137 (33.) Screw, mesh to frame (7/car)
- 120408 (34.) Speed nut, in grille surround (5/car)
- 941093 (35.) Screw (5/car)
- 192287 (36.) Washer (9/car)

- 656002(B) (37.) Bootlid, rust free second-hand Call
- 91693 (B) (38.) Hinge, lh, second-hand Call

- 91693-1 (39.) Star wheel, for lh hinge
- 91692 (B) (40.) Hinge, rh, second-hand Call

- 955294 (41.) Bolt
- 955826 (42.) Nut
- 120096 (43.) Washer
- 955949 (44.) Lock washer

- 940100 (45.) Screw
- 955893 (46.) Washer
- 955920 (47.) Lock washer

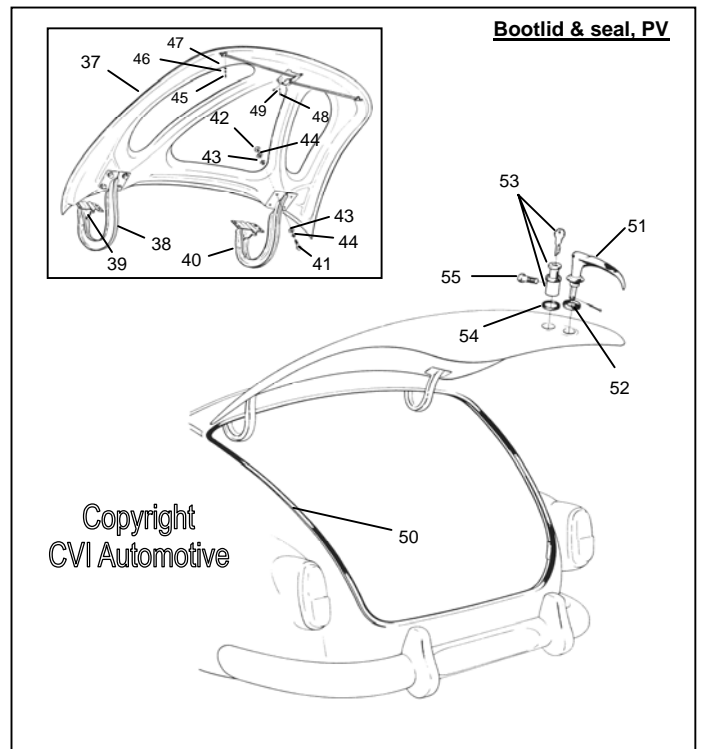
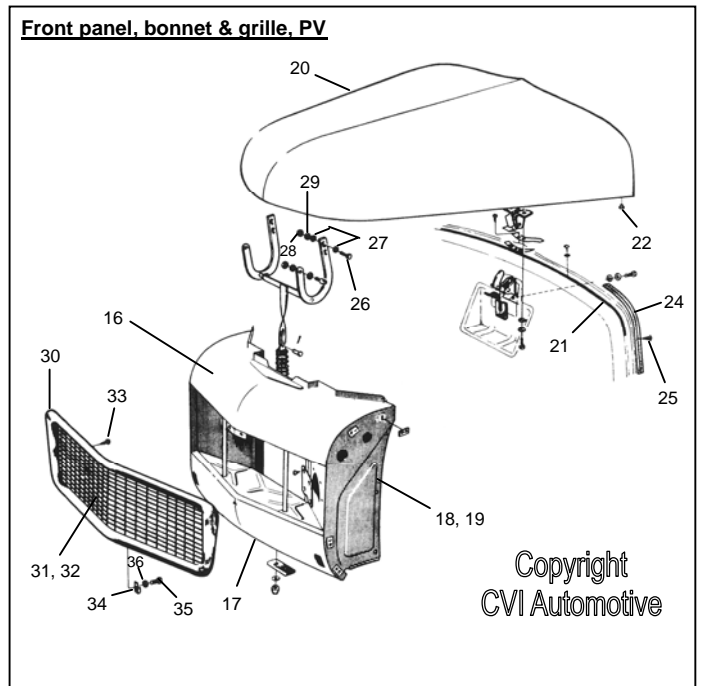
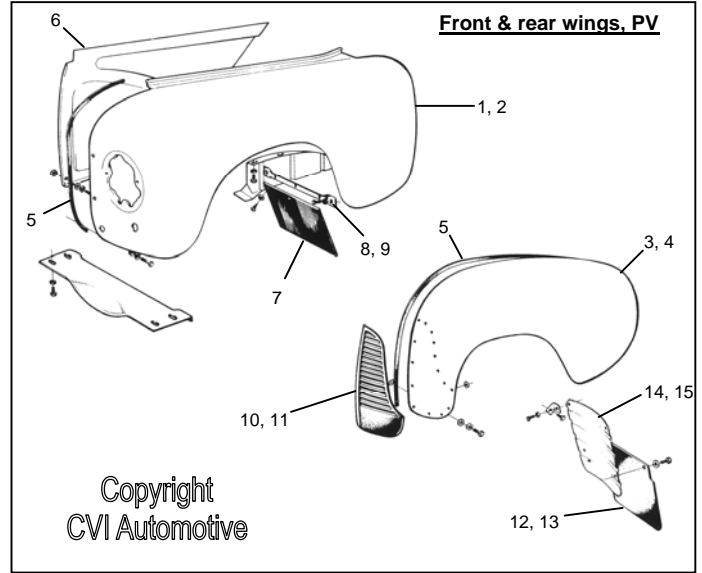
- 956092 (48.) Screw
- 955919 (49.) Spring washer

- 93860 (50.) Bootlid seal, 444 '47-'53 (R)
- 95966 (50.) Bootlid seal, genuine, 1954-1966

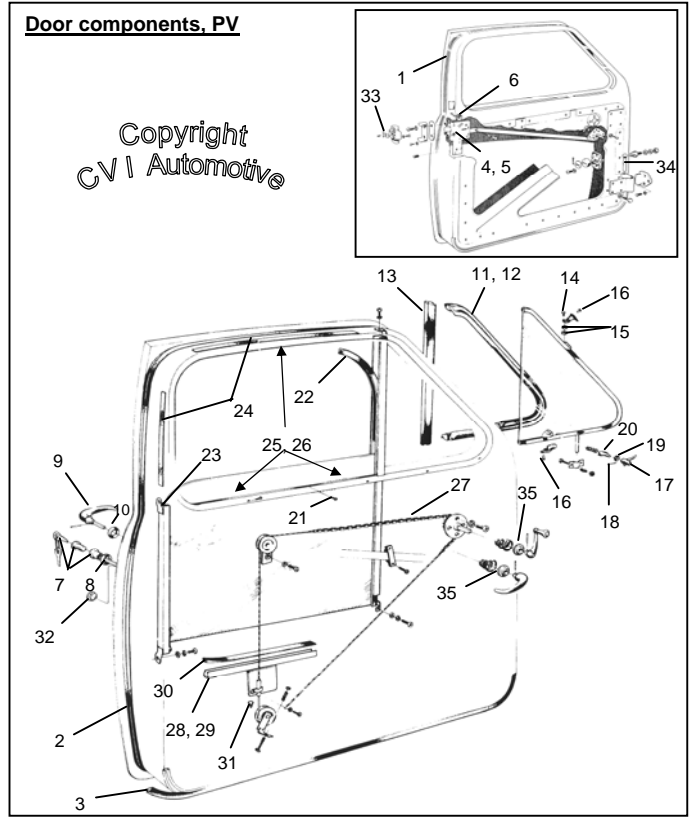
- 656315(B) (51.) Bootlid handle (second-hand) NLA
- 655531 (52.) Seal ring, under handle

- 93483 (53.) Bootlid (trunk) lock, with 2 keys

- 655532 (54.) Seal ring, under lock barrel
- 955244 (55.) Screw



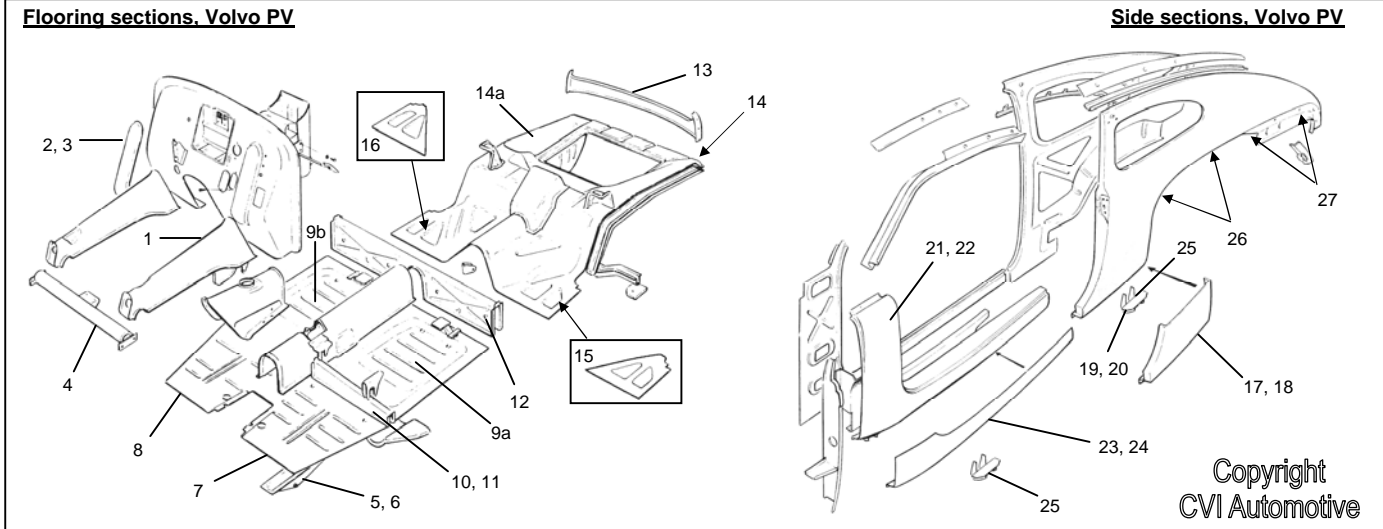
- 658296 (B) Door, PV, rhs (rust free) Call
- 90991 (1.) Steel channel around door (for rubber seal)
- 634735 (2.) Door seal
- 92505 (3.) Seal, on lower inner part of door
  
- 901012-1/2 Door skin (outer, 20 cm up) (lh/rh)
- 901013-1/2 Door bottom (lh/rh)
  
- 93894 (4.) Door lock mechanism, lh
- 657041 (5.) Door lock mechanism, rh
- 95666 (6.) Coil spring, in lock mechanism
- 93897 (7.) Door lock cylinder, with 2 keys
- 94707 Lock set, PV (1 door + trunk)
- 93902 Lock set, PV (2 doors + trunk) (USA market)
  
- 655532 (8.) Seal ring, under door lock
- 655531 (10.) Seal ring, under door handle
  
- 656030 (11.) Quarter-light seal, PV 1951-1966 lhs
- 656031 (12.) Quarter-light seal, PV 1951-1966 rhs
- 95024 (13.) Vertical seal
- 17455 (14.) Rivet (large, on outside)
- 120151 (15.) Washer
- 191644 (16.) Rivet (small, lock plate/frame)
- 663482 (17.) Handle, lh
- 133023 (18.) Pin
- 120164 (19.) Washer
  
- 14892 (21.) Screws, for fitting of whole frame
- 95008 (22.) Guide channel, front
- 92380 (23.) Guide channel, rear lower
- 656886 (24.) Sponge seal (against glass), self-adhesive
- 95006/07 (25/26) Felt seal (U-shaped), for door glass (4 pcs.)
- 955153 Screw for U-seal (28/car)
  
- 94988 (B) (27.) Cable and chain, PV (good second-hand)
- 92214 (28.) Elevator channel, lh/rh
- 92215 (29.) Elevator channel, lh/rh
- 96343 (30.) Rubber filler strip (genuine)



- 82429 (31.) Rubber stop
  - 190913-B (32.) Embellisher washer, on rh door (not USA)
  - 92527 (33.) Striker plate catch (on striker plate)
  - 671730 (34.) Pin, for door hinge
  - 663599 (35.) Bakelite washer
- Currently unavailable

**FLOOR SECTION, CHASSIS LEGS, SIDE SECTIONS, PV**

- 661094 (1.) Chassis leg, PV B18, lh
- 660668 (2.) Reinforcement, lh
- 92667 (3.) Reinforcement, rh
- 663243 (4.) Tubular section under rad., PV (B18)
  
- 663420 (5.) Chassis beam, under floor, PV, lh Use 92683
- 92683 (6.) Chassis beam, universal Call
  
- 658386-1 (7.) Floor pan, PV, front lh
- 658386-2 (8.) Floor pan, PV, front rh
- 658386-3 (9a.) Floor pan, PV, rear lh (flat pressed part)
- 658386-4 (9b.) Floor pan, PV, rear rh (flat pressed part)
  
- 93992 (10.) Seat support, lh
- 93993 (11.) Seat support, rh
- 92916 (12.) Rear seat support, 444/544 (genuine)
  
- 92737 (13.) Rear panel, below bootlid
- 663591-BR (14.) Boot floor, where jack is stored
  
- 663591-1 (15.) Floor pan under rear seat (lh)
- 663591-2 (16.) Floor pan under rear seat (rh)
- 96620 (14a.) Spare wheel container
- 673658/59(R) (17/18) Side section, in front of rear whl.arch, lh/rh
- 900083-1/2 (19/20) Jack point, PV rear, with inner sill (lh/rh) Call
  
- 92692 (21.) Cowl, with sill, PV, lh (remanufactured) NLA
- 92693 (22.) Cowl, with sill, PV, rh (remanufactured) NLA
  
- 672069 (R) (23.) Sill, lh
- 672070 (R) (24.) Sill, rh
  
- 658440 (25.) Jack point
  
- 666508F (26.) Wheel arch repair (rear), front section, lhs
- 666509F (26.) Wheel arch repair (rear), front section, rhs
  
- 666508B (27.) Wheel arch repair (rear), rear section, lhs
- 666509B (27.) Wheel arch repair (rear), rear section, rhs



- 87503 (1.) Front wing, lhs
- 87504 (2.) Front wing, rhs
  
- 276466 Fitting kit, front wing, 1954-1969 (R)
- 13220 Wing beading (plastic, gen.) (8m per car)
  
- 86913 (3.) Inner wheel housing, lhs
- 86914 (4.) Inner wheel housing, rhs
  
- 657479 (5.) Mudflap, front
- 657490 (5.) Mudflap, front
- 86978 (6.) Mudflap bracket, front
- Fitting kit for front mudflaps
  
- 87726-2 (8.) Repair panel (front apron)
  
- 663237 (9.) Bonnet, B18
  
- 666765 (10.) Bonnet rest seal, B18
- 82429 (11.) Rubber cushions, under bonnet (9/bonnet)
  
- 13209 (13.) Textile strip, und. bonnet (B18 = 1m total)
- 955153 (14.) Screw
  
- 940115 (15.) Screw
- 960148 (16.) Washer
- 955827 (17.) Nut
- 955950 (18.) Lock washer
  
- 655768 (19.) Grille surround (frame) (from 1957)
- 655774-B (20.) Grille mesh, B16 type (used)
- 666561-B (21.) Grille mesh, B18 type (used)
- 955137 (22.) Screw, mesh to frame (7/car)
- 120408 (23.) Speed nut, in grille surround (5/car)
- 941093 (24.) Screw (5/car)
- 192287 (25.) Washer (9/car)

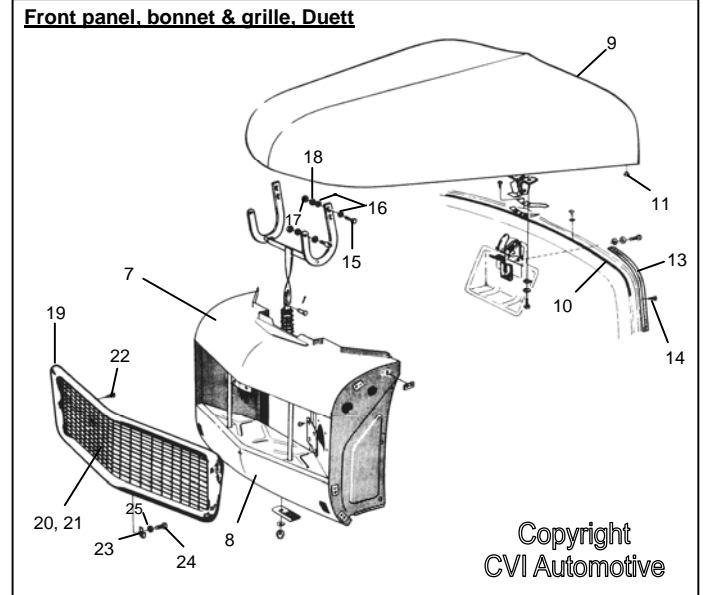
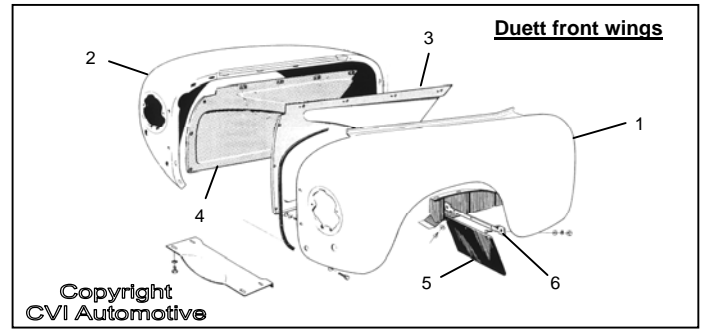
Use 657490

Call

NLA

NLA

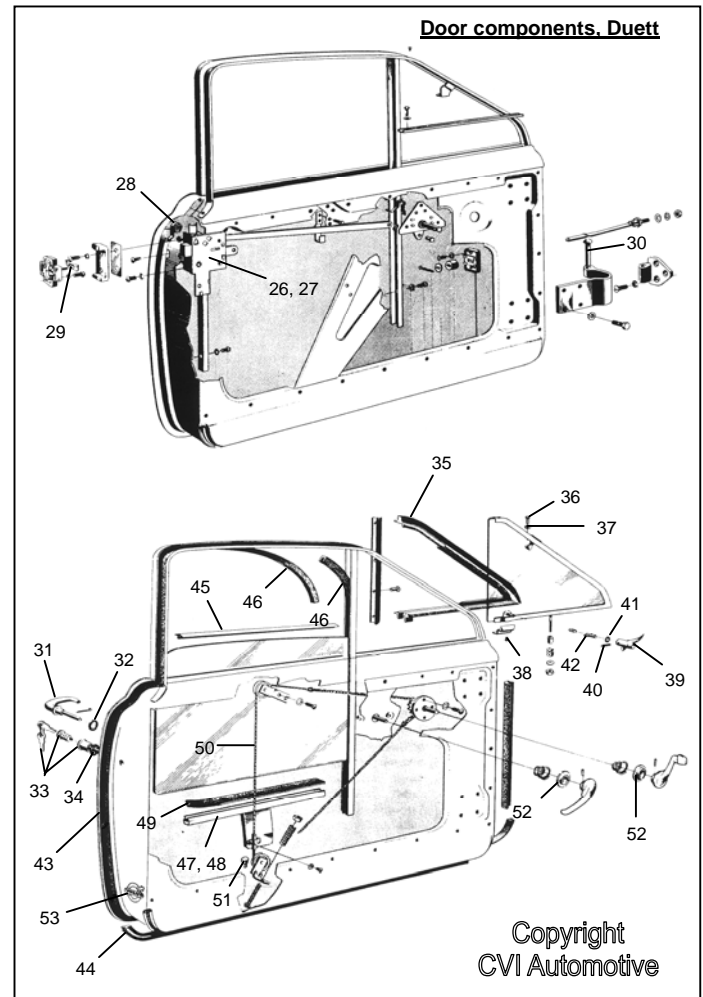
NLA

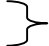


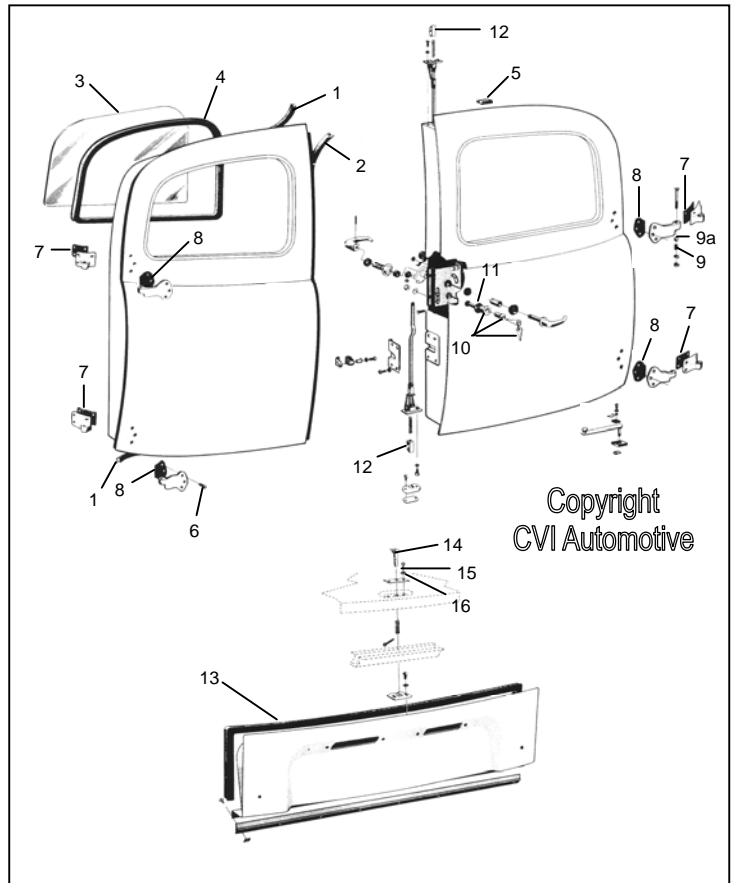
- 901512-1/2 Lower door skin, Duett (lhs/rhs)
- 901513-1/2 Door bottom, Duett (lhs/rhs) Call
  
- 93894 (26.) Door lock mechanism, lhs
- 657041 (27.) Door lock mechanism, rhs
- 95666 (28.) Coil return spring, on mechanism
- 92527 (29.) Striker plate catch
- 671730 (30.) Door hinge pin
  
- 655531 (32.) Seal ring, under door handle
  
- 93897 (33.) Door lock cylinder, with 2 keys
- 93897-2 Paired locks (driver+rear) (2 locks, same keys)
  
- 655532 (34.) Seal ring, under door lock
  
- 96272 (35.) Vent window seal, Duett (rhs only available)
- 17455 (36.) Rivet (large, on outside)
- 120151 (37.) Washer
- 191644 (38.) Rivet (small, lock plate/frame)
- 663482 (39.) Handle, lh
- 133023 (40.) Pin
- 120164 (41.) Washer
- 95068 (42.) Pushrod
  
- 662706 (43.) Door seal, Duett (all doors = 13m) (R)
- 92505 (44.) Door seal, lower inner front, Duett
- 92507 (45.) Door glass scraper seal, Duett (genuine)
- 96092 (46.) Door glass guide channel, Duett (4 m/car)
  
- 92214 (47.) Elevator channel, lh
- 92215 (48.) Elevator channel, rh
- 96343 (49.) Rubber filler strip (genuine)
- 96308 (50.) Cable and chain, Duett
  
- 82429 (51.) Rubber stop
- 663599 (52.) Bakelite washer under inner door handle
- 678127 (53.) Reflective emblem on door edge

Call

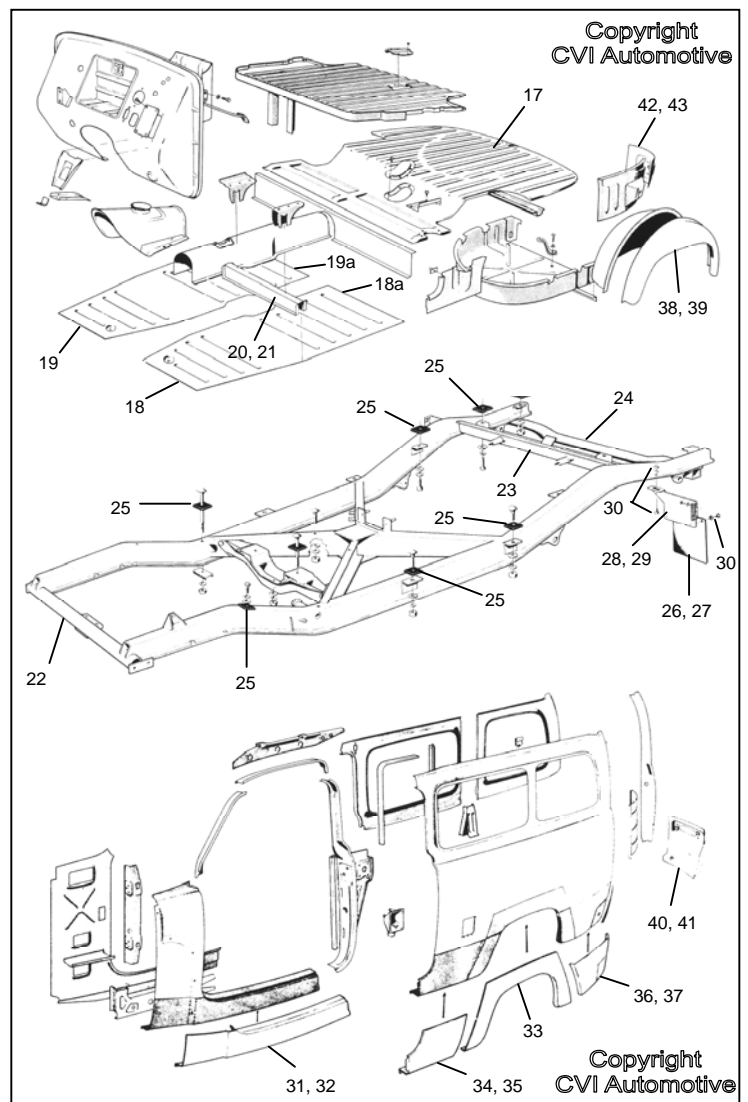
Call

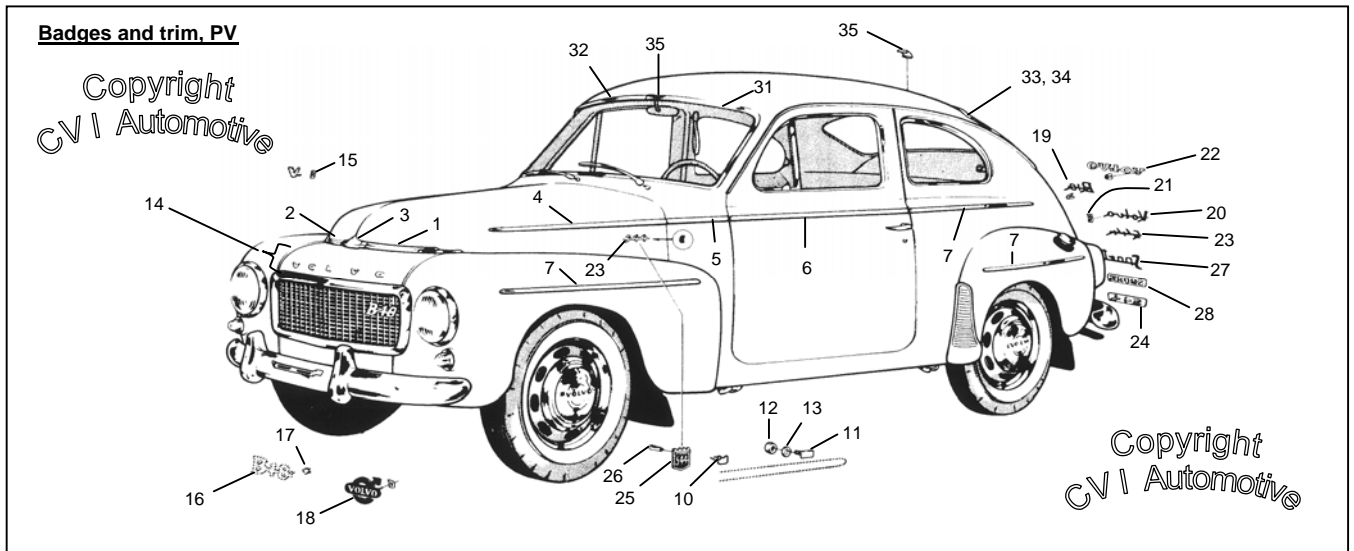


- 662706 Door seal, Duett (all doors = 13m)  
**(1.)** Rubber seal round rear doors: also fits spare wheel flap: 13m per car in total
- 92508 **(2.)** Rubber seal, vertical between the doors
- 655893 **(3.)** Glass
- 96345 **(4.)** Rubber seal for glass
- 660564 **(5.)** Rubber wedge, rear doors (4 per car)
- 658063 to 658070  Door hinge parts: one or two in stock - please call
- 14374 **(6.)** Screw for hinges
- 658071 **(7.)** Rubber seal, body side
- 658072 **(8.)** Rubber seal, door side
- 96164 **(9.)** Spring (4/car)
- 96163 **(9a.)** Ball, in hinge attachment (4/car)
- 93897 **(10.)** Door lock cylinder, with 2 keys  
*Door lock sets with same keys* See page 35
- 655532 **(11.)** Seal, under lock barrel
- 656804 **(12.)** Lock catch, upper and lower, on rh door
- 96058 Spare wheel flap (R) Call
- 662714 **(13.)** Seal, spare wheel flap (see page 30 also)
- 96299 **(14.)** Lock pin, for flap NLA
- 950020 **(15.)** Screw for lock pin
- 907834 **(16.)** Split pin

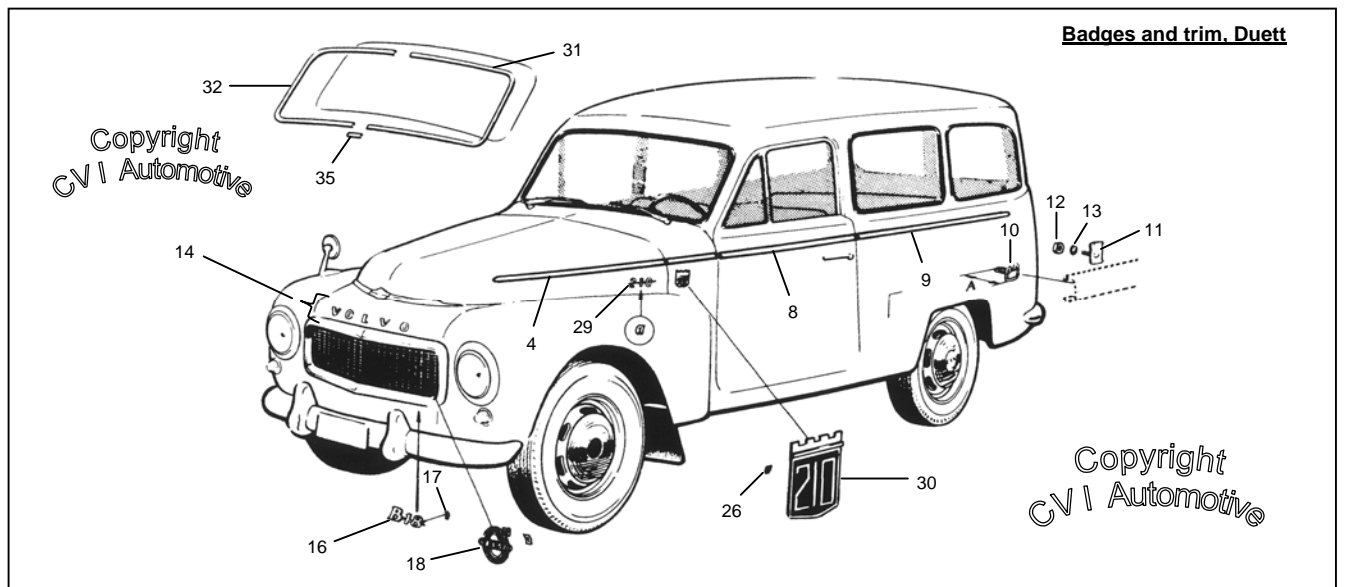


- 661981 **(17.)** Load-bay floor, complete (to order) (R) Call
- 96014-1 **(18.)** Floor pan, front, lhs
- 96015-2 **(19.)** Floor pan, front, rhs
- 96014-3 **(18a.)** Floor pan, rear, lhs
- 96015-4 **(19a.)** Floor pan, rear, rhs
- 93992 **(20.)** Seat support, lhs (R)
- 93993 **(21.)** Seat support, rhs (R)
- 663244 **(22.)** Tubular section under radiator
- 651768 **(23.)** Crossmember, with 89578 bolt for rear shock lower mounting
- 656179 **(24.)** Crossmember, rearmost
- 81052 **(25.)** Cushion, chassis mtg. points (16 per car)
- 277247 **(26.)** Mudflap, rear, lhs
- 277248 **(27.)** Mudflap, rear, rhs
- 95889 **(28.)** Mudflap bracket, rear, lhs
- 95890 **(29.)** Mudflap bracket, rear, rhs
- 96021 **(30.)** Fitting kit for rear mudflaps
- 615413 **(31.)** Sill, lhs
- 615414 **(32.)** Sill, rhs
- 615410 **(33.)** Wheel arch, Duett (fits lhs & rhs)
- 615408 **(34.)** Side panel, in front of rear wheel, lhs
- 615409 **(35.)** Side panel, in front of rear wheel, rhs
- 615404 **(36.)** Side panel, behind rear wheel, lhs
- 615405 **(37.)** Side panel, behind rear wheel, rhs
- 96021 **(38.)** Wheel housing, outer, lhs NLA
- 96022 **(39.)** Wheel housing, outer, rhs (use lhs) NLA
- 96045 **(40.)** Panel for rear light, lhs, outer
- 96046 **(41.)** Panel for rear light, rhs, outer
- 96165 **(42.)** Panel for rear light, lhs, inner
- 96166 **(43.)** Panel for rear light, rhs, inner

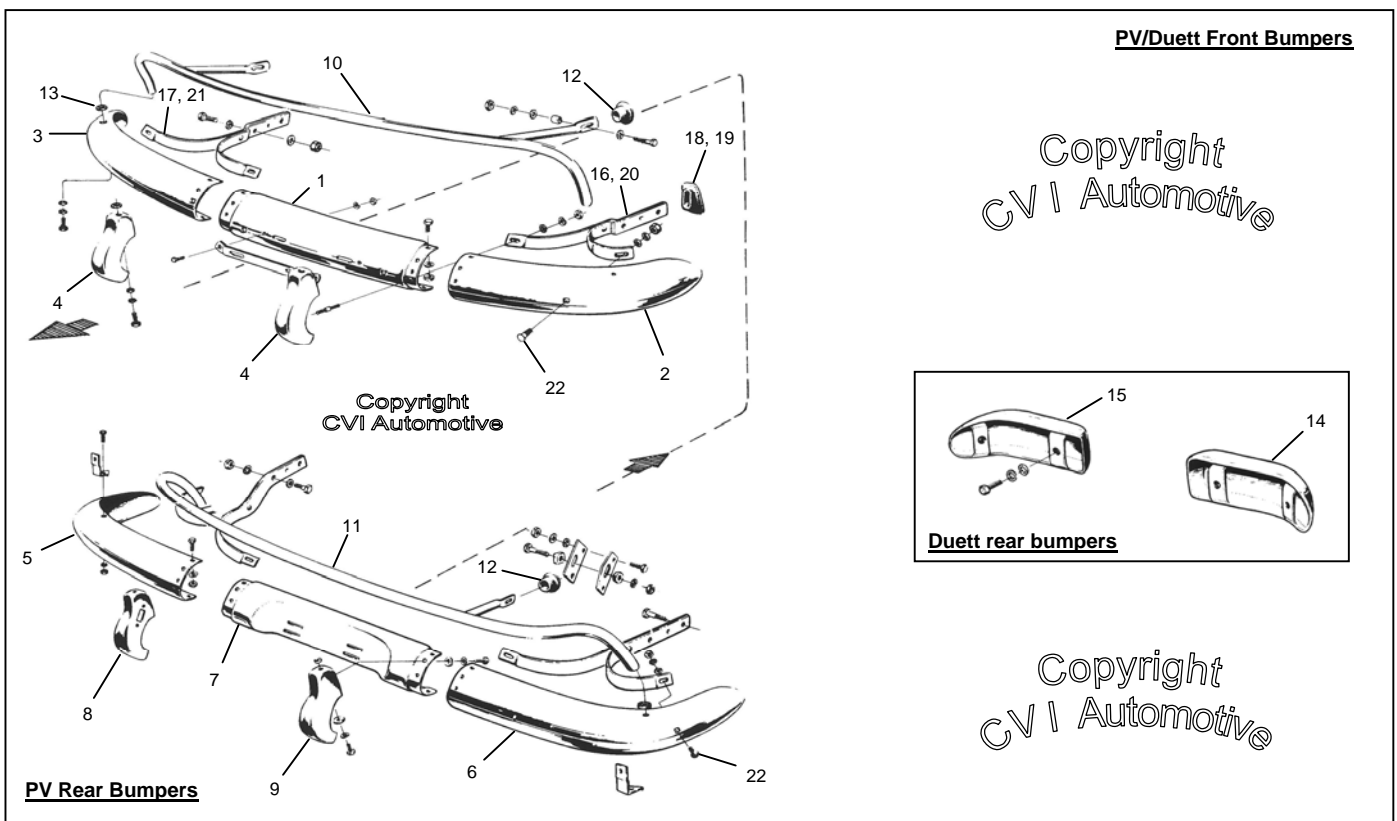




96966	(1.) Chrome trim on front of bonnet, lhs	} Not available	667184	(16.) B18 emblem, large, on grille (to 1964)	
96967	(2.) Chrome trim on front of bonnet, rhs		192586	(17.) Clips	NLA
666891	(3.) Center trim				
655796	(4.) Body side trim, stainless, on bonnet		670900	(18.) Volvo emblem on grille, 1965-1969	Call
655798	(5.) Body side trim (short), on cowl		671405	Clips for Volvo badge 670900	NLA
94410	(6.) Body side trim, on door, PV		666444	(19.) B18 emblem, small, on bootlid, 1961-'64	
94409	(7.) Side trim on body (rear) and wings		655841	(20.) Volvo, bootlid, -1964	
			82660	(21.) Speed nut	
			671159	(22.) Volvo, on bootlid (1965-1966)	
656849	(8.) Body side trim, on door, Duett		659082	(23.) 544 emblem, bonnet sides/bootlid, -'64	
96351	(9.) Body side trim, on rear body, Duett		671190	(24.) 544 emblem, bootlid, 1965-'66	
95384	(10.) Clip, for side trim		671096	(25.) 544 emblem, on cowl, 1965-'66	
654585	(11.) Anchorage clip for frt./rear of wing trim		664621	(26.) Clips, genuine	NLA
940092	(12.) Nut				
955946	(13.) Lock washer		663509	(27.) Sport, on bootlid, -'64 (script)	
94815	444 on side of bonnet	NLA	671189	(28.) Sport, on bootlid, 1965-'66	
94442	Swallow on side of bonnet	NLA	663768	(29.) 210, on bonnet, -1964	
94460	Swallow on middle front of bonnet	NLA	671097	(30.) 210, on cowl, 1965-1969	
87703/94460	Volvo on front panel, 444 A-K	NLA	657435	(31.) Front screen trim, lhs	
96983	Volvo on front panel, early 445	NLA	657436	(32.) Front screen trim, rhs	
655807	Emblem "V" on rad. grille, 1957	NLA	657437	(33.) Rear screen trim, lhs	NLA
			657438	(34.) Rear screen trim, rhs	NLA
276376	(14.) Volvo letters, front panel, 1958-69 <u>genuine</u>		660151	(35.) Junction piece	73
82660	(15.) Speed nut (included in 276376)				
656911	Volvo, in gold, on rad. grille, B16		<b>658090</b>	<b>Dashboard trim set (all 4 pieces)</b>	
			659440	Clips for dashboard trim (glove box lid)	
			663973	Clips for dashboard trim (remainder)	NLA

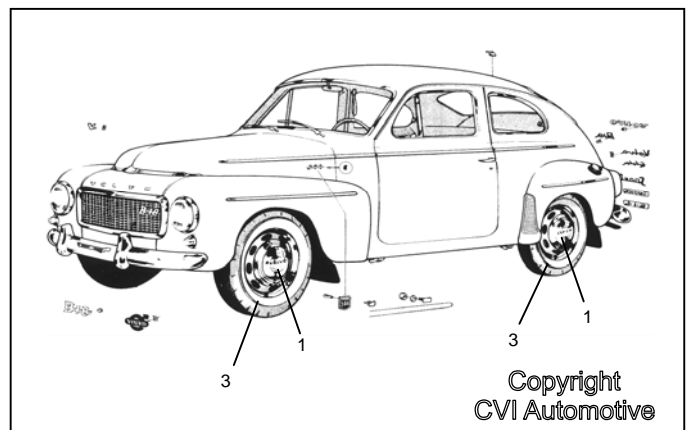
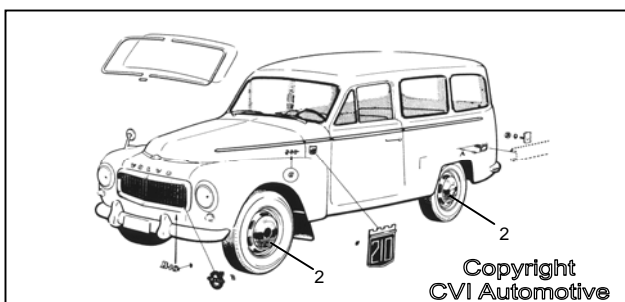


661697	(1.) Bumper section, front center		89489	Section between o'riders, 1954-1957	Call
661695	(2.) Bumper section, front lhs		95255	Red lens in section between overriders	Call
661696	(3.) Bumper section, front rhs			Bumper sections, rear lhs/rhs, PV 1950-'53	Call
661248	(4.) Bumper overriders, front, '54-'69				
88509	(5.) Bumper section, rear lhs	(PV '54-'66)	661246	(16.) Bumper iron, lhs front	(PV ch 274640-)
88510	(6.) Bumper section, rear rhs	(PV '54-'66)	661247	(17.) Bumper iron, rhs front	(PV ch 274640-)
658248	(7.) Bumper section, rear center, PV		87295	(18.) Rubber gaiter, front	(PV)
			86895	(19.) Rubber gaiter, front	(Duett)
89493/94	Overriders, rear lh/rh	(PV 444 '54-'57)			
657385	(8.) Overrider, lh rear	(PV 1958-'66)	88390	Bumper iron, front, earliest 445	
657386	(9.) Overrider, rh rear	(PV 1958-'66)	89280	Bumper iron, front, lhs, 445	
			89281	Bumper iron, front, rhs, 445	
651831	(10.) American bumper bar (yankee bar), front	NLA			
651832	(11.) American bumper bar (yankee bar), rear	NLA	661733	(20.) Bumper iron, flhs	(later 445/210)
667075	(12.) Grommet, through body, for above		661734	(21.) Bumper iron, frhs	(later 445/210)
651989	(13.) Plastic washer for yankee bars (4/car)	NLA			
96294	(14.) Bumper section, rear lhs	Duett	190373	(22.) Chrome bumper bolt	
96295	(15.) Bumper section, rear rhs	Duett			

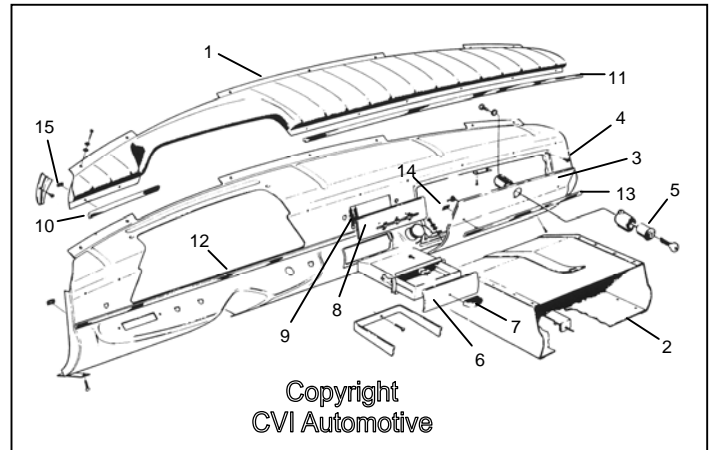


HUB CAPS, VOLVO PV & DUETT

87107	(1.) Hub cap, "Volvo", 1947-'62 ( <u>minus</u> decal)	670437	(2.) Hub cap, '65-'69
87107 (D)	Red decal/sticker for center of hubcap		
654108	Hub cap, "V", 1962-'64 ( <u>minus</u> decal)		
654108 (D)	Red decal/sticker for center of hubcap		



- 658249 (1.) Dashpad, PV and Duett
- 94522 (2.) Glove box (444/445)
- 657996 (2.) Glove box (544/210)
- 658003 (B) (3.) Glove box lid (used)
- 93963 (4.) Rubber button, glove box (2/lid)
- 93646 (B) (5.) Lock for lid NLA
- 657569 (B) (6.) Cover plate, for ashtray NLA
- 657514 (7.) Handle
- 658040 (B) (8.) Radio cover plate, good used
- 656321 (9.) Clips for cover plate NLA
  
- 658090 Trim moulding set (nos. 10-13)**
- 659440 (14.) Clips for trim (glove box lid)
- 663973 (15.) Clips for trim (remainder) NLA

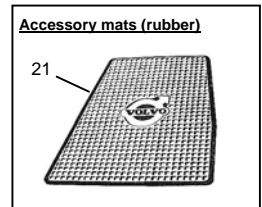
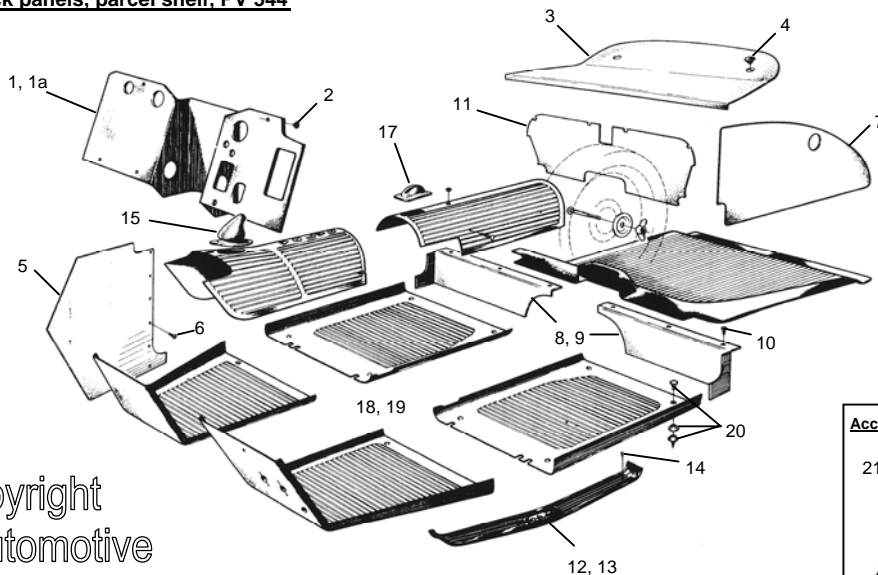


**Kick Panels, Floor Mats and Sundry Interior Parts for Volvo PV**

- 691585 (1.) Firewall mat (Grey, -1964)
- 691585S (1a.) Firewall mat (Black, 1965-)
- 671261 (2.) Rubber plug (6 per car)
- 94795 (3.) Rear parcel shelf (grey, 1950-1953)
- 96748 (3.) Rear parcel shelf (grey, 1954-1957)
- 659978 (3.) Rear parcel shelf (grey, without holes)
- 659978-1 (3.) Rear parcel shelf (1960-1962)
- 663046 (3.) Rear parcel shelf (black 1963-1966)
- 660339 (4.) Rubber plug (black) for parcel shelf
- 96742 (5.) Kick panel, lhs (grey) (444/445)
- 96743 (5.) Kick panel, rhs (grey) (444/445)
- 659512 (5.) Kick panel, lhs (grey) (544/210)
- 659513 (5.) Kick panel, rhs (grey) (544/210)
- 955127 (6.) Screw for kick panels
- 96636 (7.) Black cardboard by spare wheel
- 659516 (8.) Grey cardboard under rear seat, lhs
- 659517 (9.) Grey cardboard under rear seat, rhs
- 13170-S (10.) Special nails for cardboard under seat
- 661588 (11.) Grey panel, rear seat to luggage comp.
- 660157 (12.) Sill step rubber, 544, lhs
- 660158 (13.) Sill step rubber, 544, rhs } Not currently available
- 955153 (14.) Screws for above (yellow - 26 per car)
- 96588 Gear lever gaiter, 444/445 (grey or black)
- 659493 (15.) Gear lever gaiter, PV 544
- 669582 (17.) Handbrake lever gaiter

- 
- 96581 (18.) Floor mat set, grey, for 444 and 445 (set of 6 mats) (1954 - 1957)
  - 659476 (19.) Floor mat set, grey, for 544 and Duett (set of 6 mats) (1958 - 1969) (see illustration below)
  - 94945-1 (20.) Set of 14 push-fit lock buttons for mat sets
  - 279632 (21.) Set of 4 grey genuine accessory rubber floor mats (these sit on top of main mats)

**Floor mats, kick panels, parcel shelf, PV 544**



Copyright  
CVI Automotive

**B16 Models (1958 - 1961)**

Most upholstery is now available again, both European & US versions: please state upholstery code when ordering

**Door Panels: (sold in pairs only)**  
 (Most panels now available- state upholstery code)

**Headlinings**

		PV 444A	beige weave, to ch c:a 9500	NLA
92710	(4.)	PV 444	49-'53, grey cloth	
95997	(4.)	PV 444	54-'57, grey cloth	
98390	(4.)	PV 544	'58-'63 textile woven cloth	

**Headlinings**

98390	(4.)	PV 544	'58-'63 textile woven cloth
98762	(4.)	PV 544	1963-1966, perforated vinyl

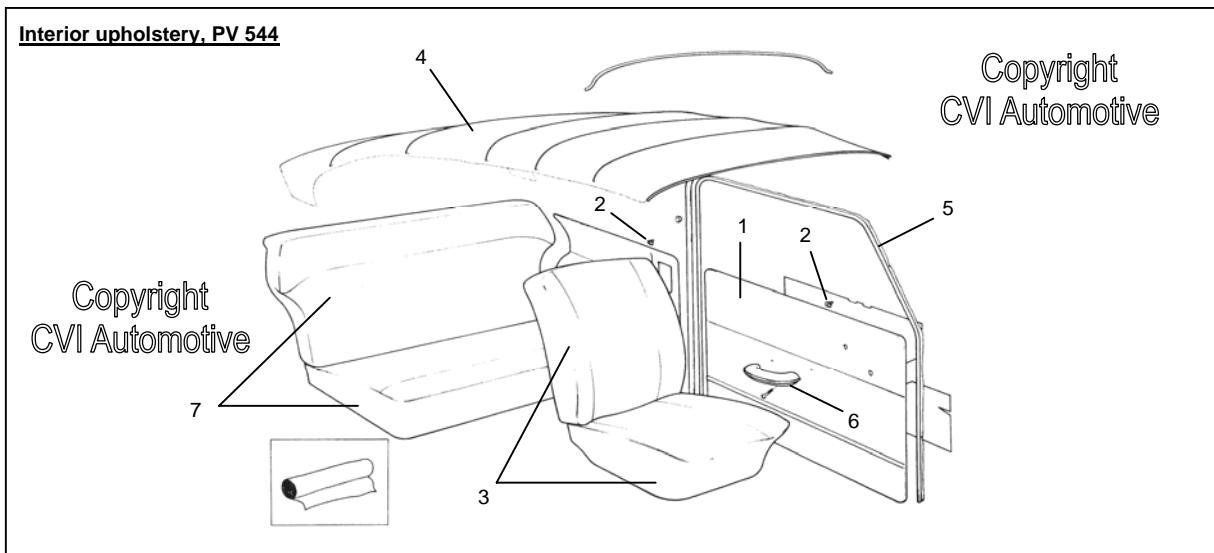
**"B" post upright strips**

These are available for all combinations - state upholstery code

**B18 Models (1961/62 - 1966)**

**Door Panels: (sold in pairs only)**

<u>Part no.</u>	<u>Posn.</u>	<u>Code</u>	<u>Style</u>	<u>Year</u>	<u>Model</u>	<u>Priced per pair</u>	
690487/88	(1.)	37-194	(beige/nougat)	USA 61-63	544C-D		
690487/88	(1.)	40-197	(beige/nougat)	Europe 61-63	544C-D		
690497/98	(1.)	38-195	(red)	USA 62-63	544C-D		
690507/08	(1.)	39-196	(beige/blue)	USA '62	544C		
690507/08	(1.)	41-198	(blue/blue)	Europe '62	544C		
690772/73		42-220	(grey/grey)	USA 62-63	544C-D		
690772/73	(1.)	44-222	(grey)	62-'63	544C-D		
690782/83	(1.)	45-223	(red)	62-'63	544C-D		
691166/67	(1.)	46-237	(grey)	USA '64	544E		
691166/67	(1.)	49-239	(grey)	Europe '64	544E		
691178/79	(1.)	48-256	(yellow)	USA '64	544E	} Not yet available	
691178/79	(1.)	51-257	(yellow)	Europe '64	544E		
691172/73	(1.)	47-238	(red)	USA '64	544E		
691172/73	(1.)	50-240	(red)	Europe '64	544E		
691534/35	(1.)	52-510	(red)	1965-66	544F-G		
691544/45	(1.)	53-511	(black)	1965-66	544F-G		
691564/65	(1.)	55-513	(blue)	1965-66	544F-G		
95290	(2.)	Clips for interior door panel					





**Seat Cover Upholstery for B16 model PV 544**

**Seat Cover Upholstery for B18 model PV 544**

**Front seats (bottom & upright, # 3 on diagram)**

**Rear seats (# 7 on diagram)**

**European version (cloth and vinyl mix)**

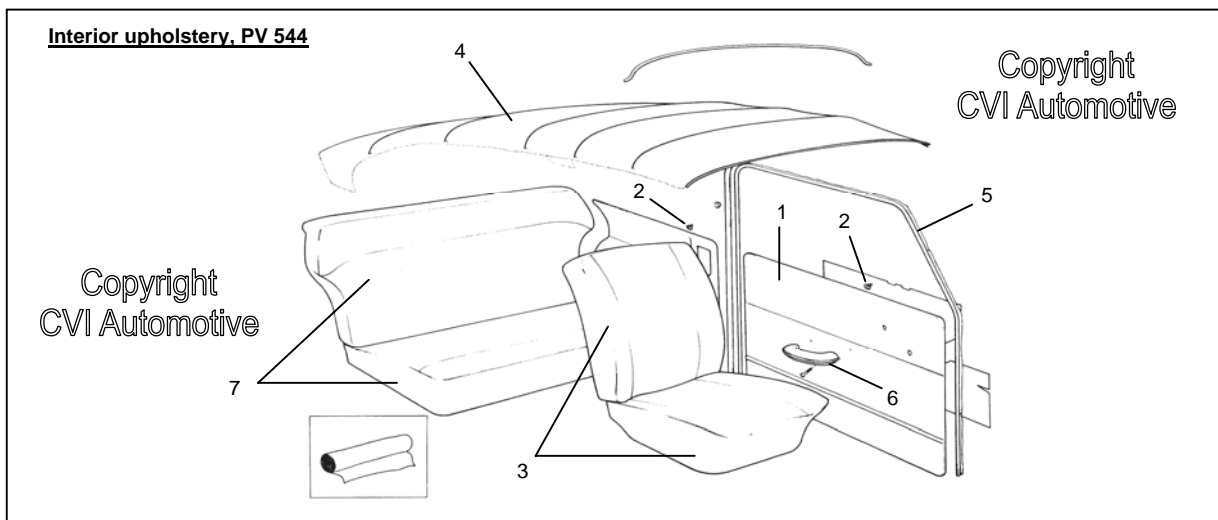
<u>Code</u>	<u>Style</u>	<u>Part numbers</u> (Front seats)	<u>Part numbers</u> (Rear seats)
44-222	(1962-63 grey)	690788/89	690790/91
41-198	(1962-63 blue)	690523/24	690525/26
40-197	(1962-63 beige)	690513/14	690515/16
45-223	(1962-63 red)	690792/93	690794/95
49-239	(1964 grey)	691184/85	691186/87
50-240	(1964 red)	691188/89	691190/91
52-510	(1965-66 red)	691530/31	691532/33
53-511	(1965-66 black)	691540/41	691542/43
55-513	(1965-66 blue)	691560/61	691562/63

**USA version (all-vinyl up to 1964)**

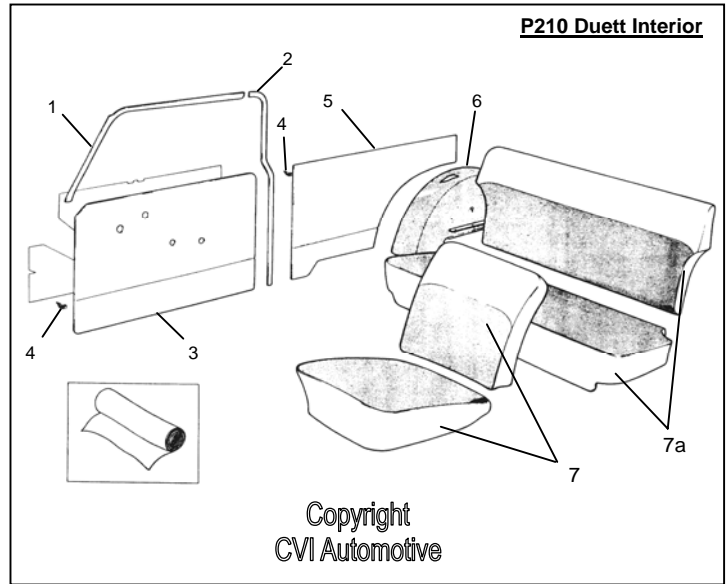
<u>Code</u>	<u>Style</u>	<u>Part numbers</u> (Front seats)	<u>Part numbers</u> (Rear seats)
41-198	(blue/beige 62/63)	690503/04	690505/06
42-220	(62/63 grey)	690768/69	690770/71
46-237	(1964 grey)	691154/55	691160/61
43-221	(62/63 red)	690778/79	690780/81
47-238	(1964 red)	691156/57	691162/63
52-510	(1965-66 red)	691530/31	691532/33
53-511	(1965-66 black)	691540/41	691542/43
55-513	(1965-66 blue)	691560/61	691562/63

**Miscellaneous Items**

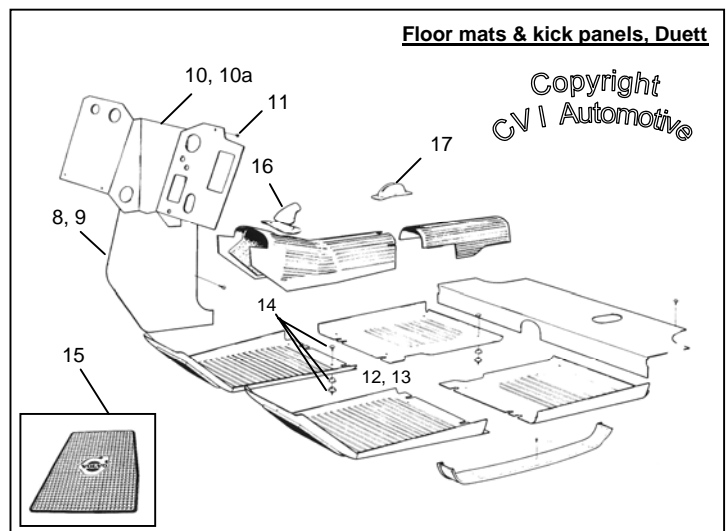
98284	(5.)	Door aperture textile trim (beige - PV 444)	668969(B)	(6.)	Arm rest, from 1964	(good used)	NLA
99457	(5.)	Door aperture textile trim (black - PV 544)	663599		Bakelite washer, under door handles, B18		



- 98284 Door aperture textile trim (beige - early)
- 99457 Door aperture textile trim (black - B16/B18)
  
- 691126-1 Cover kit for B post + strip ab. door (grey)  
**(1 + 2)**
- 692274-1 Cover kit for B post + strip ab. door (brown)
  
- 691194/95 **(3.)** Door panel ('64-'66 grey)
- 692268/69 **(3.)** Door panel ('67-'68 brown)
- 95290 **(4.)** Clips for interior door panels
- 691130/31 **(5.)** Rear side panel ('64-'66 grey)
- 692278/79 **(5.)** Rear side panel ('67-'68 brown)
  
- 691132/33 **(6.)** Rear wheel arch cover ('64-'66 grey)
- 692266/67 **(6.)** Rear whl. arch cover ('67-'68 brown)
  
- 691154/55 **(7.)** Seat covers (1 frt. seat) ('64-'66 grey)
- 692262/63 **(7.)** Seat covers (1 frt. seat) ('67-'68 brown)
  
- 691124/25 **(7a.)** Seat covers (1 back seat) ('64-'66 grey)
- 692264/65 **(7a.)** Seat covers (1 back seat) ('67-'68 brown)

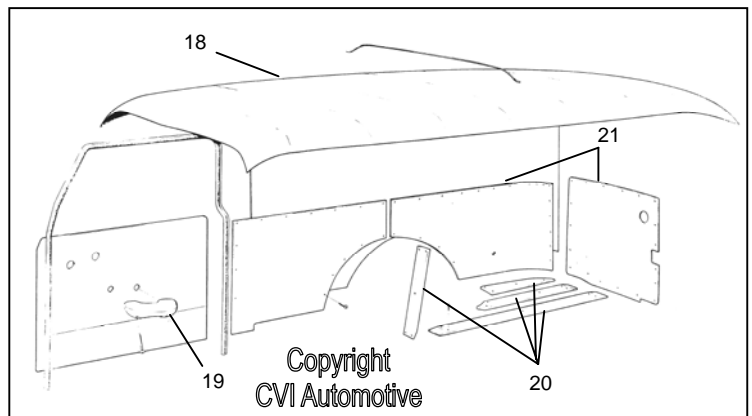


- 96742 **(8.)** Kick panel, lhs (grey) (444/445)
- 96743 **(9.)** Kick panel, rhs (grey) (444/445)
- 659512 **(8.)** Kick panel, lhs (grey) (544/210)
- 659513 **(9.)** Kick panel, rhs (grey) (544/210)
  
- 691585 **(10.)** Firewall mat (Grey)
- 691585S **(10a.)** Firewall mat (Black)
- 671261 **(11.)** Rubber plug (6 per car)
  
- 96581 **(12.)** Floor mat set, grey PV 445
- 659476 **(13.)** Floor mat set, grey P210
- 94945-1 **(14.)** Set of 14 push-fit lock buttons for mat sets
  
- 279632 **(15.)** Set of 4 grey genuine accessory floor mats  
(these sit on top of main mats)
  
- 659701 **(16.)** Gear lever gaiter (P210)
- 669582 **(17.)** Handbrake lever gaiter



**HEADLININGS FOR PV 445 & P210 (READY-TO-FIT)**

- 98802 **(18.)** PV 445 Grey cloth (-1958)
- 690259 **(18.)** P210 textile woven cloth (1958-'63)
- 690257 **(18.)** P210 Perforated vinyl (1964-'69)
  
- 668969 **(19.)** Arm rest, from 1964 (used only) NLA
- 663599 Bakelite washer, under door handles, B18
  
- 96500 Wooden slat set in luggage area **(20.)**
  
- 955156 Fitting kit, for slats Call



96488/89 etc. **(21.)** Load bay panel set Not currently available  
 955157 Screw fitting kit, for panels Call

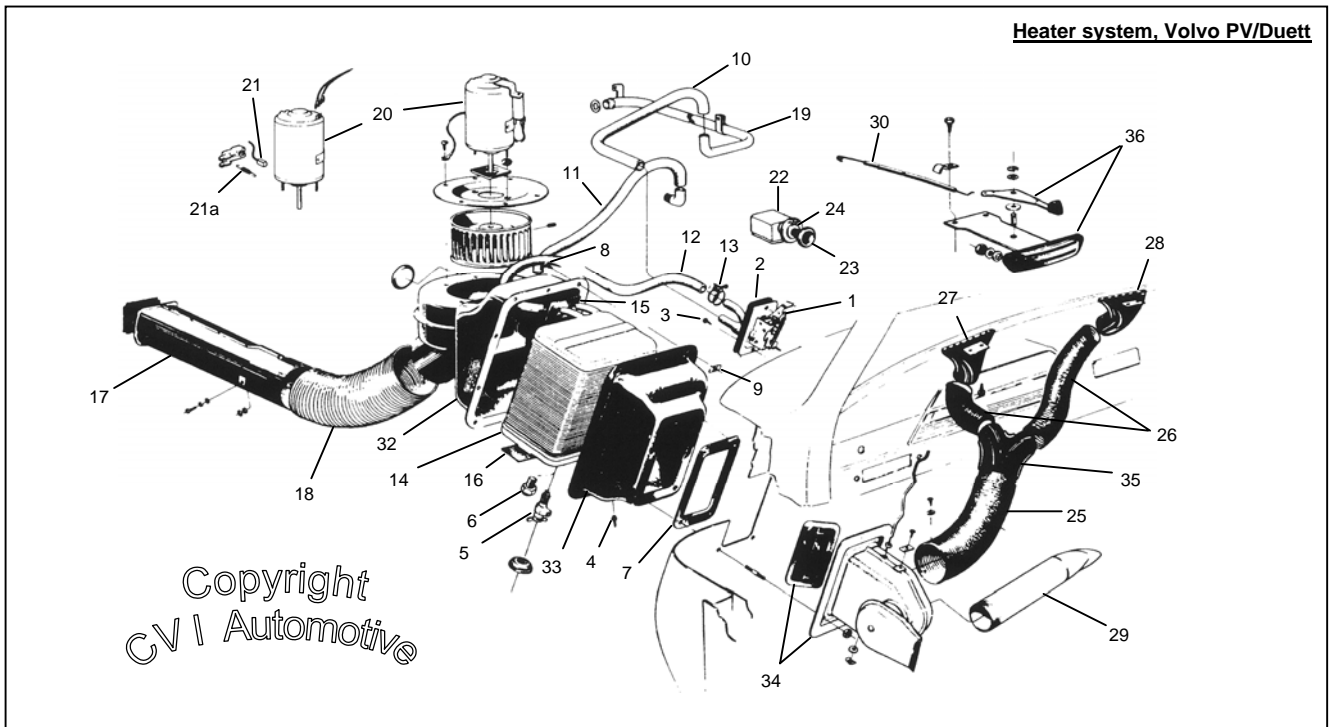
**WINDSCREEN, PV/DUETT**

**HEATED REAR SCREEN, PV 544**

- 657268 Windscreen, PV/Duett, B16/B18, clear
- 671887 Windscreen, green tinted
- 671888B Windscreen, with blue top tint
  
- 673711 Heated rear screen, PV544 (green tint only)

} **Unfortunately we can no longer ship these - for collection only.**

673452	(1.) Heater control valve (B16 PV ch 295500-, B18)		95326 (ER)	(20.) Fan motor, 6v ( <u>exchange</u> rebuilt)	
659357	(2.) Rubber seal		668606 (ER)	(20.) Fan motor, 12v ( <u>exchange</u> rebuilt)	
955127	(3.) Screw	(2 per valve)		(Core charge: sek 500 assuming we have stock)	
82429	(4.) Rubber cushion	(7 per car)	671984	(21.) Carbon brushes, fan	(2 per car) NLA
82745	(5.) Drain cock, up to ch. 384353		671985	(21a.) Return spring for brushes	(1 per car) NLA
192134	(6.) Plug, from ch. 384354		662115	(22.) Switch for fan, 12v	
95261	(7.) Rubber seal, heater unit to bulkhead		662115-B	(22.) Switch for fan, 12v	(2nd-hand)
955137	(8.) Screw	(10 per car)	658191	(23.) Handle	
95258	(9.) Speed nut	(10 per car) NLA	654442	(24.) Nut, under handle, B16/B18	
666797	(10.) Heater hose (short moulded)		192574	(25.) Defroster pipe, large (PAP hose) (R)	
668944	(11.) Heater hose (long moulded)		941425	(26.) Defroster pipe (150 mm lhs, 590 mm rhs)	
943053	(12.) Heater hose (unshaped, from valve)		661241	(27.) Defroster jet, lhs	
666797-1	<b>*Set with all 3 hoses, B16/B18</b>		661188-B	(28.) Defroster jet, rhs	(2nd-hand) Call
951789	(13.) Hose clamps (blue painted housings)		668572M	(29.) Heater duct, to passenger side (B18)	
951789-1	<b>*Set with all 6 heater hose clamps</b>			(supplied <u>less</u> plastic end piece - re-use)	
95180	(14.) Heater core	(544/210, B16/B18)	658243	(30.) Control cable, to heater valve	Call
659852	(15.) Seal around pipe inlet/outlet, upper		658945	(31.) Control cable, to shutter	
659073	(16.) Seal under heater core		95223 (B)	(32.) Housing, front (2nd-hand)	Call
660527	Swedish text for heater control		95229 (B)	(33.) Housing, rear (2nd-hand)	Call
660528	English text for heater control		661538 (B)	(34.) Housing, inner (2nd-hand)	Call
666344-B	(17.) Air intake, 2nd-hand plastic slightly cracked	Call	661070 (B)	(35.) Junction pipe (2nd-hand)	Call
666344-R	(17.) Air intake, re-manufactured in metal (B18)	Call	660673	(36.) Heater control unit (with chrome housing)	
192576-1	(18.) Hose, between intake & heater core				
	(Old part number was 95410)		668884 (B)	Heater system (all parts are 2nd-hand)	
418628	(19.) Water return pipe, B18 ('61-'66)	Use 419331		(includes posn. nos. 14, 27, 28, 30, 32-36)	
419331	(19.) Water return pipe				



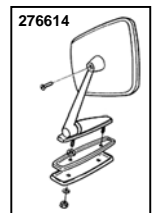
1001	B16B Air filter sticker	
1002	B16 Charging regulator, 6 volt	
1003	B16 Ignition coil, 6 volt	
1004	B16 Charging regulator, 6 volt (large type)	
1005	B16 Valve cover	(B16A)
1006	B18D Air filter sticker 1961-1966	(AC)
1008	B18 Charging regulator (Bosch 12v)	
1009	B18 Ignition coil (yellow, 1961-1966)	
1011		
1012	B18 Ignition coil (white, '67-'68)	
1013	B18 Radiator sticker	
1017	TUDOR Safety Sweden	(old batteries)
678127	Reflector sticker on door edge	
1020	"A Product of Superb Swedish Engineering" (for rear window)	
1021	H sticker, for "högertrafik", when Sweden changed over in '67	
1022	Volvo Rally European Champion 1963 & 1964	
660527	Heater control, red, Swedish text (on dashboard)	
660528	Heater control, red, English text (on dashboard)	

SPARE PARTS CATALOGUES (VOLVO)

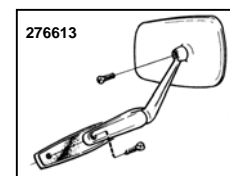
212112	Volvo Spare Parts catalogue, Volvo PV 544 B16
212115	Volvo Spare Parts catalogue, Volvo PV 544 B18 & Volvo P210 Duett B18
2008	Volvo fast moving parts catalogue for Amazon, PV/Duett, 140/160 1971

Door and Wing MirrorsCopyright  
CVI Automotive

276614  
(formerly 281497) Door mirror (original fitting/option 1968-'70), arm attached to front of base, with threaded studs through door panel



276613  
(formerly 276614) Door mirror (first offered 1973) with arm fixed to rear of base, blue-tinted flat glass (mounted with screws from outside)



277521 (RP)	Wing mirror with round head	flat glass
277521 (RK)	Wing mirror with round head	convex glass

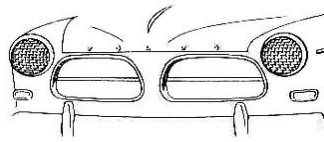


CVI-619F	Cone-shaped racing mirror (chromed)	flat glass
CVI-619C	Cone-shaped racing mirror (chromed)	convex glass

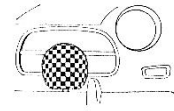
Copyright  
CVI Automotive

CVI-LID Chromed peaked caps, above h/lamps

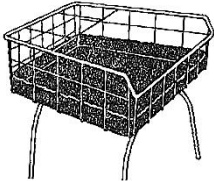
Copyright  
CVI Automotive



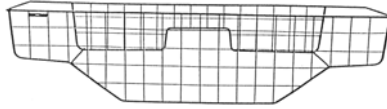
Headlamp stone guard kit  
277328 (R) NLA



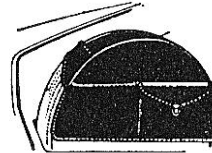
Covers for spot & fog lamps:  
281056 123 GT (Volvo logo)  
281070 Marchal logo NLA



277173 Wire basket for propshaft tunnel



277151 Luggage compartment container



Spare wheel covers:  
279731 Textile reinforced plastic with pocket & Volvo logo



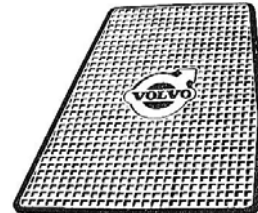
Black 279731-1  
Red 279731-2  
Blue 279731-3  
Green 279731-4  
Brown 279731-5



Accessory floor mat sets (rubber or sisal).

See earlier/Call

Copyright  
CVI Automotive



CVI-LPV1 Lokari wheel arch protectors, front, with fitting kit NLA

CVI-LPV2 Lokari wheel arch protectors, rear, with fitting kit NLA



Copyright  
CVI Automotive

Hubpuller, for removal of rear brake drum

9991791R



210080 Jack (PV)

Copyright  
CVI Automotive



277360 Filler cap (lockable) with Volvo logo



79772 Bedding kit, PV 444, PV 544 & PV 445



"With the bedding kit the car is quickly & easily transformed into a sleeping space. The seats come into line with each other which makes it like sleeping on a coil-sprung mattress".

(Quote from Volvo's accessory brochure - early 1960s.)



79772 PV 444, PV 544 och PV 445

Dear Customer

We at CVI hope that you will find (and continue to find) this catalogue a great help in assisting in the restoration or ongoing maintenance of your Volvo. Our aim is to enable you to identify the parts you want as easily as possible. This will not only help you to acquire the parts you want but will also help us to pick and pack the correct parts.

We have now set up a webshop to enable you to place orders in as easy a manner as possible. Please remember that it helps both you and us if you always use the same e-mail address when you go to the check-out.

***Sending goods in return/Sending core units for rebuild***

In order for CVI to avoid having to pay Swedish import duties and VAT when goods are returned, or when sending us, say, SU carburettors for rebuild, it is **MOST IMPORTANT** to mark the package as follows:

1.) When returning goods:

**"Defective goods returned under warranty - no commercial value for Customs purposes"**

1.) When sending goods for re-build:

**"Goods sent for renovation/re-build and return - no duties or VAT applicable"**

**Please note: We reserve the right to alter prices without prior notice**

**[www.cvi-automotive.se](http://www.cvi-automotive.se)**