



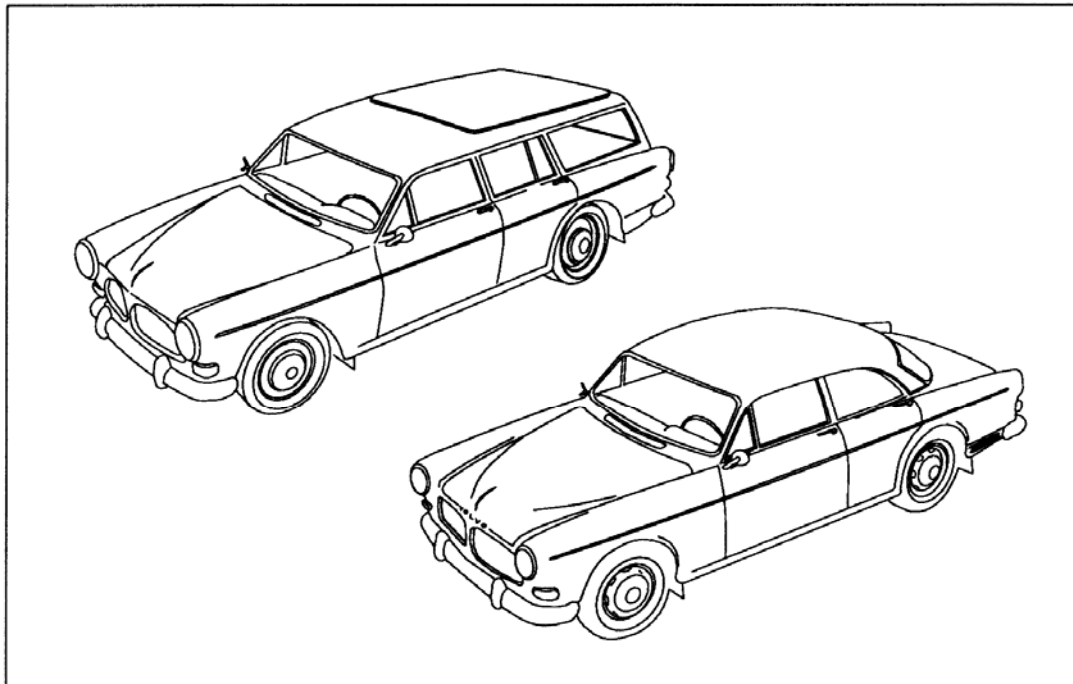
AUTOMOTIVE AB

Volvo PV444/544 P120 Amazon P1800 Specialists

CVI Automotive AB
Malnvägen 10
824 50 Hudiksvall
SWEDEN

Tel: (+46) 650 75900
Fax: (+46) 650 75901
Internet: www.cvi-automotive.se
e-mail: info@cvi-automotive.se

CATALOGUE *for genuine & remanufactured* VOLVO AMAZON (P120,130,220) SPARE PARTS



**ALL PRICES INCLUDE VAT. NON-EU CUSTOMERS DEDUCT 20% FROM PRICES STATED
VAT REG N° SE556617846201**

CVI AUTOMOTIVE AB
BANK: SVENSKA HANDELSBANKEN
BANKGIRO: 5044-5691
POSTGIRO: 6412737-6
ORG. N° 556617-8462

CATALOGUE DATE: August 2008

© 2003 CVI Automotive AB - issued on the agreement that no information contained herein may be reproduced in part or whole without the written consent of CVI Automotive AB.

2003 - Reservation for price changes 

CVI AUTOMOTIVE AB

PV 444/544, P120 AMAZON & P1800 SPECIALISTS

PO Box 131
MALNVÄGEN 10
824 23 HUDIKSVALL
SWEDEN

TEL: + 46 650 75900
FAX: + 46 650 75901

CATALOGUE OVER SPARE PARTS FOR VOLVO AMAZON P120 (4 dr), P130 (2 dr) & P220 (STATION WAGON)

- Parts are Volvo genuine (or from Volvo's genuine suppliers) if Volvo's part number is used
- "R" means that the item is remanufactured. "NLA" means no longer available
- "pc." means price per piece.
- "B" or "S/H" means that the item is used (not new): please call for further details
- "CH" means chassis number "LHD" means Left-hand drive: "RHD" means Right-hand drive

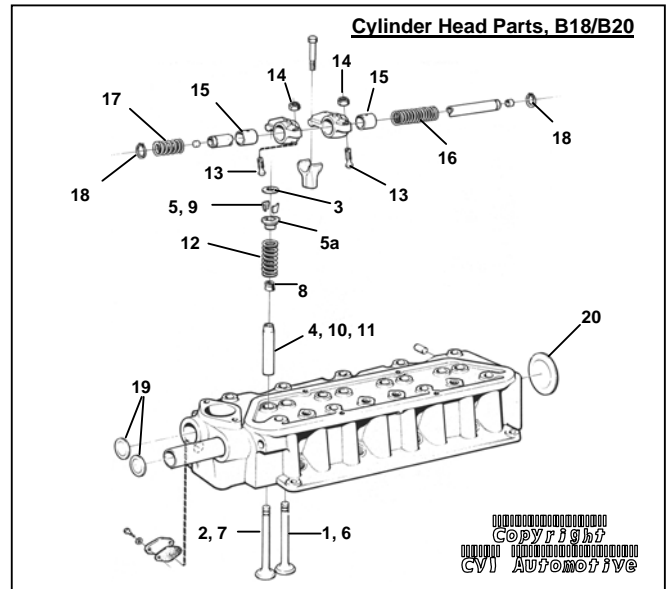
CONTENTS

Page 3:	Engine Parts, B16	Page 33:	Rear axle suspension (Sedan)
Page 4:	Engine Parts, B18 & B20	Page 34:	Rear axle suspension (P220 wagon)
Page 5:	Engine Parts, B18 & B20 (cont'd.)	Page 35:	Front suspension
Page 6:	Engine Parts, B18 & B20 (cont'd.)	Page 36:	Steering system
Page 7:	Fuel pumps and repair kits	Page 37:	Brake system (B16/B18) (Master cyls., Hand brake, Servos (boosters))
Page 8:	Zenith (single) carburettors: Air filters: Throttle linkage (B16A & B18A (up to 1966))	Page 38:	Brake system (B16/B18) (Wagner footbrake)
Page 9:	Stromberg carb (B18A (1967-1968): Air filters & throttle linkage	Page 39:	Brake system (later B18) (Girling footbrake) (Girling disc brakes front, drums rear)
Page 10:	Stromberg carb (B20A (1969-1970): Air filters & throttle linkage	Page 40:	Brake system (B18): brake pipes & hoses
Page 11:	SU carburettors (B16B engine): Throttle linkage: Choke control: Filters	Page 41:	Brake system (B18 dual-circuit 1968)
Page 12:	SU carburettors (B18B/D & B20B engines)	Page 42:	Brake system (B20): Master cyls. & Handbrake
Page 13:	Throttle linkage: Choke control: Filters	Page 43:	Brake system (B20): Footbrake system
Page 14:	Cooling system	Page 44:	Body panels: Mudflaps
Page 15:	Ignition system, B16 & B18/B20	Page 45:	Body panels (illustration)
Page 16:	Distributor parts for B18	Page 46:	Rubber seals: Badges
Page 17:	Distributor parts for B20	Page 47:	External trim
Page 18:	Exhaust system	Page 48:	Bumpers: Grilles: Hubcaps
Page 19:	Charging system	Page 49:	Dash padding: Floor, boot & accessory mats Firewall upholstery (bulkhead matting)
Page 20:	Wiring harnesses (complete), LHD and RHD cars	Page 50:	Door panels (P130 2-dr. cars) Rear side panel upholstery (2 -dr.) Headlinings (P130 2-dr.)
Page 21:	Electric cables & connector boxes: Fuse boxes/fuses: Instruments & gauges:	Page 51:	Door panels (P120 4-dr. cars) Headlinings (P120 4-dr.)
Page 22:	Switches/relays/cigar lighter Speedo cables: Bonnet opener cable	Page 52:	Door panels (P220 station wagon) Headlinings (P220 wagon)
Page 23:	Lighting, front (B16)	Page 53:	Seat covers, 1965-1970 Seat webbing
Page 24:	Lighting, front and rear (B18/B20)	Page 54:	Door components & guide channels:
Page 25:	Reflector on rear wing: Interior lighting: Bootlid handle, lens & lighting, P120/P130	Page 55:	Locks and lock sets: Misc. Door components
Page 26:	Windscreen wipers and washers	Page 56:	Door & wing mirrors: Windscreens/Side glass
Page 27:	Clutch: Clutch hydraulics (B16/B18): Clutch cable (B20)	Page 57:	Heater system
Page 28:	Gearbox (manual transmission)	Page 58:	Safety-belts: Decals (stickers) Literature: Spare Parts catalogues
Page 29:	Automatic transmission	Page 59:	Accessories
Page 29a:	Propshaft and Universal joints	Page 60:	How to order
Page 30:	Overdrive Parts, "D" type (B16/B18)		
Page 31:	Overdrive Parts, "J" type (B20)		
Page 32:	Rear axle bearings & seals: brake drums		

Remember: if the item you want is not mentioned in the catalogue then **WE DO NOT CARRY THAT ITEM!** Sorry, but you must search elsewhere.

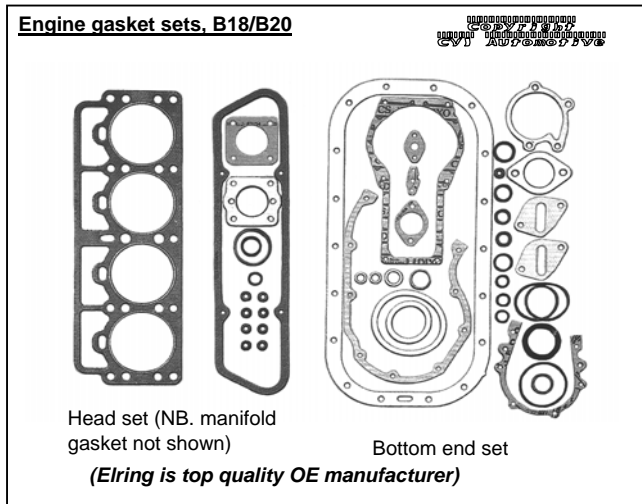
Valves, Guides and Springs, B18/B20

- Part #**
- 419368 (1.) Inlet valve, B18
 - 419292 (2.) Exhaust valve, B18
 - 419292-1 Engine valve set, B18 (4 inlet + 4 exh'st)**
 - 415424 (3.) Protector seal, above valves, B18
 - 415424-1 Protector seal set (8 pieces)**
 - 415266 (4.) Valve guide, B18 (inlet/exhaust)
 - 415035 (5.) Valve collet, B18 (2/valve)
 - 415273 (5a.) Lock washer, B18 (1/valve)
 - 419639 (6.) Inlet valve, B20 (42 mm std)
 - 419766 (6.) Inlet valve, B20 (44 mm)
 - 419640 (7.) Exhaust valve, B20 (35 mm std)
 - CVI-5406 (HD) (7.) Exhaust valve, B20 (37mm heavy duty)
 - 1306630 (8.) Valve stem seal, B20 valves (Ref 419702)
 - 8291532 Hardened valve seat, for lead-free conv'n.
 - 419643 (9.) Valve collet, B20 (2/valve)
 - 419652 (10.) Valve guide, B20, inlet
 - 419653 (11.) Valve guide, B20, exhaust
 - 418737 (12.) Valve spring, B18/B20 (genuine)
 - 418286 (13.) Tappet adjuster screw
 - 921781 (14.) Lock nut, tappet adjuster
 - 418297 (15.) Rocker arm bushing
 - 418426 (16.) Spring (3 per car)



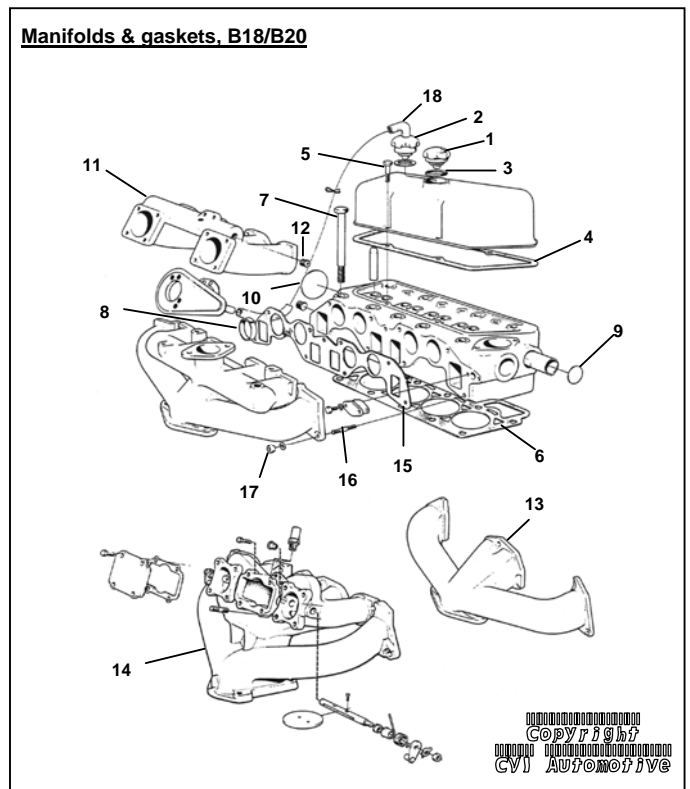
- 914456 (18.) Circlip
- 418717 (19.) Core plug (35 mm) (2/engine)
- 418718 (20.) Core plug (45 mm) (7/engine)

Engine gaskets and gasket sets



- 275439 Manifold gasket set, '61-'66
- 275480 Manifold gasket set, '67-'70
(These include manifold gasket + downpipe gasket)
- 275411 Head set, B18 (incl. manifold gasket) [Eling](#)
- 275535 Head set, B20A (incl. manifold gasket) [Eling](#)
- 275536 Head set, B20B (incl. manifold gasket) [Eling](#)
- 270628 Bottom end set, B18/B20 (genuine)
- 275411-628 Engine gasket set, B18 (complete) (genuine)**
- 275535-628 Engine gasket set, B20A (genuine)**
GaskB20A Engine gasket set, B20A (R)
- 275536-628 Engine gasket set, B20B (genuine)**
GaskB20B Engine gasket set, B20B (R)

- 403515 (1.) Oil filler cap, without vent (genuine)
- 418954 (2.) Oil filler cap, with vent (genuine)
- 940096 (3.) Seal, under cap (genuine)
- 419678 (4.) Rocker cover gasket (genuine)
- 950045 (5.) Screw for rocker cover (4/car)
- 418990 (6.) Cylinder head gasket, B18
- 460552 Cylinder head gasket, B20A (genuine)
- 460552-1 Cylinder head gasket, B20A (R)
- 419310 Cylinder head gasket, B20B (genuine)
- 419310-1 Cylinder head gasket, B20B (R)
- 419310-HD Cylinder head gasket, B20 (steel reinforced)
(use for bore up to 2.2 liter as well)
- 191523 (7.) Bolt for cylinder head (genuine)
- 191523-10 Cylinder head bolt set (10 pieces)**
- 418408 (8.) Guide sleeve
- 418717 (9.) Core plug (35 mm) 2/engine
- 418718 (10.) Core plug (45 mm) 7/engine
- 952075 (12.) Plug on manifold
- 418405 (13.) Exhaust manifold, B18B/D (single downpipe)
- 419561 (14.) Inlet and exhaust manifold, B20B
- 418870 (15.) Manifold gasket
- 953238 (16.) Manifold stud (38 mm)
- 953241 Manifold stud (45 mm)
- 953243 Manifold stud (50 mm)
- 955826 (17.) Nut for studs
- 460003 (18.) Hose, B18B/D '61-'66 (R)



Camshafts, Cam followers (lifters):

(Note: new cams should always be fitted with new followers - and vice versa)

- Part #**
 460490 (1.) Camshaft, type "A"
 1218579 (1.) Camshaft, type "C"

- 1218580 (1.) Camshaft, type "D"
 1218581 (1.) Camshaft, type "K"

- 910118 (2.) Woodruff key for camshaft
 418363 (3.) Spacer ring, behind camshaft
 150169 (4.) Camshaft nut
 419681 (5.) Thrust flange behind cam gear (bronze)

- 1218630 (6.) Cam follower (Ref 418423)

NB! Warranty for cams and followers is only given when both items are purchased - and fitted - at the same time!

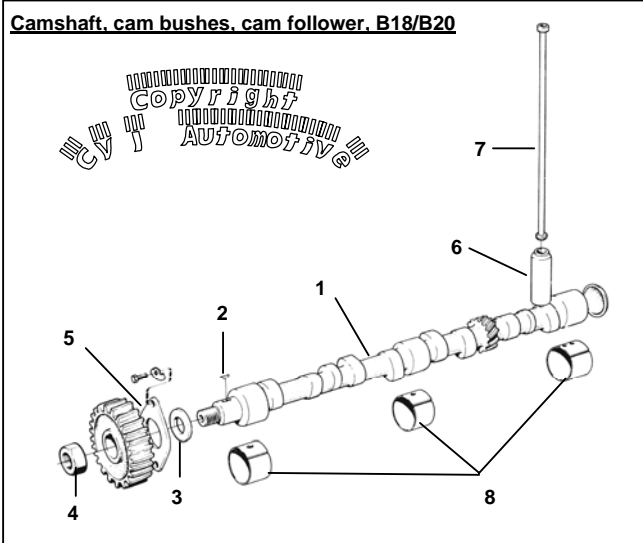
- 418304 (7.) Pushrod (heavy-duty)

- 430119 }
 418249 } (8.) now 430119-1 Camshaft bearing set, std sizes
 418250 }

Camshaft Kits (include cam & 8 followers + assembly grease):

- 275761 Camshaft kit, type "A"
 275762 Camshaft kit, type "C"
 275763 Camshaft kit, type "D"
 275764 Camshaft kit, type "K"

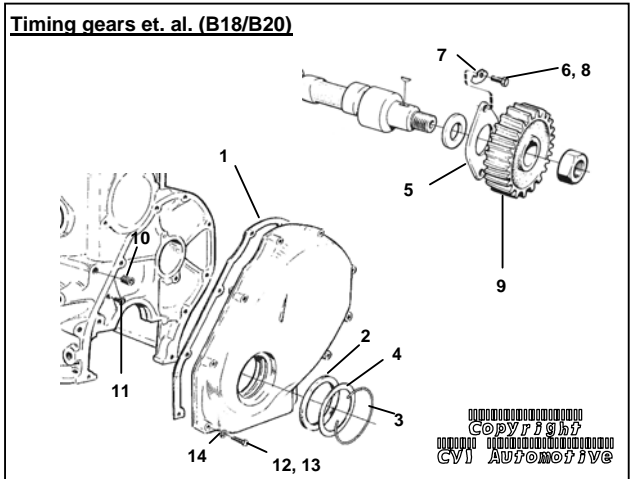
Camshaft, cam bushes, cam follower, B18/B20



Timing gears, ancillaries and gear sets:

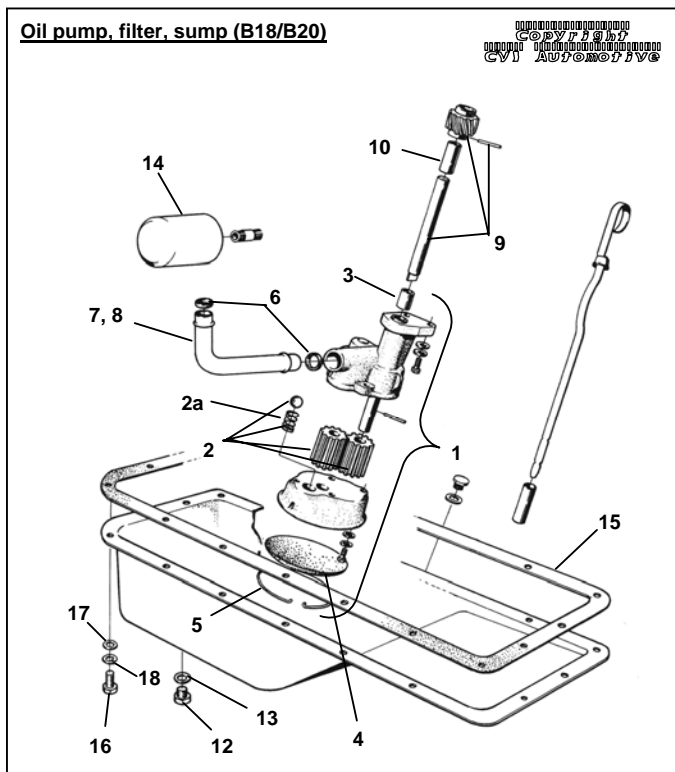
- Part #**
 418272 (1.) Timing cover gasket (extra thick)
 418622 (2.) Felt seal, in timing cover
 418624 (3.) Circlip
 418626 (4.) Retainer ring
 419681 (5.) Thrust flange behind cam gear (genuine)
 955512 (6.) Screw, early type Use lock screw 943455
 418422 (7.) Lock washer, early type Use lock screw 943455
 943455 (8.) Lock screw for thrust flange (2/car)
 270690-9 (9.) Timing gear set (fiber) (genuine)
 270690R Timing gear set (fiber) (repro)
 271944 Timing gear set (steel) (genuine)
 271944R Timing gear set (steel) (repro)
 (NB. Crankshaft gear not shown in this illustration - see page 4)
 952075 (10.) Oilway plug
 418416 (11.) Oil feed nipple
 955514 (12.) Bolt for timing cover, 25 mm 2/car
 940158 (13.) Bolt for timing cover, 45 mm 7/car
 941906 (14.) Curved spring washer 9/car

Timing gears et. al. (B18/B20)

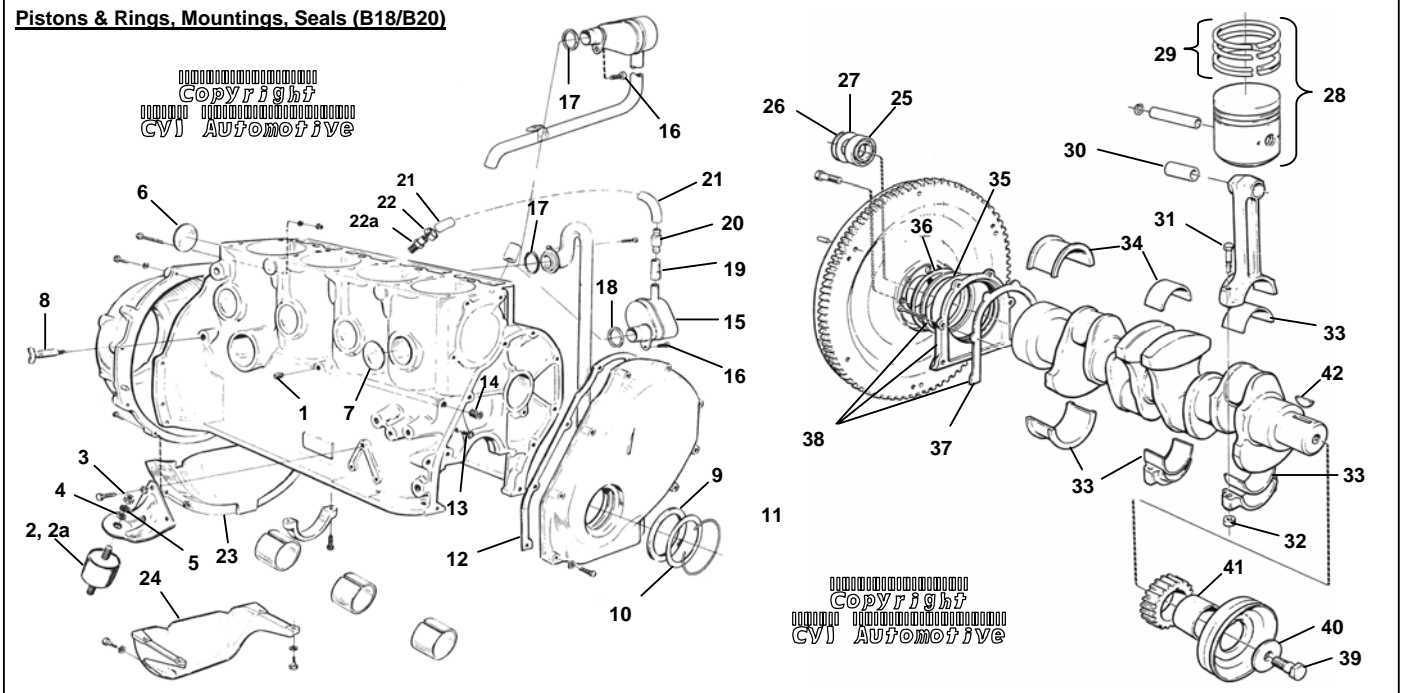


Oil Pump, Oil Filter, Sump Plug and Gasket:

Oil pump, filter, sump (B18/B20)



- 1218706 (1.) Oil pump, B20 (can fit B18 also)
 RV-510 (2.) Repair kit, for B20 type oil pump
 430161 (2a.) Return spring, oil pump
 18130 (3.) Bushing
 418288 (4.) Strainer for oil pump
 418289 (5.) Lock ring, for strainer
 418360 (6.) Rubber seal for oil delivery pipe
 418627 (7.) Oil delivery pipe, B18
 419539 (8.) Oil delivery pipe, B20
 418277 (9.) Distributor drive gear, with shaft
 418251 (10.) Bush for drive gear
 190798 (12.) Oil drain plug
 18818 (13.) Copper gasket
 948187 12+13 Oil drain plug with gasket (magnetic)
 1606877 Oil pressure sender (R)
 3517857 (14.) Oil filter (genuine)
 418432-1 (14.) Oil filter (Mann)
 418262 (15.) Sump gasket
 955523 (16.) Bolt for sump attachment (length = 16 mm)
 955524 (16.) Bolt for sump attachment (length = 19 mm)
 955894 (17.) Flat washer
 941907 (18.) Curved spring washer



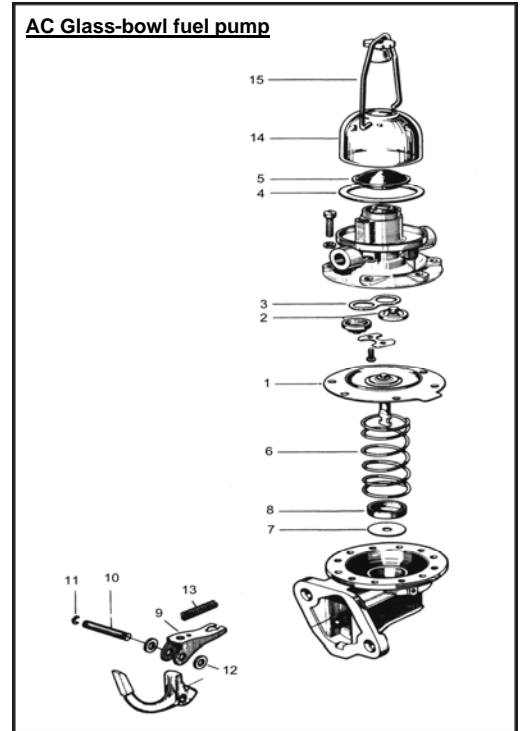
277016	Engine paint, red (250 ml can)	(R)	275193	(28.) Piston with rings, B18, std.	(Volvo/Mahle)
1606877	(1.) Oil pressure sender	(R)	275194	Piston with rings, B18 020"	(Volvo/Mahle)
			275195	Piston with rings, B18 030"	(Volvo/Mahle)
			275196	Piston with rings, B18 040"	(Volvo/Mahle)
	Engine (& gearbox) mountings				
653190	(2.) Engine & g/box mounting (std.)	(genuine)	275282	(29.) Piston ring set, B18, std.	
666890	(2a.) Engine mounting, GT/B20B	(genuine)	275283	Piston ring set, B18 020"	
			275284	Piston ring set, B18 030"	
940157	(3.) Nut for engine mounting		275285	Piston ring set, B18 040"	
955896	(4.) Washer		275286	Piston ring set, B18 050"	
940110	(5.) Spring washer				
1221967	Gearbox mounting (cars with overdrive)	(R)	272002	(28.) Piston w. rings, B20, std.	(88,86-88,89 mm)
			272003	Piston w. rings, B20, std. 88,91	(Mahle)
418677	(6.) Core plug (42 mm)	1/engine	272012	Piston w. rings, B20 015"	(Mahle)
418718	(7.) Core plug (45 mm)	7/engine	272004	Piston w. rings, B20 030"	(Mahle)
			272005	Piston w. rings, B20 040"	(Mahle)
82745	(8.) Drain cock on engine block				
418622	(9.) Felt seal, front		275334	(29.) Piston ring set, B20, std.	(repl. 275306)
418626	(10.) Retainer ring		275314	Piston ring set, B20 015"	
418624	(11.) Lock ring		275336	Piston ring set, B20 030"	(repl. 275307)
418272	(12.) Gasket	(extra thick)			
				(Note. Pistons are sold in singles: ring sets are for 1 engine)	
418416	(13.) Oil feed nipple		418295	(30.) Small end bush	(standard size)
952075	(14.) Oilway plug		418465	(30.) Small end bush	(oversize)
418906	(15.) Breather (late B18, use ring 418412)		191410	(32.) Nut	
419808	(15.) Breather (B20, use ring 419805)				
955512	(16.) Screw		271051	(33.) Big end bearing set	(standard size)
			271052	Big end bearing set	(- 0.010")
418412	(17.) Sealing ring (early type di = 21)		271053	Big end bearing set	(- 0.020")
419805	(18.) Sealing ring (late B20 di = 26)		276665	Big end bearing set	(- 0.030")
			271003	Big end bearing set	(- 0.040")
419422	(19.) Hose		271214	(34.) Main end bearing set	(standard size)
418982	(20.) Valve		271215	Main end bearing set	(- 0.010")
			271216	Main end bearing set	(- 0.020")
943706	(21.) Hose, crankcase ventilation	(B18)	276701	Main end bearing set	(- 0.030")
942390	(21.) Hose, crankcase ventilation R	(B20)	271204	Main end bearing set	(- 0.040")
419446	T-piece (nipple) (not shown on illustration)		418621	(35.) Felt seal, rear (original old-style sealing)	
			418625	(36.) Retaining ring (original old-style sealing)	
942928	(22.) Clip		430134	(37.) Gasket for rear flange	(standard)
942461	(22a.) Nipple	(R)	430134-1	(37.) Gasket for rear flange	(thick)
11009	(25.) Gearbox input shaft support bearing		1218634 S	(38.) Crankshaft seal kit (37/38/38a)	oil seal type
191848	(26.) Lock ring			This kit converts felt seal to modern-style oil seal	
418663	(27.) Cover plate		430118	(38a.) Oil seal for modern style sealing	
WM10402	Workshop manual, engine B18A (genuine)		940111	(39.) Bolt for crankshaft pulley	
WM10115	Workshop manual, engine B18B/D (genuine)		191688	(40.) Washer	
			418264	(41.) Hub	
9992405	Puller, to remove crankshaft gear	(R)	910123	(42.) Woodruff key	

Tank, Filler Caps & Fuel hose to and from Pump

Part #	Description	Part #	Description
260020	Fuel tank, Amazon P120/P130	121520	Hose clamp for 13525
955138	Screw for tank fitting to body	653212	Filler neck rubber collar, sedan
954336	Screw union, fuel pipe to fuel tank	663841	Rubber seal, on P220 filler pipe
662152	Tank sender unit, sedan (12 v) (genuine)	662463	Filler cap (P120/P130 only, includes 16335)
662155	Tank sender unit, P220 station wagon	16335	Seal under filler cap (subject to stock)
89865	Seal for sender units	277360	Filler cap, lockable, w. Volvo logo (limited qty)
FK-001	Fitting kit, sender unit (seal + screws)	954305	Fuel pipe under car (sold in meters only)
9434626	Tank sealant (1 liter can)	954322	Union (cap) nut for metal fuel pipe
13525	Hose for filler, P220 (R) (14 cm)	419796	Fuel hose, before pump ('65-'70)
		419797	Fuel hose, pump to carburettor ('65-'70)

Fuel pump, with glass bowl, type AC (403269/234008), 1957-1964

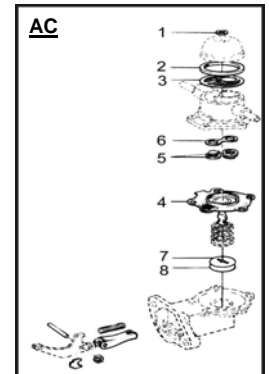
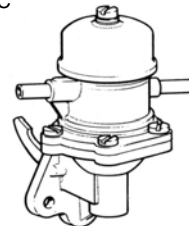
Part #	Description	Part #	Description
403269	Fuel pump (B16) (1957-61)	NLA	
234008B	Fuel pump (B18) (1961-64)	NLA	
CVI-AC1	Union, to use pump with <u>rubber</u> fuel hose		
61942	(1.) Diaphragm (genuine)		
73580	(2.) Valve (2 per pump)		
73582	(3.) Gasket under valve (double: 1 per pump)		
15517	(3.) Gasket, under valve (single: 2 per pump)		
18780	(4.) Gasket under glass bowl (cork type)	Use 190633	
190633	(4.) Gasket under glass bowl (rubber type)		
1378905	Flange gasket, against engine block (2/car)		
276223	Repair kit (nos. 1 - 4, 7, + 1378905 x 2)		
73537	(5.) Strainer	See 276224	
234002/3	(7/8.) Seal/retainer	See 276224	
61945	(9.) Lever	See 276224	
73529	(10.) Shaft	See 276224	
70498	(11.) Lock ring (2 per pump)	See 276224	
61947	(12.) Washer	See 276224	
61949	(13.) Spring	See 276224	
276224	Overhaul kit (276223 + above items)	NLA	
460678	Plastic spacer pump/engine (ref: 301002)		
73575	(14.) Glass bowl	NLA	
73539	(15.) Brace, for glass bowl		
64757	Fuel hose (braided), betw. pipe & pump (R)		
954343	Elbow union, B16A up to ch. 41159		
954336	Union (straight), B16A from ch. 42569-		
16218	Elbow union, B16B up to ch. 22568		



Fuel pump, type AC (419291), all in 1965:

Part #	Description	Part #	Description
	(1.) Fiber washer	See 276281	
419427	(2.) Seal under lid	See 276281	
419428	(3.) Strainer (NB. Not included in 276281)		
D-419291	(4.) Diaphragm	See 276281	
73580	(5.) Valve (2 per pump)		
15517	(6.) Gasket, under valve		
	(7/8.) Seal/washer, under spring	See 276281	
1378905	Flange gasket, against engine block (2/car)		
276281	Repair kit for 419291 (1, 2, 4-8)		

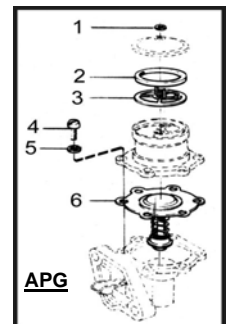
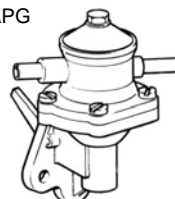
AC



Fuel pump, type Pierburg (418878, marked "APG"), 1966-1970:

Part #	Description	Part #	Description
15521	(1.) Fiber washer	See 276520	
418948	(2.) Gasket, under lid		
418946	(3.) Strainer (NB. Not included in 276520)		
956078	(4.) Screw		
955918	(5.) Spring washer		
D-418878	(6.) Diaphragm (with spring, seal, cup)	See 276520	
1378905	Flange gasket, against engine block (2/car)		
276520	Repair kit for 418878 (nos. 1, 2, 4, 5, 6)		

APG

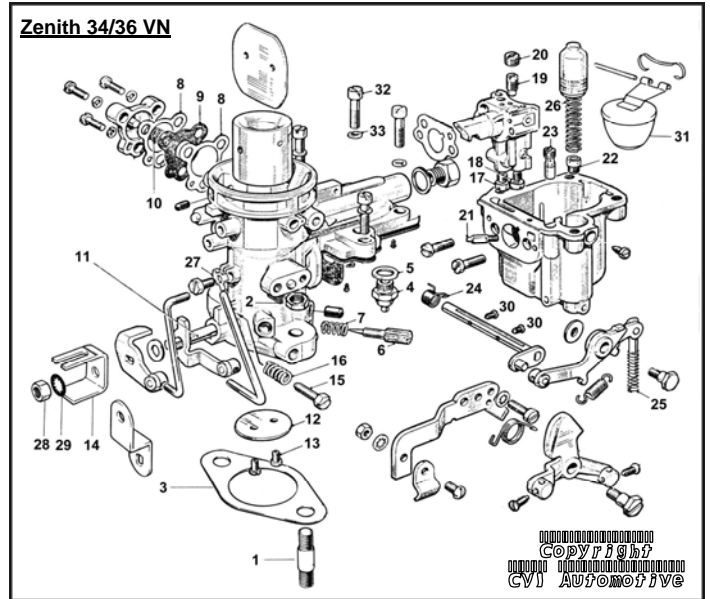


Fuel pump, current genuine for B18/B20 (Pierburg):

Part #	Description	Part #	Description
1336184	Fuel pump, B18/B20	419796	Fuel hose, in front of pump ('65-'70)
460678	Plastic spacer pump/engine (ref: 301002)		
1378905	Flange gasket, against engine block (2/car)	419797	Fuel hose, pump to carburettor ('65-'70)

Zenith 34 VN (B16A) & Zenith 36 VN (B18A) Carburettors:

Part #			
237027	Zenith 34 VN carburettor, 1957-1960	NLA	
237128	Zenith 36 VN carburettor, 1961-1966		
	<i>(NB. The above carbs. are <u>brand new</u> - not overhauled)</i>		
953237	(1.) Threaded stud, under carburettor		
955826	(2.) Nut		
403882	(3.) Gasket, under carburettor, B16A		
418549	(3.) Gasket, under carburettor, B18A		
275418	Gasket set	(genuine)	
237382	(4/5.) Needle valve and seat	(genuine)	
71955	(6.) Mixture screw	(genuine)	
71956	(7.) Spring for mixture screw	(genuine)	
237058	8/9/10 Economy diaphragm kit	(genuine)	
CVI-ZSK 1	Service kit (genuine parts)	(genuine)	
71921	(11.) Throttle spindle, 34 & 36 VN	(genuine)	
71922	(12.) Throttle disc, 34 VN	(genuine)	
237152	(12.) Throttle disc, 36 VN	(genuine)	
71683	(13.) Screw, disc to spindle	(2 per carb)	
CVI-002/003	Bushes for throttle spindle	in kit	
276290	Throttle spindle kit, B18A	(genuine)	
656695	(14.) Lever (late B16, all B18)		
71715	(15.) Throttle stop screw		
71716	(16.) Spring, for throttle stop screw		
237023	(31.) Float, 34 & 36 VN		
71951	32/33. Screw/washer, for float chamber (4/carb.)		

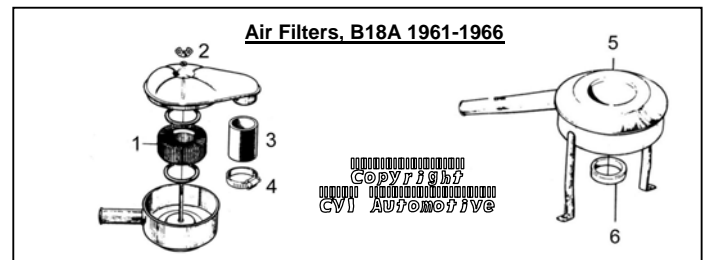


(NB! Overhaul kits include the following: all gaskets plus items numbered 3-29, + bushes and welch plug for throttle spindle but without item no. 14 in B16 set)

276286-289	Overhaul kit, 34 VN	(genuine)
276286-290K	Overhaul kit, 36 VN	(genuine)

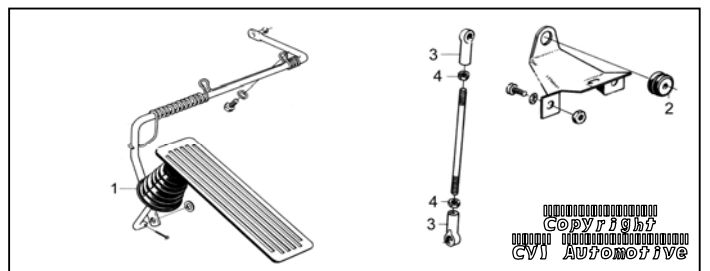
Air filter for B18A (1961-1966)

73607	(1.) Filter element (AC filter 73603, early B18A)
956903	(2.) Wing nut for filter lid
952982	(3.) Connecting hose (fits oilbath filter also)
951798	(4.) Hose clamp 2/car
669893	(5.) Air filter (B18A later ("frying pan") type)
656871	(6.) Rubber collar under filter (even B16A)



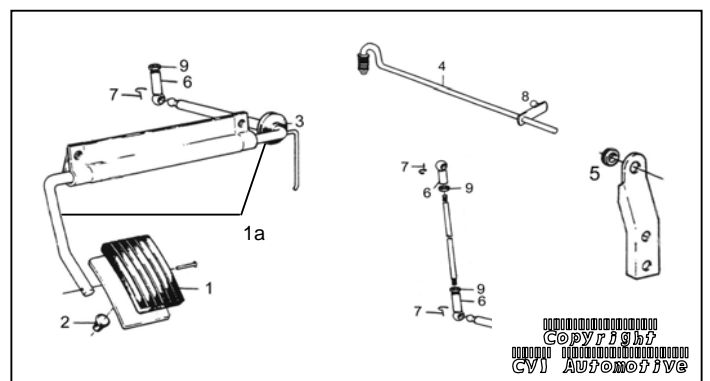
Throttle Linkage, B16A

653218	(1.) Dust cover (to engine bay), to ch. 20999
659802	(1.) Dust cover, from ch. 21000-
658660	(2.) Bush for mainshaft
959088	(3.) Ball-joint (with ball & brace)
955780	(4.) Nut



Throttle Linkage, B18A (up to 1966)

662737	(1a.) Pedal shaft (LHD cars only)
660533	(1.) Pedal rubber
81803	(2.) Rubber cushion, under pedal
663052	(3.) Seal, to engine compartment
661963	(4.) Mainshaft
656695	Lever, on carburettor (see no. 14 above)
666143	(5.) Bush for mainshaft
955512	Screw for bracket
959088	(6.) Ball-joint, rh thread (with ball & lock brace)
959093	(7.) Locking brace
959094	(8.) Ball (with nut) Included on 959088
955780	(9.) Nut, under ball-joint



237243 Stromberg 175 CD2S (B18A, '67-'68) (R) NLA

- 820355 (1.) O-ring
- 820356 (2.) O-ring
- 820338 (3.) O-ring
- 275489 Gasket, lock washer & O-ring set**

- 237252 (4.) Needle
- 237290 (5.) Jet

- 237666 (6.) Diaphragm (hydrin based) (genuine)
- 237385-1 Diaphragm (nitrile based) (R)

- 237382 (7/8.) Needle valve (with washer 237311)
- 820352 (9.) Screw (with lock washer) vacuum chamber lid

CDSK 1 Service kit (genuine parts incl. needle)

- 237268 (10.) Throttle spindle
- 237272 (11.) Throttle disc
- 237273 (12.) Screw, disc to spindle
- CVI-001 Bushes, for throttle spindle in carb. body In kit

275489-298 Overhaul kit (gen. parts incl. needle)

- 237286 (13.) Throttle stop screw
- 820344 (14.) Spring, for throttle stop screw

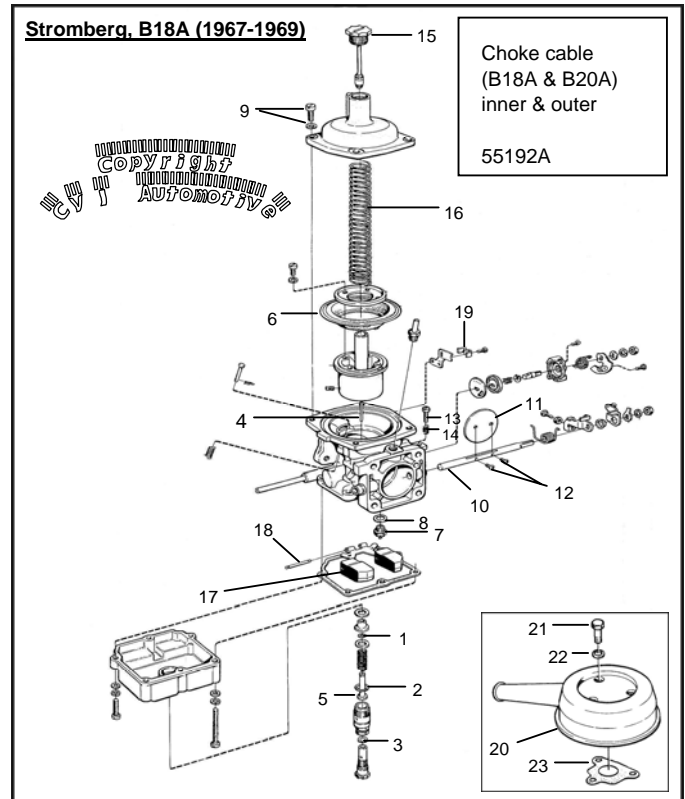
- 237347 (15.) Dashpot lid (damper)
- 237263 (16.) Piston return spring

- 237292 (17.) Float
- 237293 (18.) Float pin

- 237284 (19.) Clamp for (outer) choke cable

- 419578 Heat shield, under carburettor
- 418754 Gasket (heat shield/manifold/carburettor)

- 953237 Threaded stud, under carb.
- 955826 Nut



- 679261 (20.) Air filter (with vent pipe)
- 679260 (20.) Air filter (without vent pipe)
- 955531 (21.) Bolt
- 941907 (22.) Washer
- 680642 (23.) Gasket, filter/carburettor

Throttle linkage, B18A, 1967-'68:
(not yet illustrated)

- 662737 Pedal shaft (LHD cars only)
- 663052 Rubber grommet through bulkhead
- 660533 Gas pedal rubber
- 666143 Bush for mainshaft
- 907824 Split pin
- 959088 Ball-joint, rh thread (with ball & lock brace)
- 955780 Nut, on shaft under ball-joint, rh thread
- 942837 Ball-joint, lh thread (with ball & lock brace)
- 942836 Nut, under ball-joint, lh thread
- 959093 Lock brace for ball-joints
- 419335 Bracket
- 955512 Screw for bracket
- 950045 Screw (Philips head) for bracket
- 955920 Spring washer
- 955893 Washer

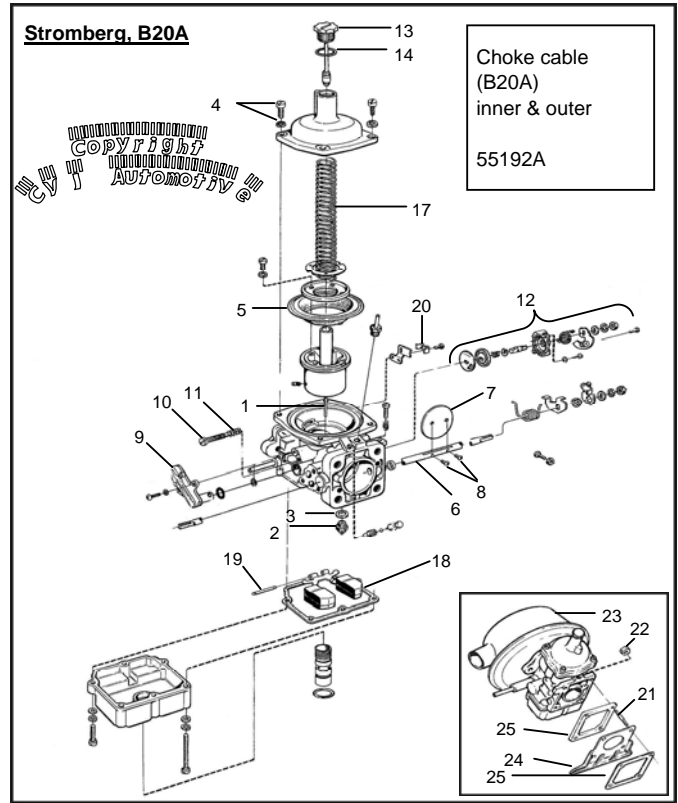
Choke control, B18A, 1967-'68:

- 55192 Choke cable, inner
- 88783 Choke cable, outer spiral
- 55192A Choke cable, inner & outer, single carb.**
- 654507 Rubber grommet, cable through bulkhead

B20A Carburettor, 1969-1970

(237345 = 1969, 237436 came 1970 & replaced 237345)

- 237631 Stromberg 175 CD2SE (replaces 237345/436)
- 276295 Gasket and lock washer set (ref: 271474)
- 237346 (1.) Needle (up to ch. 333999, 1969)
- 237441 (1.) Needle (from ch. 334000, 1970)
- 237572 Jet (not on diagram)
- 237382 (2/3.) Needle valve (with washer 237311)
- 820352 (4.) Screw & lock washer, vacuum chamber lid
- 237666 (5.) Diaphragm, genuine (hydrin bas 237666)
- 237385-1 Diaphragm, repro (nitrile based)
- 276295-1 Service kit (gen. parts: needle excluded)**
- 237395 (6.) Throttle spindle
- 237272 (7.) Throttle disc
- 71693 (8.) Screw, disc to spindle
- CVI-001 Bushes, throttle spindle in carburettor body in kits
- 276295-299-1 Overhaul kit (gen. parts: plus needle for 1969)**
- 276295-299-2 Overhaul kit (gen. parts: plus needle for 1970)**
- 237470 (9.) Temperature compensator
- 237573-74 Lid (with screws), for temp. compensator
- 237380 (10.) Adjuster screw, by temp. compensator
- 237381 (11.) Spring, for adjuster screw
- 237420 (12.) Starter assembly
- 237473 (13.) Dashpot lid (damper)
- 237427 (14.) Gasket
- 237286 (15.) Throttle stop screw
- 237469 (16.) Spring, for throttle stop screw
- 237358 (17.) Piston return spring
- 237292 (18.) Float
- 237293 (19.) Float pin
- 237284 (20.) Clamp for (outer) choke cable
- 953237 (21.) Pin stud, under carburettor
- 955826 (22.) Nut



- 1277775 (23.) Air filter, B20A (current gen., w. renewable insert)
- 1277747 Insert (genuine), filter above (+ filter 460406)
- 680642 Gasket, filter/carburettor
- 419744 (24.) Heat shield
- 418754 (25.) Gasket (heat shield/manifold/carburettor)
- 419888 (26.) Insulator washer
- 684042 Shutter housing (with thermostat)
- 944405 Pre-heater hose
- 419704 Pre-heating plate (on exhaust downpipe)
- 419712 Clamp for above
- 955825 Nut

NLA

Throttle linkage, B20A, 1969-'70:

(not yet illustrated)

- 662737 Pedal shaft (LHD cars only)
- 663052 Rubber grommet through bulkhead
- 666143 Bush for mainshaft
- 959088 Ball-joint, rh thread (with ball & lock brace)
- 955780 Nut, on shaft under ball-joint, rh thread
- 942837 Ball-joint, lh thread (with ball & lock brace)
- 942836 Nut, under ball-joint, lh thread
- 959093 Lock brace for ball-joints

- 237069-70 SU H4 carburetors, B16B
- 237009 (1.) Needle (standard filter)
- 237050 (1.) Needle (oilbath filter)
- 237010 (2.) Piston lock screw
- 71820 (3.) Jet
- 71841 (4.) Needle valve and seat
- 16347 (5.) Gasket under float chamber lid
- 275420 Gasket set, for 2 carburetors
- 275420+ Service kit (above items), for 2 carbs.**

- 237014 (6.) Throttle disc
- 237012/13 (7.) Throttle spindle (front and rear)
- 71849 (8.) Screw, disc to spindle
- 276291 Throttle spindle kit, 2 carbs. (6, 7, 8 + bushes)
- 276217 Overhaul kit (for both carbs, with needles)**

- 71850 (9.) Return spring on throttle spindle
- 71851 (10.) Anchor plate
- 71852 (11.) Retainer

- 71826 (12.) Jet bearing (upper)
- 18846 (13.) Copper gasket (above jet)
- 71828 (14.) Cork gasket (2/filter)
- 71829 (15.) Washer (2/filter)

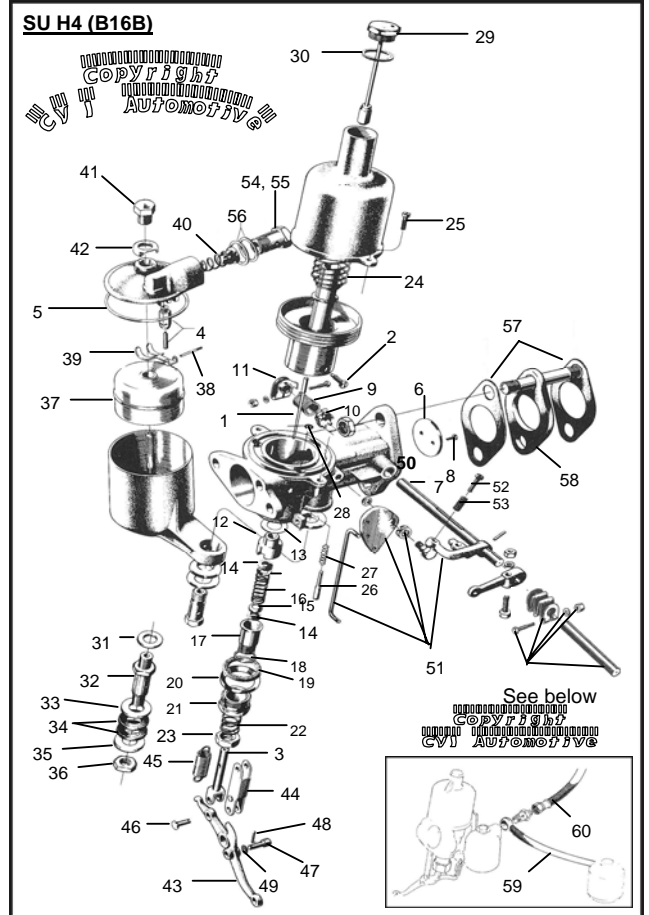
- 71830 (16.) Spring
- 71827 (17.) Jet bearing (lower)
- 18847 (18.) Copper gasket, under lower bearing
- 71824 (19.) Cork gasket
- 71825 (20.) Ring
- 71821 (21.) Lock nut, for jet
- 71823 (22.) Spring
- 71822 (23.) Adjuster nut

CVI-1593 Jet bearing kit for 2 carbs (12-23 above)

- 71816 (24.) Piston return spring
- 14185 (25.) Screw, for vacuum chamber lid
- 237041-1 Lift pin kit, 1 carb. (with nos. 26/27/28.)
- 237008 (29.) Dashpot lid (brass)
- 190349 (30.) Gasket, under lid

- 276404 (31-36) Fitting kit, for float chamber
- 71840 (37.) Float
- 131016 (38.) Pin
- 71842-2 (39.) Lever, above float (later stainless type)
- 71843 (40.) Filter (with spring), float chamber inlet
- 150182 (41.) Nut for float chamber lid (polished brass)
- 237062 (42.) Protector washer, under nut

- 71831 (43.) Lever (brass), under carburettor
- 71832 (44.) Link
- 71833 (45.) Return spring
- 14507 (46.) Cotter pin bolt (3/carb)
- 71834 (47.) Cotter pin bolt (1 on rear carb.)
- 907812 (48.) Cotter pin
- 237054 (49.) Star washer (d = 3/16")
- 237053 (49.) Star washer (d = 1/8")



- 950364 (50.) Nut (carburettor to manifold)
- 237011/7185 (51.) Cam kit, rear carburettor
- 71855 (52.) Idle screw
- 71856 (53.) Spring
- 180332 (54.) Banjo bolt, front
- 180333 (55.) Banjo bolt, rear
- 191228 (56.) Fiber washer
- 418053 (57.) Gasket, manifold/insulating flange
- 418052 (58.) Insulating flange
- 652136 (59.) Fuel hose (between carburetors)
- 661882 (60.) Fuel hose (from fuel pump)

Air filter (see illustration on page 13)

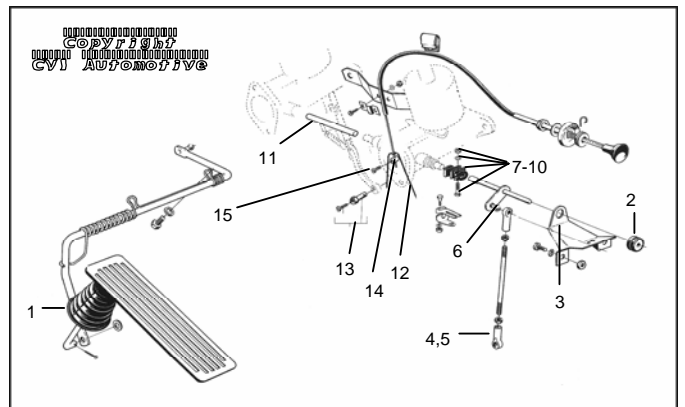
- 660447 Air filter (LHD cars)
- 658496 Air filter (RHD cars)
- 403919 Gasket, between filter & carburettor
- 1001 Decal (sticker), for 660447 filter

Throttle and choke linkage, B16B:

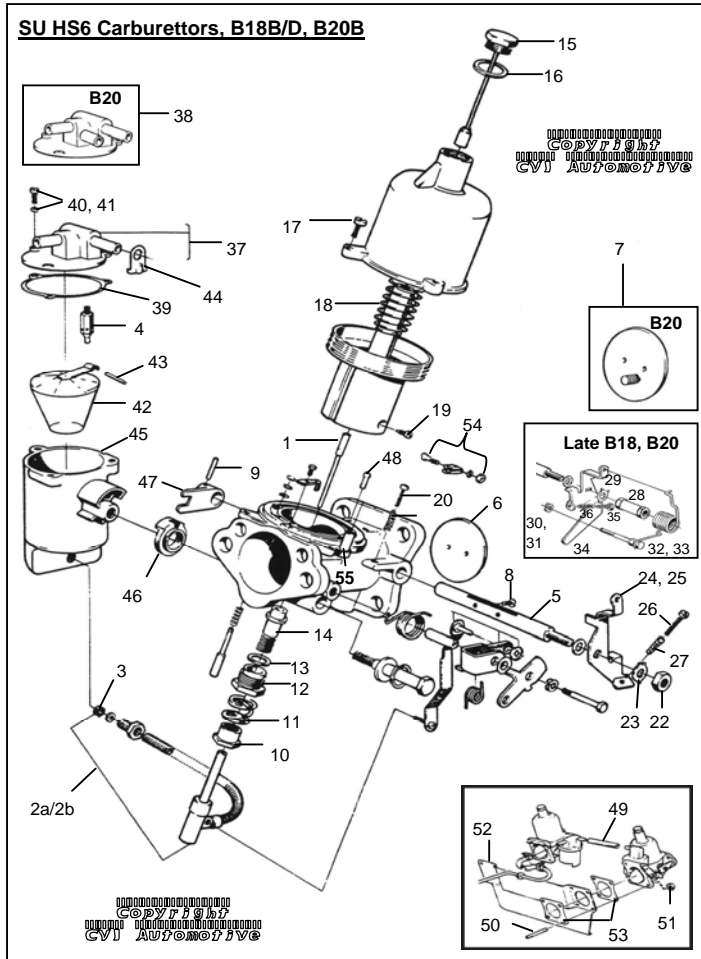
- 653218 (1.) Dust excluder (to engine bay), to ch. 20999
- 659802 (1.) Dust excluder, from ch. 21000-
- 658660 (2.) Bush for mainshaft
- 663293 (3.) Anchorage bracket
- 959088 Ball-joint/ball/brace (4/5/6.)

- 71676 (7.) Coupling, between carbs
- 106837 (8.) Bolt
- 150183 (9.) Nut
- 120006 (10.) Washer
- 71910 (11.) Intermediate shaft
- 71676-1 Coupling kit (items 7-10)**

- 71678/79-1 (12.) Stirrup
- (13.) Link pin (complete) (2 pcs.)
- 21882 (14.) Retainer
- 14012 (15.) Screw

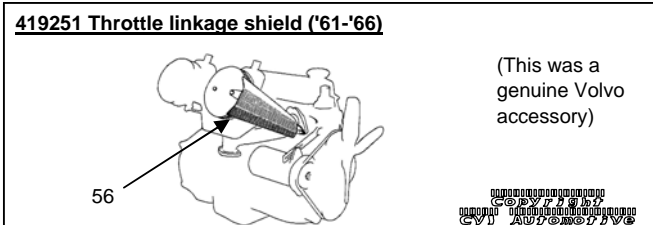


(More items available - please call)



- 237082 (10.) Mixture adjuster nut, B18 carburettor
- 71823 (11.) Spring
- 237083 (12.) Lock nut
- 237081 (13.) Washer
- 237080 (14.) Bearing
- CVI-1341 Jet bearing kit, B18 (nos. 10-14)**
- 237330 (10.) Mixture adjuster nut, B20 carburettor
- 71823 (11.) Spring
- 237083 (12.) Lock nut
- 237329 (13.) Washer, to ch no. 316356 Call
- 237328 (14.) Bearing, to ch no. 316356 Call
- 237423 (14.) Bearing, from ch no. 316357 on Call
- CVI-1442 Jet bearing kit, B20 (nos. 10-14)**
- 1129629 Dashpot oil (SU genuine: 125 ml bottle)
- 237144 (15.) Dashpot lid (damper)
- 190349 (16.) Gasket
- 237084 (17.) Screw, vacuum chamber lid
- 71816 (18.) Piston return spring
- 237105 (19.) Lock screw, for needle (B18)
- 237422 (19.) Lock screw, for needle (B20)
- 237085/71856 Adjuster screw/spring idle/choke (20/21.)
- 237113 (22.) Nut (B18)
- 237095 (23.) Lock washer
- 237110 (24.) Lever (front carb. B18)
- 237111 (24.) Lever (rear carb. B18)
- 237085/71856 Adjuster screw/spring idle/choke (26/27.)
- 237335 (28.) Nut (B20) Call
- 237095 (29.) Lock washer
- 237332 (30.) Lever (front carb. B20)
- 237333 (31.) Lever (rear carb. B20)
- 237336 (32.) Return spring, front carb. (B20)
- 237337 (33.) Return spring, rear carb. (B20)
- 237340 (34.) Screw
- 237356 (35.) Adjuster screw (idle/choke) Call
- 237357 (36.) Spring Call
- 237214/215 (37.) Float chamber lid/valve/float (front/rear), B18
- 237195/196 (38.) Float chamber lid/valve/float (front/rear), B20

- 237244-45 SU HS6 (B18D) ("ZH" needles)
- 237256-57 SU HS6 (B18B) (123 GT: "KD" needles)
- 237418-19 SU HS6 (B20B) ("KN" spring-loaded needles)
- 237244-45 (ER) Rebuilt carburetors, exchange (concours)
(Rebuilt carbs are either 2-bolt or 3-bolt filter type- state which)
- SU-GP 18 Gasket set, for 2 carburetors
- Needles - 122S 1961-1966:**
- 237145 (1.) Needle KA (B18D 90 bhp, paper filter)
- 237183 (1.) Needle KB (B18D 90 bhp, oilbath filter)
- 237221 (1.) Needle ZH (B18D 90 & 95 bhp, paper)
- 237149 (1.) Needle KE (B18D 95 bhp, oilbath filter)
- Needles - 122S 1967-1968:**
- 237267 (1.) Needle SM (B18D 100 bhp, paper filter)
- 237262 (1.) Needle KG (B18D 100 bhp, silencing filter)
- Needles - 123 GT 1967-1968, 122S 1969-1970:**
- 237248 (1.) Needle KD (B18B (GT) 115 bhp, paper filter)
- 237255 (1.) Needle KF (B18B (GT) 115 bhp, silencing f.)
- 237315 (1.) Needle DX (B18B (GT USA) 115 bhp, paper)
- 237353 (1.) Needle KN (B20B 1969-1970, spring loaded)
- 237186 (2a.) Jet assembly (front carb.)
- 237187 (2b.) Jet assembly (rear carb.)
- 237188 (3.) Rubber seal, on jet (included on jet ass'y.)
- 237192 (4.) Needle valve and seat
- 276278+ Service kit (2 carbs.) (excls. needles)**
(Gaskets, jets, needle valves for a pair of carbs.)
- 237877 (4.) Needle valve (with spring attachment)
(This is the needle valve Volvo currently offer)
- 237094 (5.) Throttle spindle
- 237109 (6.) Throttle flap (can be used even on B20B)
- 237424 (7.) Flap (B18B USA, B20B (overrun valve))
- 71849 (8.) Screw, flap to spii (2 per spindle)
- 907174 (9.) Lock pin
- 276292 Throttle spindle kit, w. bushes (for 2 carbs.)
- 276278/292 Overhaul kit, 2 carbs. (excls. needles)**
(Contains service kit above + throttle spindle parts: please add needles of choice)
- 237106 (39.) Gasket, under lid
- 14185 (40.) Screw, float chamber lid
- 955918 (41.) Spring washer
- 237457 (42.) Float (ref: 237216)
- 131016 (43.) Float pin
- 237131 (44.) Baffle
- 237086 (45.) Float chamber (same for both front & rear)
- 237087/88 (46.) Retainer (front/rear)
- 237098 (47.) Lever, on end of throttle spindle
- 237104 (48.) Nipple for vacuum advance pipe (B18)
- 419797-80 (49.) Hose, between carbs. (80 mm)
- 953236 (50.) Pin stud, on inlet manifold, B18D (8/car)
- 955826 (51.) Nut (for 953236)
- 418512 (52.) Heat shield, under carbs. (B18)
- 418754 (53.) Gasket, either side of shield '61-'70 (4/car)
- 237178 (54.) Clamp, outer choke spiral (to 1966)
- 237168 (55.) Ferrule, for choke cable
- 419452 Clamp for outer choke cable ('67-'70)
- 55192D Choke cable (inner + outer, complete)
- 418561 Retainer, choke cable to carb lever
- 950003 Screw for retainer, choke cable to carb lever
- SU 670 Tool kit, SU carbs (**mixture adjustment + needle valve removal tool**)
- 419251 (56.) Shield, throttle linkage, wintertime, -'66



CVI AUTOMOTIVE

Throttle Linkage & Choke control, B18B/D

- Part #**
 662737 (1a.) Pedal shaft (LHD cars only)
 660533 (1.) Pedal rubber
 81803 (2.) Rubber cushion, under pedal
 663052 (3.) Seal, to engine compartment

 662006 (4.) Mainshaft, 1961-1966
 671950 (4.) Mainshaft, 1967-1968

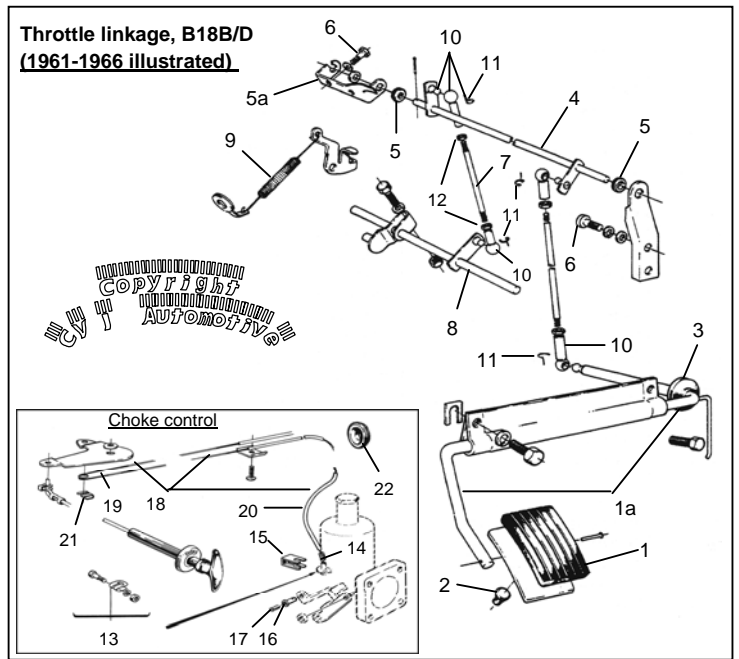
 666143 (5.) Bush for mainshaft

 418506 (5a.) Bracket ('61-'66)
 955512 (6.) Screw for bracket
 191203 (7.) Control rod
 418449 (8.) Intermediary shaft, '61-'66
 419575 (8.) Intermediary shaft, '67-'70
 418963 (9.) Throttle spring (2 per car) (genuine) NLA

 959088 (10.) Ball-joint (with ball & locking brace)
 959093 (11.) Locking brace
 955780 (12.) Nut, under ball-joint

 237178 (13.) Clamp, outer choke spiral (to 1966)
 237168 (14.) Ferrule, for choke cable (to 1966)
 419452 (15.) Clamp ('67-'70)
 418561 (16.) Retainer, choke cable to carb lever
 950003 (17.) Screw for retainer, choke cable to carb lever
 55192D (18.) Choke cable, twin carbs. (inner & outer)

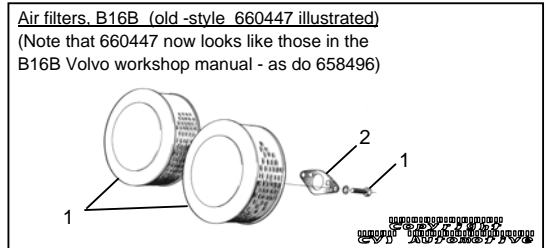
 55192 (19.) Inner choke cable
 88783 (20.) Outer spiral



- 94641 (21.) Lock washer
 654507 (22.) Rubber grommet, through bulkhead
 664425 Rubber grommet, LHD (holds cables togeth.)

AIR FILTERS, SU CARBURETTORS (B16B):

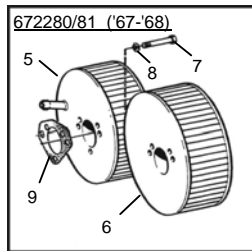
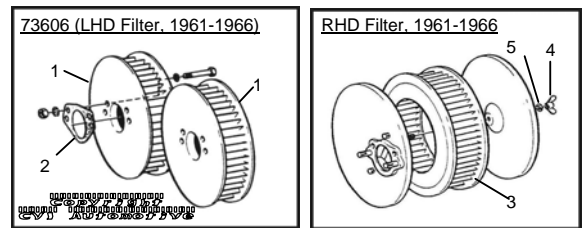
- Part #**
 660447 (1.) Air filter, B16B (LHD cars) (new bolts are included)
 658496 Air filter, B16B (RHD cars)
 403919 (2.) Gasket, between filter & carburettor



AIR FILTERS (PAPER TYPE), SU CARBURETTORS (B18/B20):

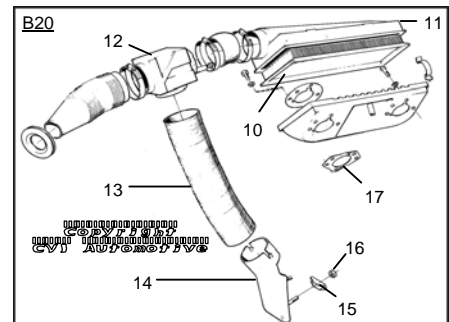
- Part #**
 73606 (1.) Air filter (Volvo blue, 1961-1966, LHD cars only)
 FK-73606 Fitting kit, for 2 filters (excludes gaskets)
 418447 (2.) Gasket
 1006 Decal/sticker (AC type) for filter 73606

 667583 (3.) Air filter insert (1961-1966, RHD cars only)
 192015 (4.) Butterfly nut for outer cover
 955920 (5.) Spring washer
 1007 Decal/sticker (Coopers) for RHD filters

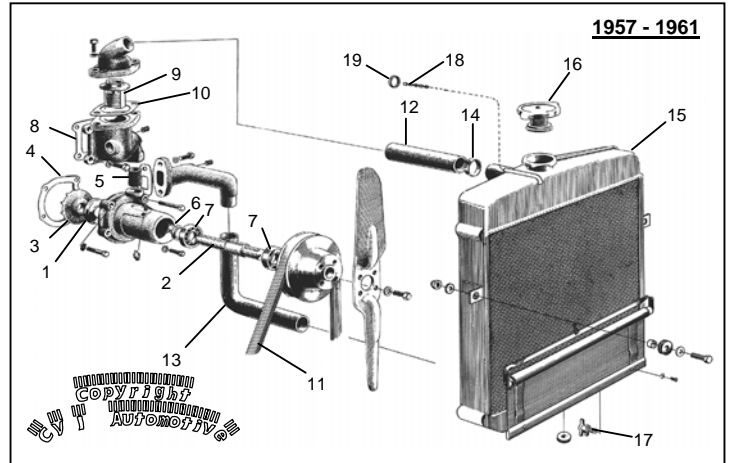


- Part #**
 672280 (5.) Air filter, front (Volvo blue) LHD & RHD cars
 672281 (6.) Air filter, rear (Volvo blue) LHD & RHD cars
 1010 Decal/sticker (AC type), for filters 672280/81
 955530 (7.) Bolt, for fitting of filter
 941907 (8.) Spring washer
 677607 (9.) Gasket

- Part #**
 679658 (10.) Filter insert (B20B), 1969-1970 (R)
 680743 (11.) Filter housing, upper part
 684042 (12.) Shutter housing, with thermostat
 944405 (13.) Pre-heater hose (as original)
 419704 (14.) Pre-heating plate, on exhaust downpipe
 419712 (15.) Clamp
 955825 (16.) Nut
 677607 (17.) Gasket NLA



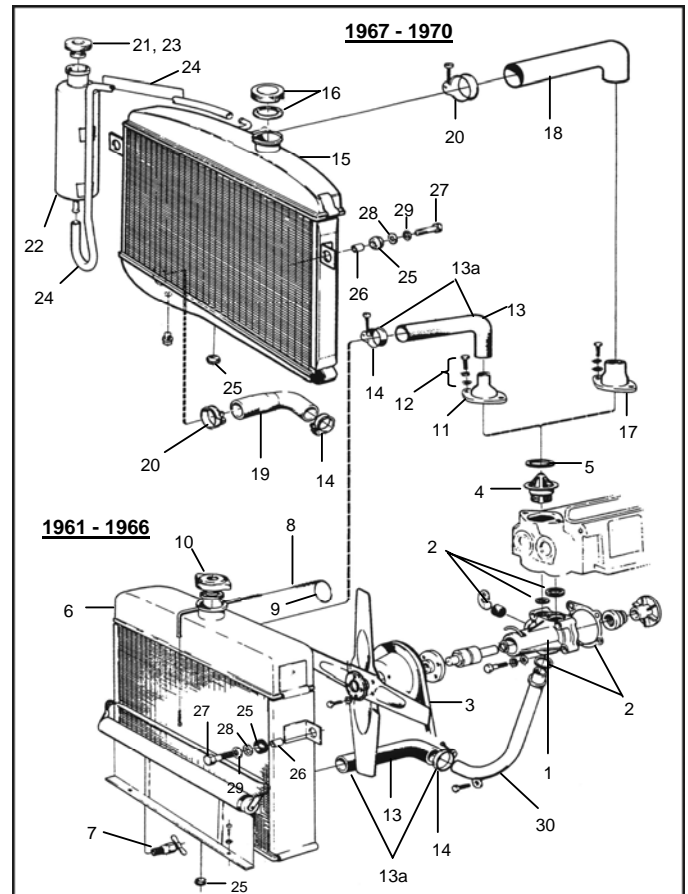
<u>Part #</u>		<u>Price</u>
418031	Water pump	(R)
412338	(1.) Seal (in water pump)	
403352	(2.) Shaft	
403853	(3.) Impeller	
403105	(4.) Gasket for water pump	
13911	(5.) Hose between pump and thermostat h'sng.	
70913	(6.) Thrower ring	
11136	(7.) Bearing	(R)
54609	Repair kit for waterpump (nos. 1-4, 6-7) 794	
403793	(8.) Gasket, lower thermostat housing	
659547	Seal ring, for heater pipe to water pump	
273163	(9.) Thermostat (Wahler, 80 degrees)	
403161	(10.) Gasket for thermostat	
951684	(11.) Fan belt	
660094	(12.) Radiator hose, upper	
660095	(13.) Radiator hose, lower	
951792	(14.) Hose clamp	
252056	(15.) Radiator	



87842	(16.) Radiator cap
87502	(17.) Drain cock
88495	(19.) Pull ring for chain

COOLING SYSTEM, B18/B20

271602	(1.) Water pump (with gasket and seals) R	
270664	(2.) Gasket set (B18/B20B)	
270665	(2.) Gasket set (B20A)	
976411	(3.) Fan belt (B18 LHD/RHD, (B20 LHD))	
419419	(3.) Fan belt (B20 RHD only)	
418496	(4.) Thermostat (77 degrees) (R)	
273342	(4.) Thermostat kit, <u>with seal</u> (82 deg. Wahler)	
418361	(5.) Rubber seal for thermostat	
<u>Radiator, 1961-1966:</u>		
252087	(6.) Radiator 1961-1966	
1013	Sticker (decal), for B18 radiator, '61-'66	
87502	(7.) Drain cock	
313705	(8.) Chain for radiator blind	Call
88495	(9.) Pull ring for chain	
87842	(10.) Radiator cap (current Volvo genuine)	
418325	(11.) Aluminium housing, for thermostat (-1966)	
FK-004	(12.) Fitting kit for aluminium housing	
663031	(13.) Radiator hose, -1966 (upper & lower)	
952659	(14.) Hose clamp ('61-'66 all, '67-'70 1 lower)	
273189	(13a.) Radiator hose kit (1 hose + 2 clamps), 2 per car	



<u>Radiator, 1967-1970:</u>		
252111	(15.) Radiator	
461646	(16.) Radiator cap (includes sticker (decal))	
1018	Decal/sticker for radiator cap	
419333	(17.) Aluminium housing, for thermostat (1967-1970)	
FK-004	(12.) Fitting kit for aluminium housing	
676556	(18.) Radiator hose, '67-'70 (upper)	
673196	(19.) Radiator hose, '67-'70 (lower)	
952659	(14.) Hose clamp ('61-'66 all, '67-'70 1 lower)	
952663	(20.) Hose clamp ('67-'70 2 upper + 1 lower)	
273190	18+20 Radiator hose kit, '67-'70 (upper) 1/car	
273191	14+19+20 Radiator hose kit, '67-'70 (lower) 1/car	
676558	Expansion tank (B18) (long neck) Use B20 type	
673336	(21.) Cap (B18, long neck) (Round with decal)	
686833	(22.) Expansion tank (B20) (short neck)	
673233	(23.) Cap (B20, short neck) (Round with decal)	
942700	(24.) Hose, expansion tank to radiator	
1019	Decal/sticker, for expansion tank cap	

Radiator fitting parts:

673989	(25.) Rubber bush	(3/radiator)
663497	(26.) Sleeve	(2/radiator)
940115	(27.) Bolt	(2/radiator)
960148	(28.) Washer	(2/radiator)
955950	(29.) Serrated washer	(2/radiator)

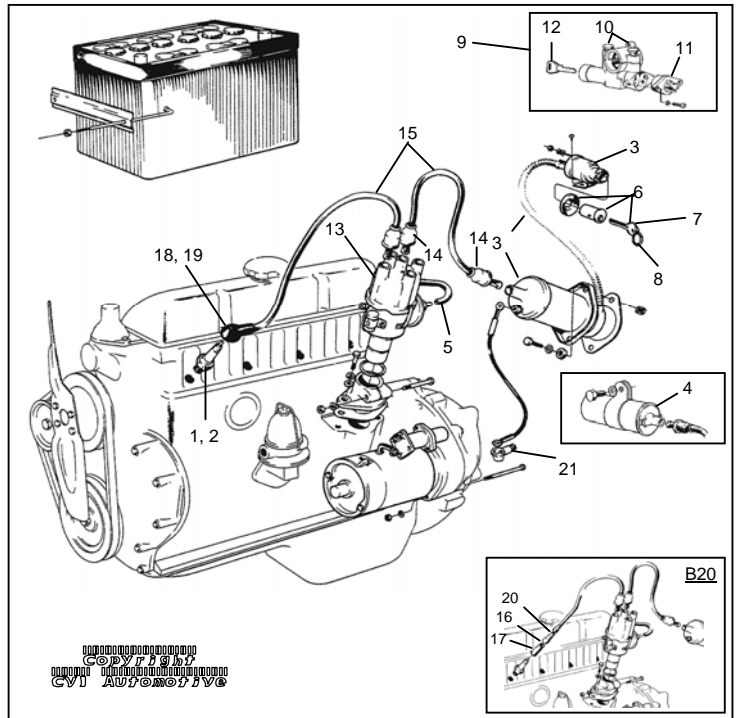
273064 Fitting kit for radiator, B18 1961 -1966 (contains above (except 24.) + 2 kits 273189)

418628	Water return pipe, up to 1966	Use 419331
419331	Water return pipe, B20	
418334	(30.) Water inlet pipe	

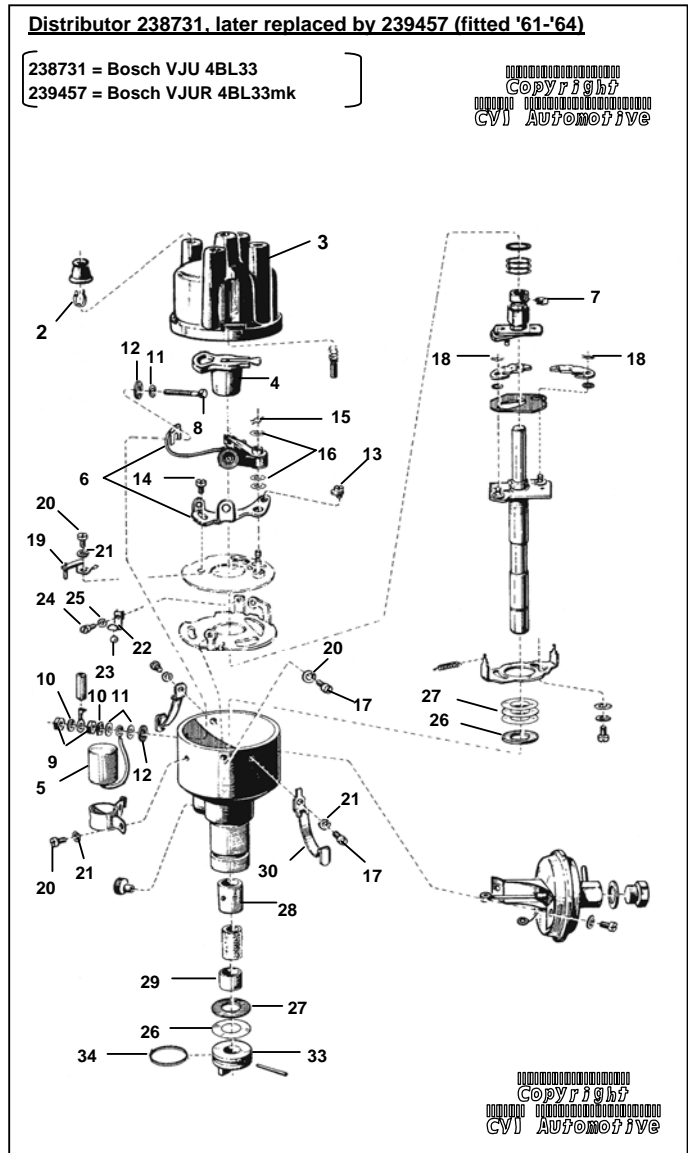
<u>Part #</u>		<u>Part #</u>	<u>Price</u>
50010410	Distributor B16 (breakerless)	233979	Spark plug, B16A
233263	Lower bush for original distributor	233188	Spark plug, B16B
233260	Distributor cap (now 870690)	275652	Ignition lead set, LHD (w/out bak. connector)
238258	Rotor arm (old 76977)	275660	Ignition lead set, LHD (w. bakelite connector)
77732	Condenser		
233910	Contact breaker points	673261	Ignition lock barrel (replaces earlier type)

IGNITION SYSTEM, VOLVO AMAZON B18/B20

<u>Part #</u>		
50010411	Distributor B18/B20 (breakerless)	
271412	(1.) Spark plug set, B18A, B20A (R)	
271411	(2.) Spark plug set, B18B/D, B20B (R)	
238960	(3.) Ignition coil (for LHD cars only)	
1009	Decal (sticker), B18 ignition coil (yellow)	
35254	(4.) Coil, B20 (RHD)	
976733	(5.) Hose for vacuum advance	
673261	(6.) Ignition lock barrel, with 2 keys ("Neiman")	
673339	(7.) Key blank, B18 (for "Neiman" locks)	
660140	(7.) Key blank for "Assa/Volvo" locks (<u>genuine</u>)	
88495	(8.) Key ring	
681934/684048	Steering & ignition lock, B20 (9.)	NLA
687109	(10.) Sheer-off screw	
241493	(11.) Starter contact base	
680196	(12.) Key blank, B20 (1969-1970)	
870690	(13.) Distributor cap (Bosch)	
241608	(14.) Rubber cover, ignition cables (B20)	Call
275660	(15.) Ignition lead set (fits B18 & B20) (supplied with straight connectors)	
241607	(16.) Rubber cover (black) at plug end (B20 type)	
241606	(17.) Rubber cover (red) at plug end (B20 type)	
241850 Brn	(18.) Plug cap (angled 90 degrees), brown	
241850 Sv	(19.) Plug cap (angled 90 degrees), black	
241605	(20.) Plug cap (resistor), straight (239240)	
418120	(21.) Cover on low tension lead (at distributor end)	

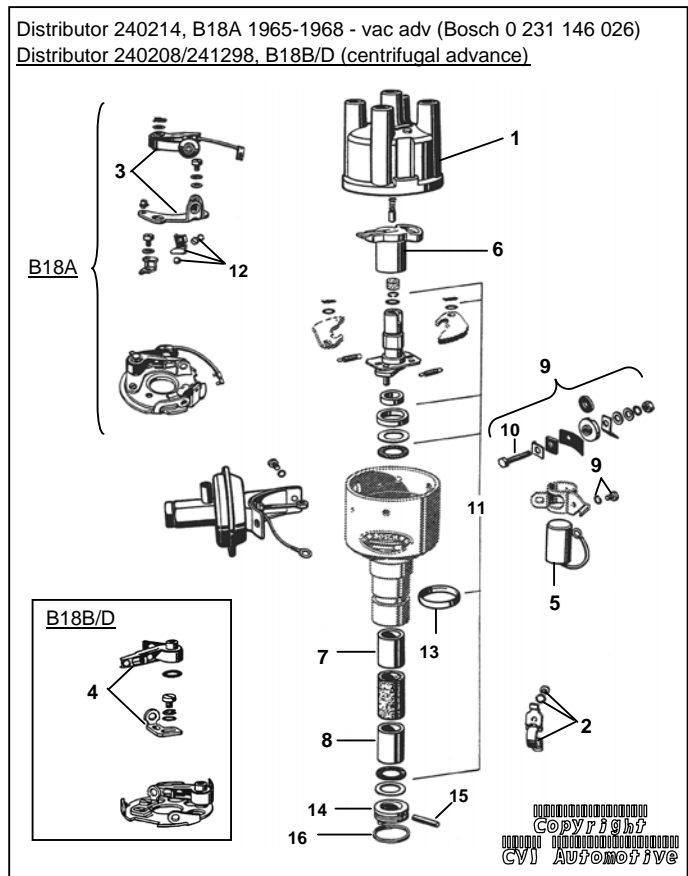


275662	Ignition lead set (for B20 RHD)
238859	Contact breaker pts, B18A (-'68), B18D (-'64)
240149	Contact breaker points, B18B/D, '65-'68
241652	Contact breaker points, B20A
1306169	Contact breaker points, B20B
238258	Rotor arm, B18 to 1964
243903	Rotor arm, 1965-'70
241397	Condenser, B18
241650	Condenser, B20

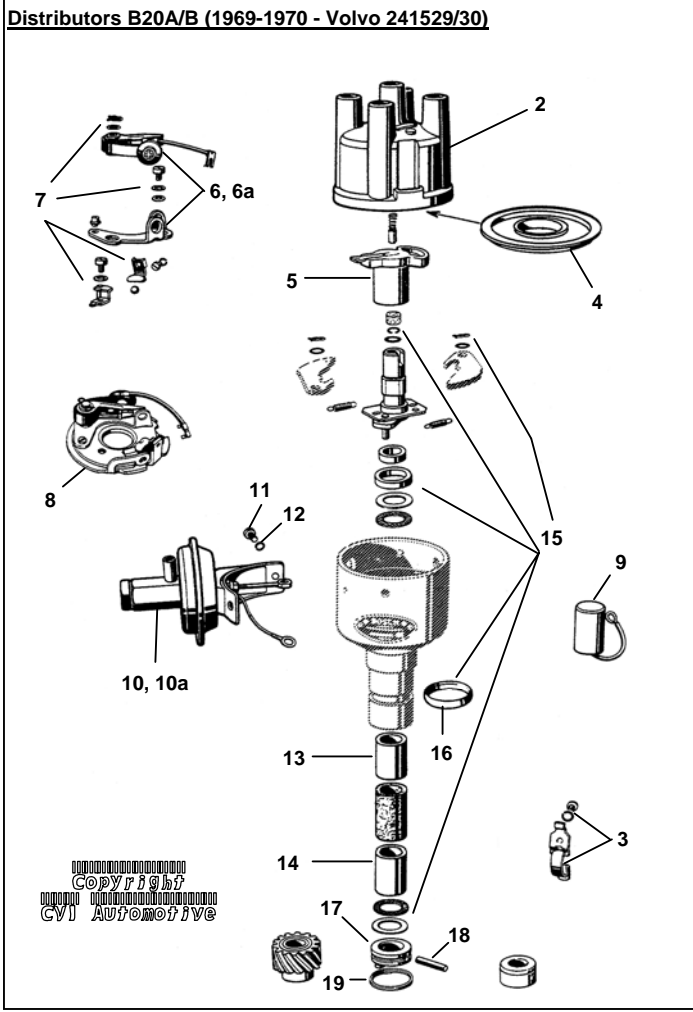


50010411	Distributor B18/B20 (breakerless)	
238731 (ER)	Distributor, B18A/D to 1964 (rebuilt exchange)	Call
239457 (ER)		
954514	(2.) Cable sleeve	(Bosch genuine)
870690	(3.) Distributor cap	(Bosch genuine)
76977	(4.) Rotor arm	
241397	(5.) Condenser	
238859	(6.) Contact breaker points	
48401	(7.) Lubricating felt under rotor arm	See 239417
955229	(8.) Screw, through housing	
955779	(9.) Nut, on outside	(2 per distributor)
955917	(10.) Spring washer	
25195	(11.) Plain washer	See 239417
25716	(12.) Insulating washer	See 239417
25936	(13.) Adjuster screw (eccentric)	See 239417
77543	(14.) Lock screw, points adjustment	See 239417
77683	(15.) Spring clip, for points	See 239417
48331/32	(16.) Adjuster shims for points	See 239417
956059	(17.) Screw for cap locking clip	
76928	(18.) Spring clip	See 239417
233306	(19.) Holding bracket with pin for vacuum adv.	See 239417
956058	(20.) Screw, holding bracket + condenser brack.	
955917	(21.) Spring washer	
77668	(22.) Retainer spring	See 239417
77692	(23.) Ball	See 239417
956042	(24.) Screw for retainer spring	See 239417
955915	(25.) Spring washer	See 239417
25929	(26.) Fiber washer	See 239417
25930	(27.) Adjuster washer (0.1 thickness)	See 239417
239337	(27.) Adjuster washer (0.3 thickness)	See 239417
233262	(28.) Bush (upper)	
238850	(29.) Bush (lower)	
233729	(30.) Spring retainer for distributor cap	See 239417
418265	(31.) Gasket, under distributor	
925060	(32.) Sealing ring, on shaft	
239417	Repair kit	(includes # 7-32 above)
233836	(33.) Coupling	
233838	(34.) Spring retainer	
976733	Hose for vacuum advance	

Distributors for B18A/B/D, 1965-1968



50010411	Distributor B18/B20 (breakerless)	
240214 (ER)	Distributor, B18A 1965-1968 (rebuilt exch.)	Call
	(Bosch 0 231 146 026)	
240208 (ER)	Distributor, B18D '65-'68, early B18B	Call
	(Bosch 0 231 153 003 (Early Type 0 231 153 002))	
241298 (ER)	Distributor, late B18B (fitted 123 GT)	Call
	(Bosch 0 231 153 009)	
	(Note: the above distributors are <u>reconditioned</u> , and are sold on an <u>exchange</u> basis only.)	
870690	(1.) Distributor cap (Bosch genuine)	
241659	(2.) Distributor cap clip set	
238859	(3.) Contact breaker points, B18A ('68)	
240149	(4.) Contact breaker points, B18B/D, '65-'68	
241397	(5.) Condenser	
243903	(6.) Rotor arm	
233262	(7.) Bush (upper)	
238850	(8.) Bush (lower)	
240588	(9.) Screw/insulator set, for points & condenser	
955229	(10.) Screw, through housing (incl. in 240588)	
240586	(11.) Small parts set for distributor shaft	
240591	Small parts set for contact breaker plate	
241658	(12.) Breaker plate small parts set	
418265	Gasket, under distributor	
925060	(13.) Sealing ring, on shaft	
233836	(14.) Drive coupling, at distributor base	
233837	(15.) Lock pin for coupling	
233838	(16.) Spring retainer for pin	

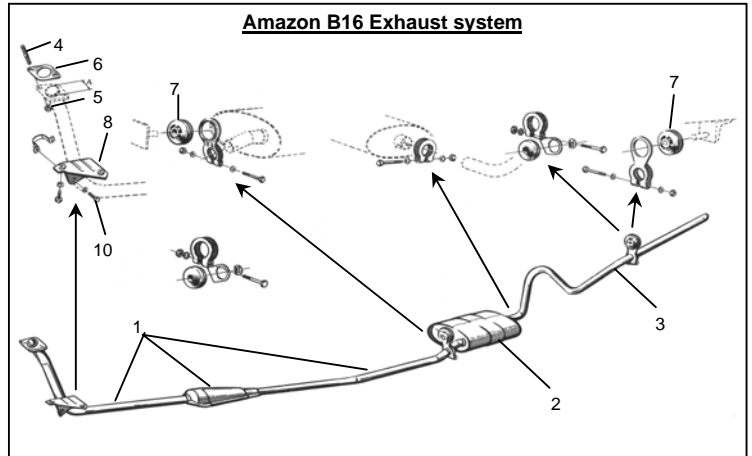


50010411	Distributor B18/B20 (breakerless)	
241529 (ER)	(1.) Distributor, B20A (exchange overhauled)	Call
241530 (ER)	(1.) Distributor, B20B (exchange overhauled)	Call
870690	(2.) Distributor cap (Bosch genuine)	
241659	(3.) Distributor cap clip set	
243761	(4.) Condensate trap	N/A
243903	(5.) Rotor arm	
241652	(6.) Contact breaker points, B20A	
1306169	(6a.) Contact breaker points, B20B	
241658	(7.) Contact breaker plate parts kit	
241663	(8.) Breaker plate B20B (includes 6 + 7 above)	
241650	(9.) Condenser	
241654	(10.) Vacuum advance mechanism, B20A	
241665	(10a.) Vacuum advance mechanism, B20B	
956958	(11.) Screw	
239340	(12.) Spring washer	Call
233262	(13.) Bush (upper)	
238850	(14.) Bush (lower)	
241671	(15.) Small parts set for distributor shaft	
418265	Gasket, under distributor	
925060	(16.) Sealing ring, on shaft	
233836	(17.) Drive coupling, at distributor base	
233837	(18.) Lock pin for coupling	
233838	(19.) Spring retainer for pin	

B16 System:

- | | | |
|---------------|--------------------------------------|--|
| Part # | | |
| 660539 | (1.) B16 Downpipe | |
| 653037 | (2.) Silencer (to ch. 12792) | |
| 658131 | (2.) Silencer, last type | |
| 653315 | (3.) Tailpipe (to ch. 2610) | |
| 658235 | (3.) Tailpipe, last type | |
| 953259 | (4.) Pin stud (manifold to downpipe) | |
| 190852 | (5.) Nut | |
| 1378904 | (6.) Gasket (genuine) | |
| 403546-1 | (6.) Gasket (R) | |
| 666208 | (7.) Rubber bush | |
| 657783 | (8.) Bracket | |
| 657784 | (9.) Clamp, early type | |
| 191583 | (9.) Clamp, late type | |
| 190364 | (10.) Screw | |

NLA



CV3K Complete B16 exhaust system, repro.

B18/B20 System:

- | | | |
|---------------|---|----------------|
| Part # | | |
| 663795 | (1.) Single downpipe ('61-'66) | <u>genuine</u> |
| 672196 | (2.) Twin downpipe ('67-'70) | <u>genuine</u> |
| | NB. These are too long to send - pickup only | |
| 663795-2PART | Single downpipe ('61-'66) split into 2 parts | |
| 672196-2PART | Twin downpipe ('67-'70) split into 2 parts | |
| | NB. These come in 2 pieces & can be sent | |

- | | | |
|----------|--|--|
| 1378904 | (3.) Gasket for single downpipe (genuine) | |
| 403546-1 | (3.) Gasket for single downpipe (Repro) | |
| 671822 | (4.) Gasket for twin downpipe | |
| 953259 | (5.) Pin stud (manifold to downpipe) | |
| 190852 | (6.) Nut | |
| 663794 | (7.) Bracket for single downpipe (1961-1966) | |
| 192040 | (8.) Clamp | |

- | | | |
|--------|--------------------------------|--|
| 672262 | (9.) Bracket for twin downpipe | |
| 942568 | (10.) Clamp | |

- | | | |
|----------|-------------------------------|--|
| 663456 | (11.) Main silencer (genuine) | |
| 663456-1 | Main silencer (Repro) | |

- | | | |
|--------|---|--|
| 666407 | (12.) Rubber ring for silencer, genuine | |
| 192204 | (13.) Clamp, downpipe to silencer | |

- | | | |
|--------|---------------------------------------|--|
| 663753 | (14.) Tailpipe, P120/P130 sedan/coupé | |
|--------|---------------------------------------|--|

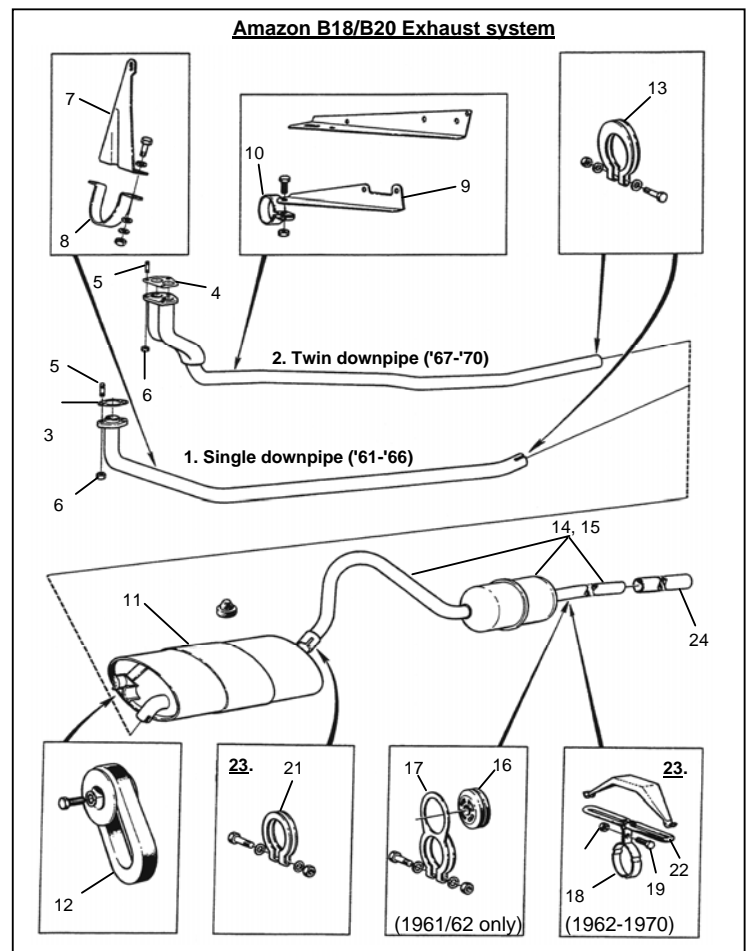
- | | | |
|----------|--------------------------------------|--|
| 672876 | (15.) Tailpipe, P220 wagon (genuine) | |
| 672876-1 | Tailpipe, P220 wagon (Repro) | |

- | | | |
|--------|--|--|
| 666208 | (16.) Tailpipe rubber cushion (1961/62 only) | |
| 666133 | (17.) Clamp for above | |

- | | | |
|----------------|---|--|
| 669365* | (18.) Clamp, around tailpipe (1962-1970) | |
| 940135/955826* | Screw/nut for 669365 (19/20.) | |
| 191466* | (21.) Clamp, main silencer to tailpipe | |
| 667503* | (22.) Tailpipe suspension rubber, '62-'70 | |

- | | | |
|--------|---|--|
| 273103 | (23.) Fitting kit for tailpipe, '62-'70 (contains items marked with asterisk *) | |
|--------|---|--|

- | | |
|--------|---|
| 276498 | Fitting kit for complete system, genuine |
| 270637 | Fitting kit for complete system, genuine |
| 273785 | Fitting kit for all <u>except</u> downpipe |



- | | | |
|--------|---|-----|
| 277178 | (24.) 123 GT tailpipe extender, chromed | NLA |
|--------|---|-----|

- | | |
|--------|--|
| 273437 | Complete exhaust system, sedan '61-'66 |
| 273323 | Complete exhaust system, sedan '67-'70 |
| | NB. These two are too big to send - see below |

- | | |
|--------|---|
| 273784 | Complete system, sedan - <u>less</u> downpipe (Above <u>genuine</u> systems incl. fitting kit) |
|--------|---|

Complete aluminised systems with fitting kit:

(These are boxed and can be sent by post etc)

- | | |
|-------|--|
| CV3K1 | Complete system, Az sedan B18 '61-'66 |
| CV3K2 | Complete system, Az sedan '67-'70 |
| CV3K3 | Complete system, Az wagon '62-'66 |
| CV3K4 | Complete system, Az wagon '67-'69 |

Sports exhaust and extractor manifold:

- | | |
|--------|---|
| 025K1 | 2" sports system, P120/P130 1961-1966 |
| 025K | 2" sports system, P120/P130 1967-1970 |
| 025K2 | 2" sports system, Amazon P220 1967-1969 |
| 037-E | 4-branch extractor manifold B18/B20 (4 into 1) |
| 037-2 | Adaptor, to use extractor with 2" system |
| 419381 | 4-branch manif. (4 into 2 into 1) - circuit use (NB. Remainder of system must be modified to suit) |

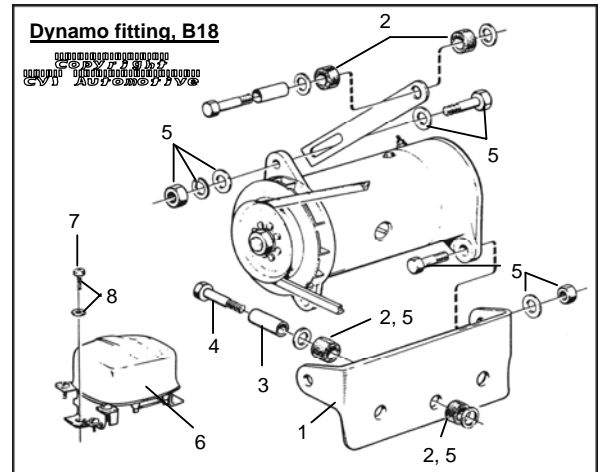
Starter motor (B18/B20)

<u>Part #</u>		<u>Part #</u>		<u>Price</u>
233679	Carbon brush set, starter 238620, early B18	240604	Starter motor, 12v (B18/B20) Carbon brush set, starter 240360, B18/B20	

Dynamo Fitting (B18)

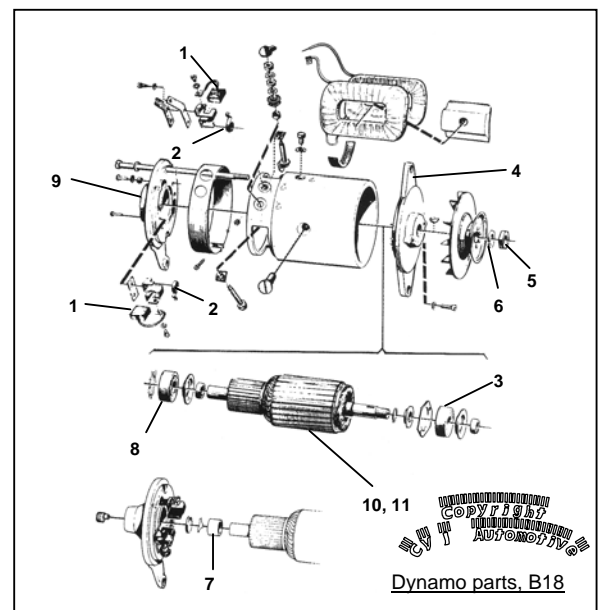
Part #	
418354	(1.) Bracket (renew if bolt holes are oval)
403877	(2.) Rubber bushing
403894	(3.) Spacer sleeve in rubber bushing (R)
955525	(4.) Bolt for fitting of bracket to engine block
FK-Dynamo 1	Fitting kit, dynamo/bracket (early, up to '66) (5.) (upper/lower bolts, nuts, washers + 403877)
FK-Dynamo 2	Fitting kit, dynamo/bracket (late, from '67 on) (5.) (upper/lower bolts, nuts, washers + 403877)
(419417V	Bracket for fitting alternator in place of dynamo to B18 engine (lhd cars only)
238640	(6.) Voltage regulator
1008	Decal (sticker) on side of relay (yellow)
190666	(7.) Screw (used up to approx. January 1964)
FK-012	(8.) Fitting kit (used from approx Jan. '64 on)

See Below)



Dynamo Parts (B16 where stated/B18A/D)

Part #		
238479	(1.) Carbon brush set (R)	(B16, 6v)
273500	(1.) Carbon brush set (R)	(B18, 12v)
238801	(2.) Return spring, carbon brushes	2/car
11010	(3.) Front bearing	(even B16)
238793	(4.) Bracket (aluminium) for front bearing	
190718	(5.) Nut	
955926	(6.) Lock washer	
238579	(7.) Bushing rear	(B18A)
11009	(8.) Rear bearing (B18D, even B16B) (R)	
238794	(9.) Housing for rear bearing (B18D)	
239365	(10.) Rotor (armature)	(B18A)
238804	(11.) Rotor (armature)	(B18D)

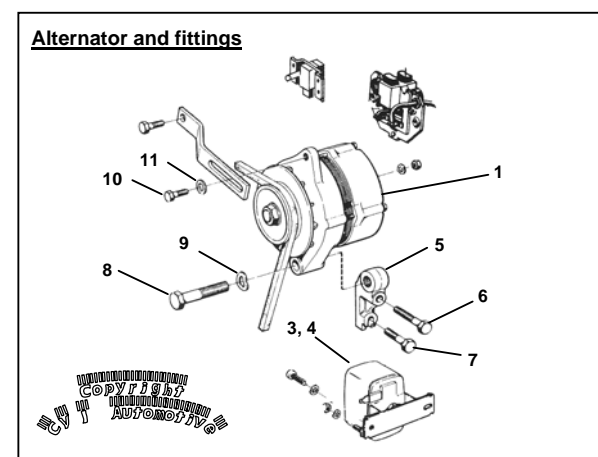


238621 **Dynamo, exchange rebuilt (B18)**
(send your old unit to us first - only type with bearing at both ends accepted!)

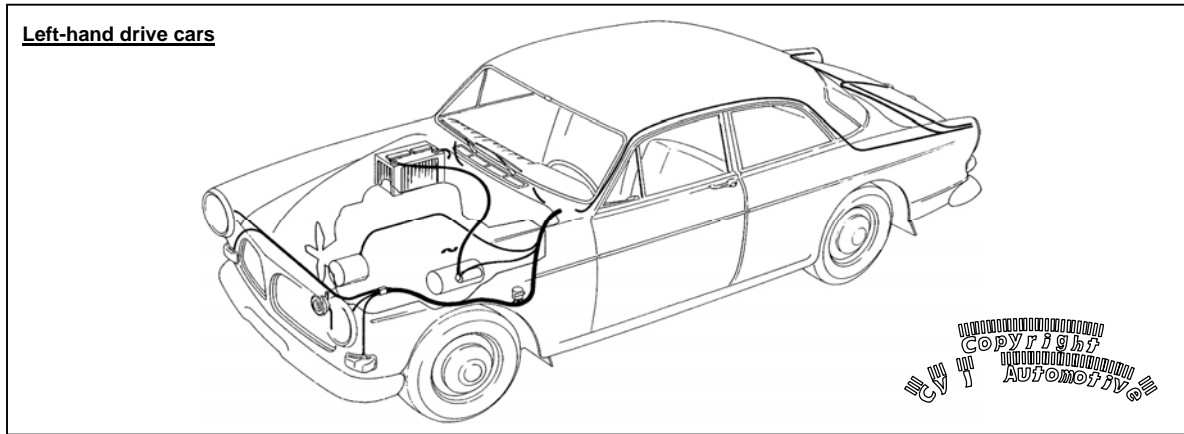
Stom **Core charge if old unit not sent**

Alternator (B18B/B20)

Part #		
419420-1	Alternator, 35A (with built in charging relay)	
419417V	Bracket, dynamo to altern. conversion (LHD)	
5001612	(1.) Bosch alternator, <u>exchange</u>	NLA
244456	(2.) Carbon brush kit, Bosch	
1259303	(3.) Charging relay, SEV (replaces 419589)	
1308030	(4.) Charging relay, Bosch (replaces 241534)	
419417	(5.) Bracket (for RHD B20 cars only)	NLA
955536	(6.) Bolt for bracket, upper	
955535	(7.) Bolt for bracket, lower	
955565	(8.) Bolt, (alternator to bracket, LHD & RHD)	
940280	(9.) Spring washer	
955524	(10.) Bolt for tension adjuster	
191172	(11.) Washer	
672765	Alternator warning sticker/decal (123 GT) (Big sticker under hood/bonnet - white text on red background)	

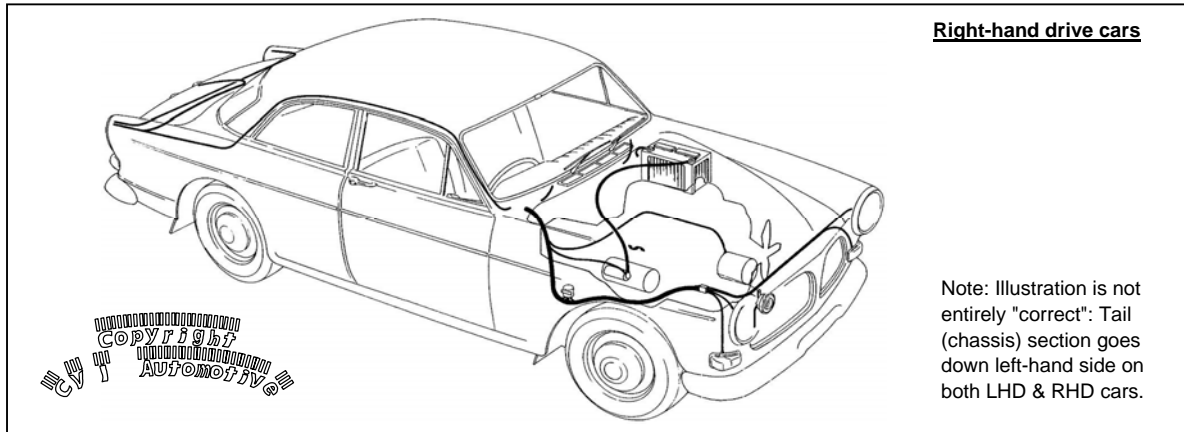


Left-Hand Drive Cars (eg. USA/Canada, mainland Europe, S. America, most of Asia & Africa)



Part no.	Model type		<u>NB! LEFT-HAND DRIVE CARS</u>			
3001	P120/P130		1962 only	B18	LHD	
3002	P120/P130		1963 only	B18	LHD	
3003	P120/P130		1964 only	B18	LHD	
3005	P120/P130	(Single circuit brakes)	1965-1968	B18	LHD	
3006	123 GT		1967-1968	B18	LHD	
3007	P130	(Dual circuit brakes)	USA 1968	B18	LHD	Need sample
3008	123 GT	(NB! Sample required!)	1969-1970	B20	LHD	Use 3009
3009	P130		1969-1970	B20	LHD	
3010	P220	(Station wagon)	1962-1963	B18	LHD	Need sample
3011	P220	(Station wagon)	1964 only	B18	LHD	
3013	P220	(Station wagon)	1965-1968	B18	LHD	
3014	P220	(Station wagon)	USA 1968	B18	LHD	Need sample
3015	P220	(Station wagon)	1969 only	B20	LHD	

Right-Hand Drive Cars (eg. UK/Ireland, Japan, South Africa, Australia, New Zealand, Malaysia, Singapore)



NB! RIGHT-HAND DRIVE CARS

Part no.	Model type		<u>Model year</u>			
3016	P120/P130		1962 only	B18	RHD	
3017	P120/P130		1963 only	B18	RHD	
3018	P120/P130		1964 only	B18	RHD	
3019	P120/P130		1965-1968	B18	RHD	
3021	123GT		1967-1968	B18	RHD	
3022	P130		B20 1969	B20	RHD	use 3023
3023	P130		B20 1970	B20	RHD	
3024	P220	(Station wagon)	1962-1963	B18	RHD	Need sample
3025	P220	(Station wagon)	1964 only	B18	RHD	
3026	P220	(Station wagon)	1965-1967	B18	RHD	
3027	P220	(Station wagon)	1968	B18	RHD	

Part #				
671157	Cable harness, to LH headlamp	958214-15	(1+2.) Connector box (black), complete	
671373	Cable harness, to RH headlamp			
662123	Cable harness, to LH indic/parking lamp (R)	191676	(3.) Bridging connector (in connector box)	
662124	Cable harness, to RH indic/parking lamp (R)	666211 (ER)	Clip, fitting of box, galvanized	Call
	(NB: above cables are included in the complete harnesses featured on the preceding page)			

88273	Rubber grommet, indicator cable		
667512	Rubber grommet, for headlamp cable	NLA	

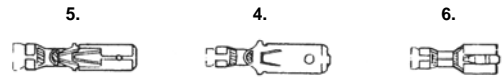


958211	Headlamp connector	958204	(4.) Electrical connector (single thickness)
		958203	(5.) Electrical connector (double thickness)
		958217	(6.) Female spade connector (use with above)

Connector 958211



NB Connector 958211 is included on harnesses



NB. The above items are all included in the complete wiring harnesses featured on the preceding page (but not bridging connector 191676)

Battery & Earth leads (B18/B20)

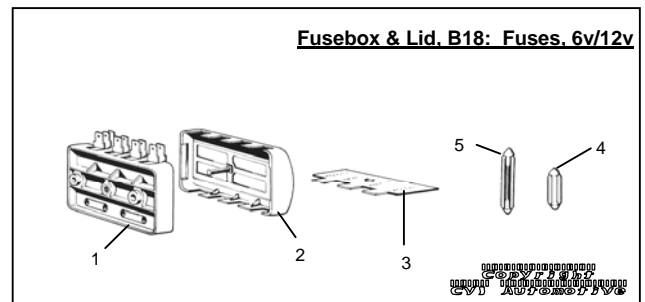
Part #			
192647	Battery lead, battery-starter motor, LHD (R)	673580	Rubber cover, on battery lead at starter m.
192214	Battery lead, battery-starter motor, RHD (R)		
11417	Earth strap, battery-body (B16 also)		
190339	Earth strap, engine-body (B16 also)		

Rubber cover 673580



Fusebox (B18/B20) & Fuses (B16/B18/B20)

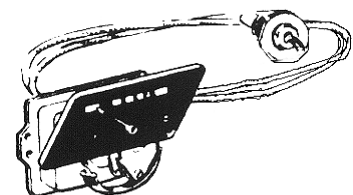
Part #			
192228	(1.) Fuse box, B18/B20	(not B16)	
192229	(2.) Fuse box lid		
667698	(3.) Instruction sheet	(R)	
11434	(4.) Fuse, short, 25A (original ceramic)		
11434-1	(4.) Fuse, short, 25A (glass fuse)		
11433	(5.) Fuse, long, 8A		
942545	Fuse, 123 GT, 5A		
942785	Fuse, 123 GT, 16A		
CVI-598	Fuse kit (with assorted fuses)	NLA	



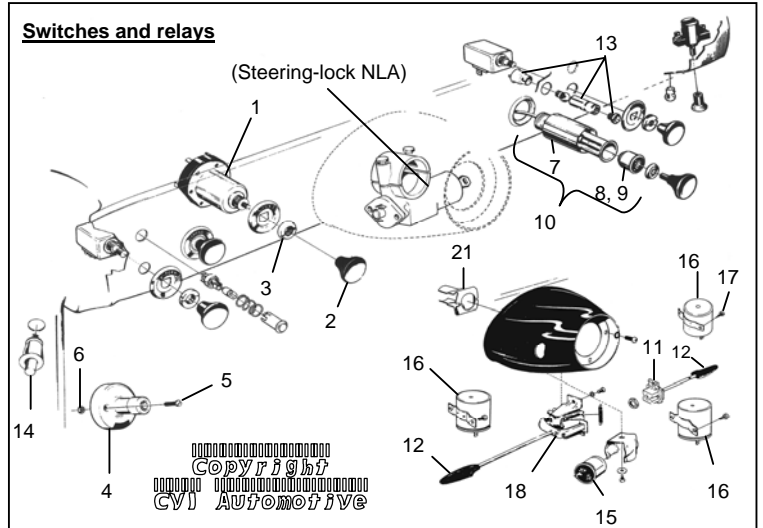
Instruments & Gauges

Part #			
673999	Temp. Gauge (complete with union for fitting into cylinder head)		
673998	Fuel gauge, 12v	NLA	
19901	Bulb, instruments, 6v	(6 per car)	
277703	Bulb, instr'mts/dash, 12v	(7 per car)	

Temp gauge 673999



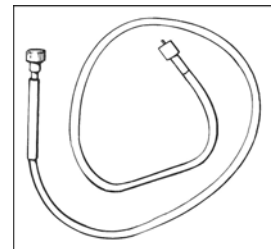
658258	Headlamp switch, B16	
663748	(1.) Headlamp switch, B18/B20	NLA
658191	(2.) Black knob for headlamp switches	
654442	(3.) Chromed nut for switches	
668675	(4.) Foot dipper switch	
FK-668675	(5+6) Fitting kit, foot dipper switch (2 screws + 2 cage nuts (in floor))	
1307911	Relay, for h/lamp dip <u>via indicator switch</u>	
662118	(7.) Cigar lighter sleeve (sender), 12v	
93931	(8.) Glow element, 6v (Casco, USA)	
662108	(9.) Glow element, 12v (Casco, USA)	
277238-1	(10.) Cigar lighter, compl., 12v (Casco R)	
663047	(11.) Overdrive switch (comes <u>less</u> knob) (R)	NLA
658225	(12.) Knob for o/d switch/indicator switch	
658383	(14.) Door pillar switch	
89111	Flasher relay (2-pin), 6v	
660582	Flasher relay (3-pin), B16 6v	
667408	Flasher relay, B18 (up to 1963)	
667407	(15.) Flasher relay, B18 (1964-1968, USA '67)	
686452	Flasher relay, B20 (R) (1969-1970)	
669102	(16.) Relay (h/lamp flash, reverse light, overdrive)	
955137	(17.) Screw (2/relay)	



19901	Bulb, instruments, 6v	(6 per car)
277703	Bulb, instr'mts/dash, 12v	(7 per car)
657317-B	(18.) Indicator switch (used only)	
672115-B	(20.) Companion flange (2nd-hand)	
678840-R	Horn (high tone)	
678841-R	Horn (low tone)	NLA

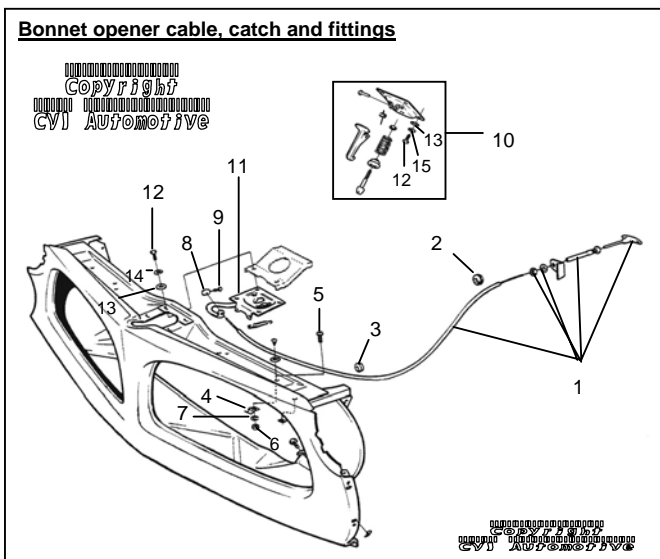
Speedometer cables & Speedo Drive gears

Part #	
660874	Speedo cable, B16 with H6 gearbox (LHD)
660840	B16 with M4 gearbox (+ RHD H6 gearbox)
669020	B16/B18 (M30/M40) non overdrive, '63
668598	B16/B18 (M31/M41) with overdrive, '63
670506	Speedo cable, non-o/d, 64-70 (genuine)
670505	Speedo cable, overdrive, 64-70 (genuine)
654507	Rubber grommet for cable (thru bulkhead)
951188	Clamp, for 670505
951191	Clamp, for P220 station wagon
955137	Screw, for clamp



380164	Drive gear, 16 cogs (sedan M30/M40)	
380166	Drive gear, 17 cogs (P220 M40)	NLA
380168	Drive gear, 18 cogs (P120/P130 B18 M31/M41)	NLA
380753	Drive gear, P130 with overdrive (B20)	
380192	Oil seal, speedo cable inlet in g/box/O/D	

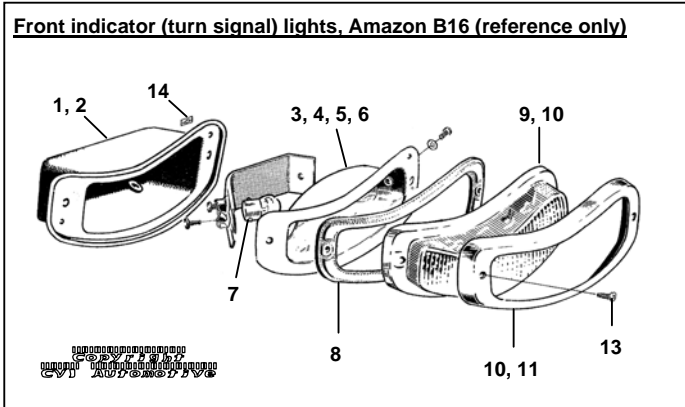
Bonnet Opener Cable and Fittings



657180	(1.) Bonnet opener cable	(R)
680011	(2.) Grommet, to engine bay	(R)
40136	(3.) Grommet, through front panel	
18335	(4.) Clamp, in front panel	
950020	(5.) Screw for clamp	
940092	(6.) Nut	
955946	(7.) Lock washer	
21882	(8.) Retainer	
956059	(9.) Screw	
657796-B	(10.) Bonnet catch, upper section (on bonnet)	
657785-B	(11.) Bonnet catch, lower section (LHD)	Call
657786-B	(11.) Bonnet catch, lower section (RHD)	Call
955512	(12.) Bolt	
192287	(13.) Washer	
940155	(14.) Lock washer	
955920	(15.) Spring washer	

Indicator (turn signal) lamps, Amazon B16 (included for reference only)

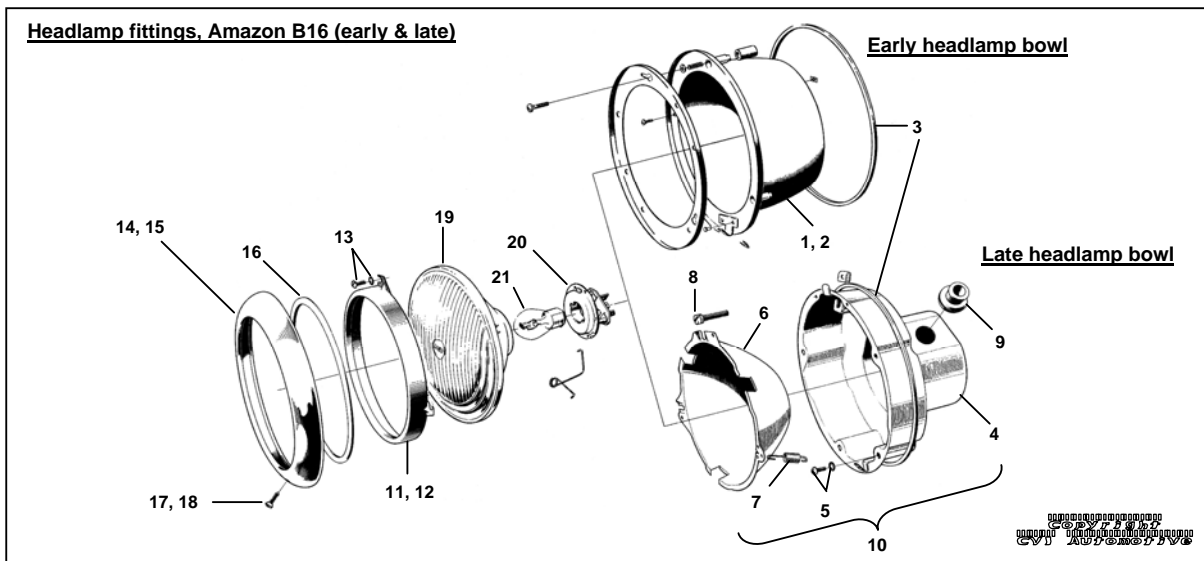
Front indicator (turn signal) lights, Amazon B16 (reference only)



658776	(1.) Rubber insert, lhs	NLA
658777	(2.) Rubber insert, rhs	NLA
656825	Socket, early	(to ch no. 20999) NLA
654773/4	(3/4.) Reflector, early type, lh/rh	(to ch no. 20999) NLA
659093/4	(5/6.) Reflector, late type, lh/rh	(from ch no. 21000) NLA
19897	(7.) Bulb (twin filament)	
654772	(8.) Gasket	Call
654770	(9.) Lens, lhs	NLA
654771	(10.) Lens, rhs	NLA
659091	(11.) Chrome surround, lhs	NLA
659092	(12.) Chrome surround, rhs	NLA
190388	(13.) Screw	
190485	(14.) Speed nut	Call

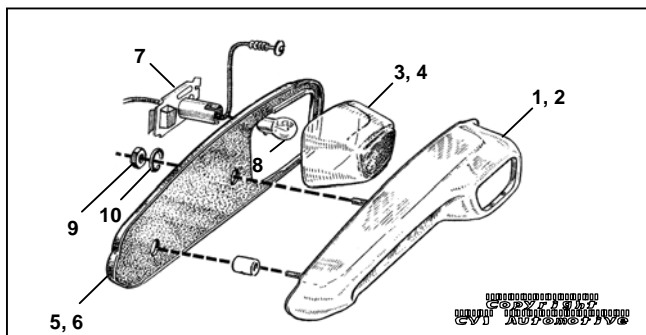
Headlamp and fittings, Amazon B16

Headlamp fittings, Amazon B16 (early & late)



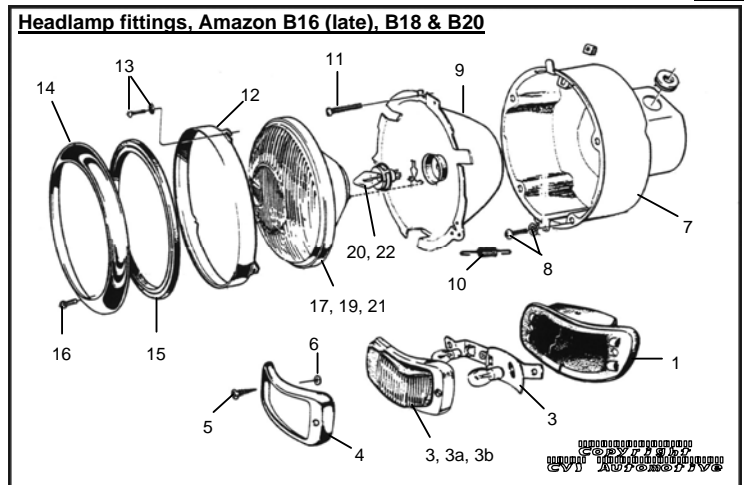
Part #					
653153	(1.) Headlamp bowl, lhs	(early B16)	653151	(11.) Inner retainer rim, for early h/lamp bowl	NLA
653154	(2.) Headlamp bowl, rhs	(early B16)	use 653153 671260	(12.) Inner retainer rim, late bowl (ref: 88050)	
88051	(3.) Rubber sealing ring		FK-006	(13.) Fitting kit, inner rim to inner bowl (late, 2/car)	
273547	(4.) Headlamp bowl, with fitting kit to wing		653152	(14.) Headlamp bezel, 1957-1959	Call
	(replaces 87680 & 87681)		671739	(15.) Headlamp bezel, 1960-1970 (former 660092)	
FK-005	(5.) Fitting kit		88052	(16.) Rubber seal, in h/lamp rim	
83590	(6.) Inner bowl		106985	(17.) Screw for early h/lamp bezel	Call
83591	(7.) Spring	(3 per bowl)	115895	(18.) Screw for later h/lamp bezel (genuine)	
87690	(8.) Adjuster screw	(3 per bowl)	238775	(19.) Headlamp insert (B16 "Robolight" - <u>not</u> USA)	
88273	(9.) Rubber grommet for cable		238776	(20.) Bulb socket for 238775	Call
273547P	(10.) H/lamp bowl/inner bowl, <u>plastic</u> (4/6/7/8.)		182035	(21.) Bulb for 6v headlamps (B16)	

Number-plate lamp (up to chassis number 20999: NLA (included for reference only))



654230	(1.) Chrome housing, lh	NLA
654231	(2.) Chrome housing, rh	NLA
660416	(3.) Lens, lh	NLA
660417	(4.) Lens, rh	NLA
654240	(5.) Seal, lh	NLA
654241	(6.) Seal, rh	NLA
654242	(7.) Bulb-holder (lh/rh)	NLA
182007	(8.) Bulb	Call
940092	(9.) Nut	
955946	(10.) Serrated washer	

Part #	Description	Notes
666775	(1.) Rubber gaiter (B18/B20, lhs)	
666776	(1.) Rubber gaiter (B18/B20, rhs)	
666773	(2.) Reflector (repro), lhs	} B18/B20
666774	(2.) Reflector (repro), rhs	
668911	(3.) Indicator lens, lhs	(white/amber)
668912	(3.) Indicator lens, rhs	(white/amber)
668913	(3a.) Indicator lens, lhs	(white/white)
668914	(3a.) Indicator lens, rhs	(white/white)
673238	(3b.) Indicator lens, lhs (USA '68)	(all-amber)
673239	(3b.) Indicator lens, rhs (USA '68)	(all-amber)
666770	(4.) Chrome surround	(rhs only)
961324	(5.) Screw (2 per side)	
192557	(6.) Speed nut (in wing)	
277707	Bulb, parking lamp, 12v	
277721	Bulb, indicator lamp (front and rear), 12v	
662123	Cable harness to LH indic/parking lamp (R)	
662124	Cable harness to RH indic/parking lamp (R)	
273547	(7.) Headlamp bowl, with fitting kit to wing	
FK-005	(8.) Fitting kit	
88051	Seal betwn. bowl and wing (incl. in 273547)	
83590	(9.) Inner bowl	
83591	(10.) Spring	(3 per bowl)
87690	(11.) Adjuster screw	(3 per bowl)
671260	(12.) Inner retainer rim	
FK-006	(13.) Fitting kit, inner rim to inner bowl (2 per car)	
273547P	H/lamp bowl/inner bowl, plastic (7/9/10/11.)	
671739	(14.) Headlamp rim	
88052	(15.) Rubber seal, in h'lamp rim	
115895	(16.) Screw for bezel	(genuine)
241067	(17.) Headlamp insert (Bosch assymetric, LHD)	NLA
240518	(19.) Headlamp insert (Lucas assymetric, RHD)	NLA



Part #	Description	Notes
277730	(20.) Bulb for old-style assymmetric lamps (12v)	
943855	(20.) Bulb, as above but <u>yellow</u> glass (France)	
R12 (60/55W)	H4 bulb, fits old-style h/ls 241067/240518	
1212963	(21.) Headlamp insert, H4 (LHD "Volvo") (flat glass)	
1212962-R1	(21.) H/lamp insert, H4, RHD	(flat glass)
1212962-R2	(21.) H/lamp insert, H4, RHD	(domed glass)
963187	(22.) H4 bulb for 1212962/63	
671157	Cable harness to LH headlamp	
671373	Cable harness to RH headlamp	
668675	Foot dipper switch (for high/low beam)	
FK-668675	Fitting kit, foot dipper switch	(R)
	2 screws + 2 cage nuts (in floor)	
1307991	Relay, for h/lamp dip <u>via indicator switch</u>	

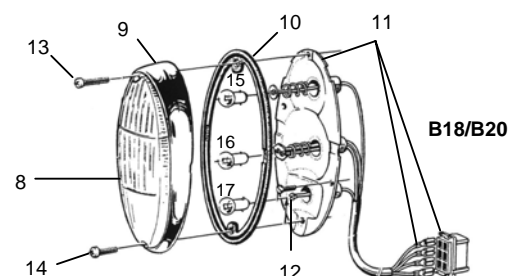
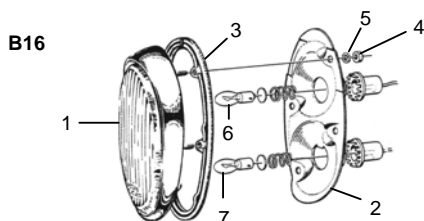
LIGHTING, REAR, VOLVO AMAZON B16/B18/B20

B16, B18 up to 1962:

Part #	Description	Notes
659096	(1.) Lens (all-red) (B16, B18 up to '62)	
660258	(2.) Reflector (ch. 21000 on)	NLA
663581	(3.) Rubber seal	
940092	(4.) Nut	
955946	(5.) Serrated lock washer	
191188	(6.) Bulb, 6v	single B16
19897	(7.) Bulb, 6v	twin filament B16
277721	(6.) Bulb, 12v	single B18
277729	(7.) Bulb, 12v	twin filament B18

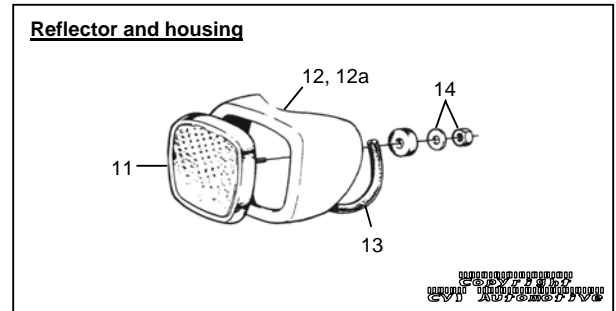
B18/B20 (from 1963):

Part #	Description	Notes
672426	(8.) Rear lens, European	(red/amber/clear)
667678	(9.) Chrome surround	unavailable at present
672333	(8+9) Lens with chrome, European	
667674	(8+9) Lens with chrome, USA	(red/red/clear)
667612	(10.) Rubber seal	
667675	(11.) Reflector, all P220, + P120/P130 '63-'64 1/2	
670614	(11.) Reflector, P120/P130 from 1964 1/2	
955149	(12.) Screw set, for reflector	(4 per car)
192543	(13.) Screw, upper (long)	
950099	(14.) Screw, lower (short)	
277721	(15.) Bulb	upper
277729	(16.) Bulb	middle
277722	(17.) Bulb	lower



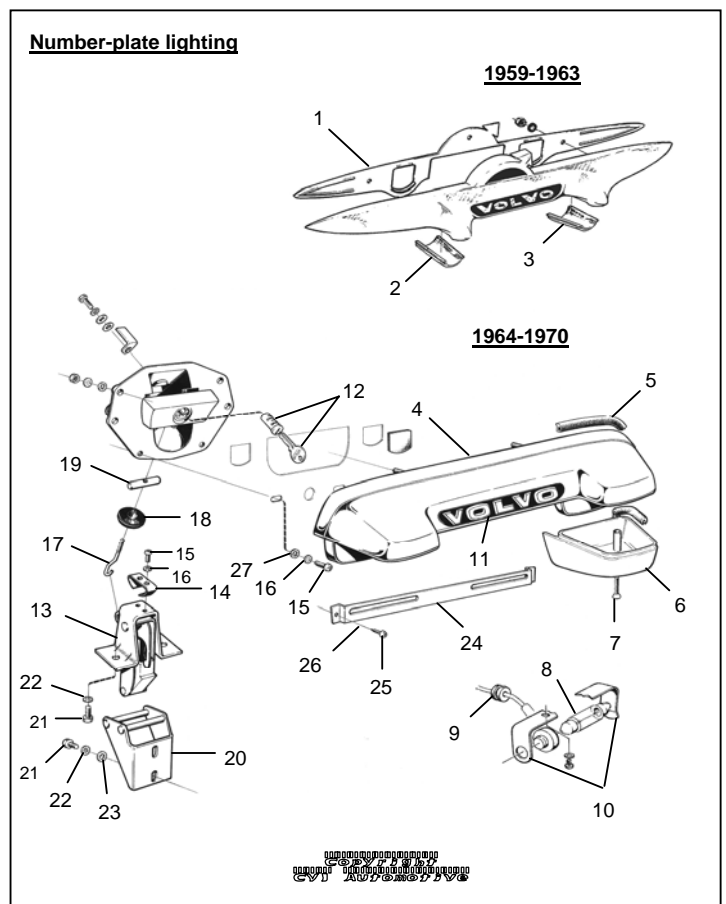
Reflector on rear wing (B16/B18/B20):

Part #		
654483	(11.) Reflector	
654491	(12.) Housing, P120/P130	(lhs)
654492	(12.) Housing, P120/P130	(rhs)
663105	(12a.) Housing, P220	(lhs)
663106	(12a.) Housing, P220	(rhs)
13319	(13.) Seal	(by meter)
192287/781	(14.) Nut/washer	
273242	(11-14.) Reflector set, P120/130, lhs	
273243	(11-14.) Reflector set, P120/130, rhs	



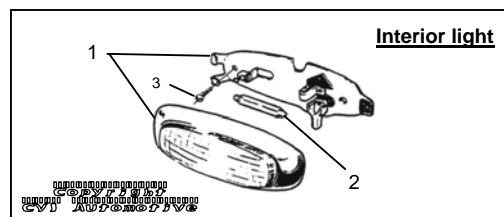
Bootlid handle & Number-plate lamp (Late B16 + B18/B20)

Part #		
660555	(1.) Rubber seal under handle used '59-'63	
659002	(2.) Lens, lhs	NLA
659003	(3.) Lens, rhs	NLA
668971	(4.) Bootlid handle, P120/P130, 1964-'70 (repro.)	
669071	(5.) Rubber seal between handle and bootlid	
668979	(6.) Lens in handle (P120/P130)	
192610	(7.) Screw for lens	
277713	(8.) Bulb (for both sedan and station wagon)	
668982	(9.) Rubber grommet	
668942	(10.) Bulb-holder	(2nd-hand)
668990	Cable, with eyelet	2/car
663060	(11.) "Volvo", on bootlid handle	(R)
666229	(12.) Lock barrel, with 2 keys	
663891	(13.) Locking mechanism	
658829	(14.) Guide spring for lock	
950020	(15.) Screw	
955946	(16.) Lock washer	
663889	(17.) Link	
659006	(18.) Rubber grommet between lock & handle	NLA
663888	(19.) Shaft between lock & handle	
658821	(20.) Striker plate (lower)	
940113	(21.) Screw	
955949	(22.) Star washer	
955894	(23.) Washer	
679161	(24.) Number-plate holder bracket (not USA)	
955137	(25.) Screw	
955946	(26.) Lock washer for screw 955137	
120085	(27.) Washer	

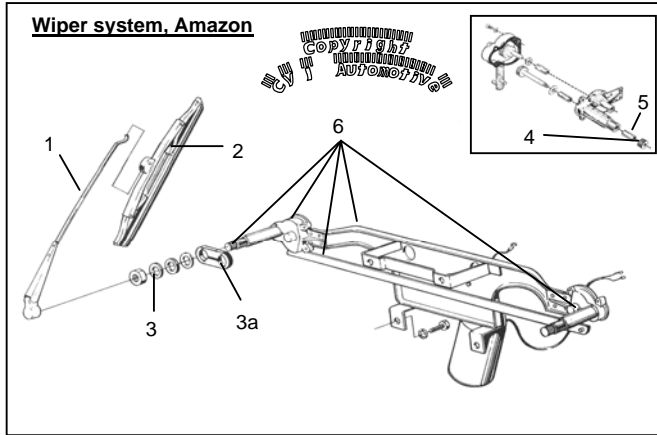


INTERIOR LIGHTING, B16/B18/B20

Part #		
662109	(1.) Interior light, complete with lens	
	(NB: Lens is NLA on its own)	
182057	(2.) Bulb, 6v	
277715	(2.) Bulb, 12v	
955153	(3.) Screw, for base plate	(2 per car)
658383	Door pillar switch	



Windscreen wipers, Volvo Amazon B16/B18/B20



Part #

- 673189 (1.) Wiper arm (stainless)
- 673190 (2.) Wiper blade (genuine)
- 673189-90K Wiper set: 2 arms/2 blades**
- 190735 (3.) Chromed washer, under splined head
- 660397 (3a.) Sponge seal, for wiper box

Hubs for wiper arm attachment to spindle/complete mechanisms:

- 658164 (4.) Hub (with splines), for SWF/Autolite (6 mm)
- 671911 Hub (with splines), for Electrolux (8 mm)
- 660357 (5.) Bush for wiper spindle, type SWF
- 660382 (ER) (6.) Wiper mechanism, exchange overhauled
(Note: we must have your old unit first)

Windscreen washers, Volvo Amazon B16/B18/B20

Washer components, 1957 - 1961:

- | | | | |
|---------------|---|--------------|-----|
| Part # | | | |
| 659076 | (1.) Washer jet | (up to 1965) | NLA |
| 670240 (5) | (1a.) Nylon washer (sold in 5-packs only) | | |
| 192580 | (3.) Plastic hose | (up to 1965) | |
| 659248 | (4.) Three-way union | (up to 1965) | |
| 192581 | (5.) Plastic hose | | |
| 40136 | (6.) Rubber grommet | (up to 1965) | |

Pump, motor bottle & bracket, 1957 - 1961:

- | | | | |
|----------------|--|----|-----|
| 661235 | Pump and motor, late B16 | 6v | NLA |
| 666977 | (11.) Washer bottle (incls. lid, hose, angle pipe) | | |
| 666977 (1.5)-1 | Wash bottle/clamp, larger diameter than orig. | | |
| 663641 | (12.) Angle pipe, from bottle top | | |
| 667352 | (13.) Non-return valve | | |
| 659809 | (14.) Bracket for genuine water bottle | | NLA |
| 190665 | (15.) Screw (2 per bracket) | | |

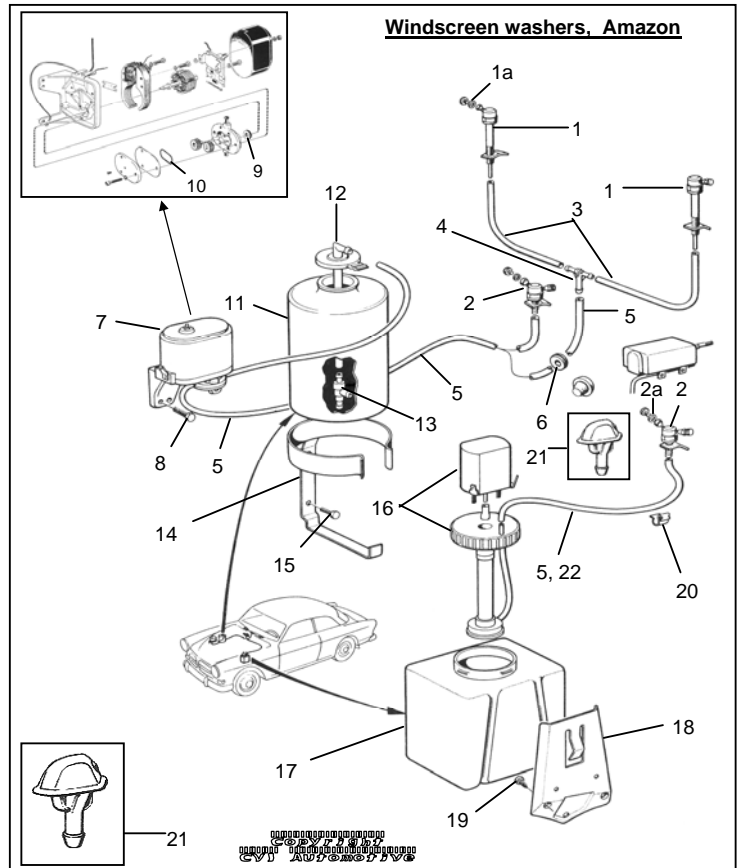
Pump & Motor, 1962 - 1966:

- | | | | |
|------------|---|--------------|--|
| 1698261 | (2.) Washer jet | (1966 only) | |
| 670240 (5) | (2a.) Nylon washer (sold in 5-packs only) | | |
| 661324 | (7.) Washer motor, B18 to 1966 | 12v | |
| 190364 | (8.) Screw | (3 per pump) | |

- | | | | |
|----------------|--|--|--|
| 343188 | (9.) Sealing ring, for repair of old pumps | | |
| 343378 | (10.) Sealing ring, for repair of old pumps | | |
| 666977 | (11.) Washer bottle (incls. lid, hose, angle pipe) | | |
| 666977 (1.5)-1 | Wash bottle/clamp, larger diameter than orig. | | |

- | | | | |
|--------|-----------------------------------|--|--|
| 663641 | (12.) Angle pipe, from bottle top | | |
| 667352 | (13.) Non-return valve | | |

- | | | | |
|--------|--|--|-----|
| 659809 | (14.) Bracket for genuine water bottle | | NLA |
| 190665 | (15.) Screw (2 per bracket) | | |

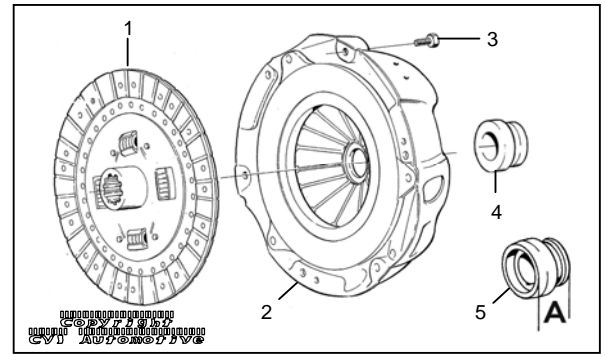


Pump & Motor, 1967 - 1970:

- | | | | |
|----------|-------------------------------------|-----------------|--|
| 688400 | (16.) Washer motor, 1967-1970 | | |
| 671723 | (17.) Water bottle (square type) | (genuine) | |
| 671723-1 | (17.) Water bottle (square type) | (R) | |
| 672408 | (18.) Bracket | | |
| 955138 | (19.) Screw | (3 per bracket) | |
| 191404 | (20.) Clamp | | |
| 672631 | (21.) Washer jet (with rubber seal) | (grey original) | |
| 943727 | (22.) Rubber hose | (1969-1970) | |

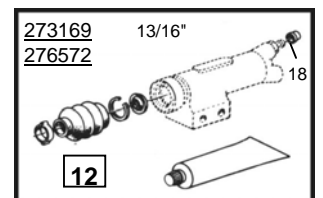
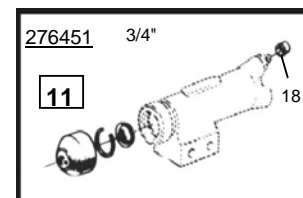
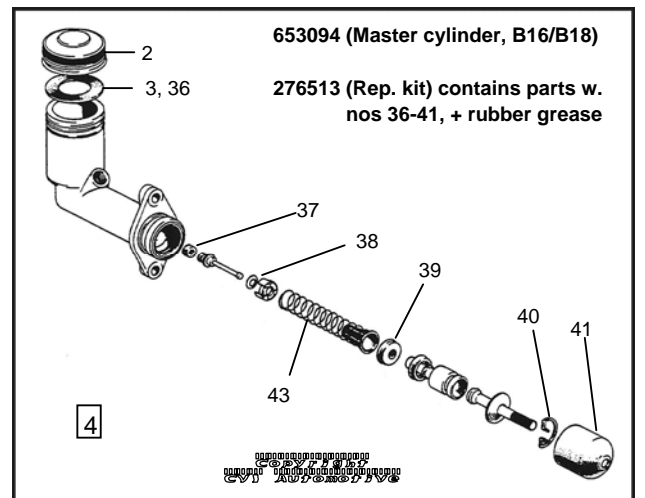
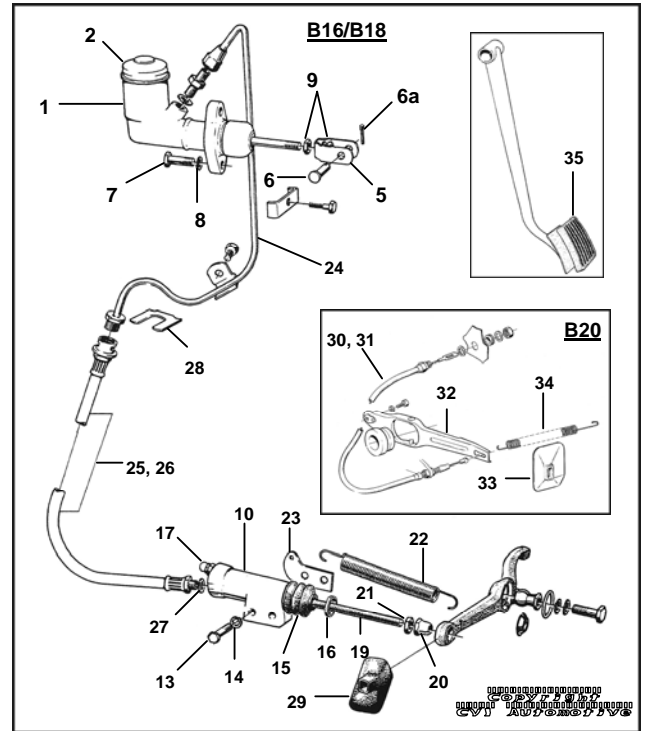
- F&S = Fichtel & Sachs: B&B = Borg & Beck**
 Clutch kit, B16 **Use B18 clutch** Call us!
 Release bearing (also known as 19561)
- 1377323 (1.) Friction plate (current F&S clutch)
 1220795 (2.) Pressure plate (F&S)
 940135 (3.) Bolt
 380569 (4.) Release bearing for ditto (Volvo/Sachs gen.)
 672122 (5.) Rel brng, B&B clutches ('66-) (A=43mm)
- 271263 Clutch kit (includes 1 & 2 in diagram)**
 Use bearing 380569 with this kit
- 11009 Support bearing, for gearbox input shaft (R)
 1218634-S Crankshaft seal kit (modern oil seal type)

(B18)
(B20)



CLUTCH HYDRAULICS (B16/B18): CLUTCH CABLE (B20)

- Part #**
- 653094 (1.) Master cylinder, with pushrod (R)
 656479 (2.) Filler cap (in original aluminium)
 656480 (3.) Seal, under lid (included in repair kit)
 276513 (4.) Repair kit, master cylinder (genuine)
 276513-1 (4.) Repair kit, master cylinder (R)
 672917 (5.) Yoke, on pushrod (renew if holes are oval)
 913128 (6.) Clevis pin
 907824 (6a.) Split pin
 940135 (7.) Bolt
 955949 (8.) Lock washer
 955847 (9.) Nut
- 653117 Slave cylinder, B16 (3/4") NLA
 669782 (10.) Slave cylinder, B18 (-1966) (3/4") Buy 673030
 276451 (11.) Repair kit, 3/4" slave cyls. (genuine)
 276451/169 **Repair kit for both 3/4" and 13/16" R**
- 673030 (10.) Slave cylinder, B18 (13/16") R
 276572 (12.) Repair kit, 13/16" for cylinder 668365 (gen.) Buy 273169
 273169 (12.) Repair kit, 13/16" for cylinder 673030 (gen.)
 276451/169 **Repair kit for both 3/4" and 13/16" R**
- 955526 (13.) Bolt
 955921 (14.) Spring washer
 673034 (15.) Rubber bellows (fits all, but std. from 1967-)
 673035 (16.) Lock ring for dust cover
- 656455 (17.) Bleed nipple for slave cylinder
 656456 (18.) Rubber cover on bleed nipple
- 653093 Pushrod, B16 slave cylinder
 673032 (19.) Pushrod, B18 (with nos. 15. & 16.)
 653433 (20.) Adjuster nut
 955847 (21.) Lock nut
- 653941 (22.) Return spring (B16 from ch. no. 9442) + B18
 657894 (23.) Anchorage for return spring
- 667079 (24.) Hydraulic pipe (NB. LHD cars only)
- 654493 (25.) Flexi hose, B16 (up to ch no. 2176)
 656877 (26.) Flexi hose, later B16 + all B18
 18651 (27.) Copper gasket
 80939 (28.) Lock fork for hose to pipe (R)
 663994 (29.) Dust cover, B18
- 1206205-1 (30.) Clutch cable, B20 (lhd) (genuine)
 1206205-1 (30.) Clutch cable, B20 (lhd) (R)
 1206206 (31.) Clutch cable, B20 (rhd) (genuine)
- 677431 (32.) Clutch fork (B20) (ref: 1212189)
 677465 (33.) Rubber dust cover, B20
 677531 (34.) Return spring, B20
- 666176 (35.) Pedal rubber (lhd cars) (R)
 653238 (35.) Pedal rubber (rhd cars) (R)
- 669950 (43.) Return spring, clutch master cylinder



M30=3-speed

M31=3-speed with overdrive

M40=4-speed

M41=4-speed with overdrive

Part #

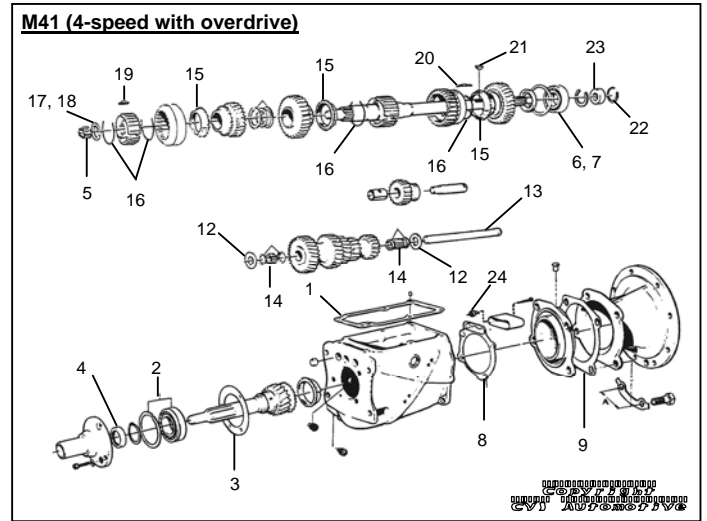
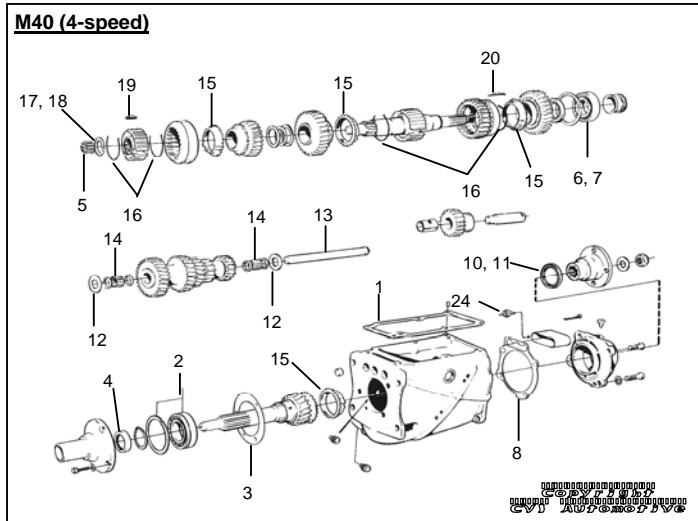
- 659493 Gear shift gaiter, grey, B16 -ch# 54399
- 659701 Gear shift gaiter, grey, late B16, B18 to '64
- 670875 Gear shift gaiter, black, 1965-1970

Gear lever shift boot



Gearbox Parts for M40 & M41 Transmissions

<u>Part #</u>		<u>Part #</u>	
381107	(1.) Cork gasket, under lid	275415	Gasket set, M30/M40 (up to 1966)
951965	Locking pin, middle selector fork	275488	Gasket set, M30/M40 (1967-1970)
67089	Ball, for locking gear in position, on selector	275416	Gasket set, M31/M41 (NOT for o/d section)
87972	Spring, above ball	656551	(12.) Thrust washer for laygear (2/car)
11145	(2.) Bearing, on input shaft	380157	(13.) Countershaft for laygear
656505	(3.) Gasket	19567	(14.) Needle bearings for laygear (48/car)
191685	(4.) Front oil seal	656138	(15.) Synchronising cone
181120	(5.) Needle bearings for input shaft (14/box)	86713	(16.) Clamping ring for locating key
11013	(6.) Rear bearing M4/M30/M40 ('-66), M41 ('-68)	191497	(17.) Snap ring (thickness 2.0)
11024	(7.) Rear bearing (M40 ('67-'70), M41 ('69-'70))	191498	(17.) Snap ring (thickness 2.1)
		191499	(18.) Snap ring (thickness 2.2)
380800	(8.) Gasket (M30/M40)	656514	(19.) Locating key (3 per box)
380446	(9.) Gasket, rear housing/spacer (M41)	380141	(20.) Locating key (3 per box)
19933	(10.) Rear oil seal (H6/M4/M30/M40, -1966)	191882	(21.) Woodruff key
942350	(11.) Rear oil seal (M40, from 1967-)	380222	(22.) Snap ring See 380398
380192	Oil seal for speedo cable input (included in gasket sets - see later)	380398	(23.) Cam (with snap ring (no. 22) and woodruff key (no. 21))

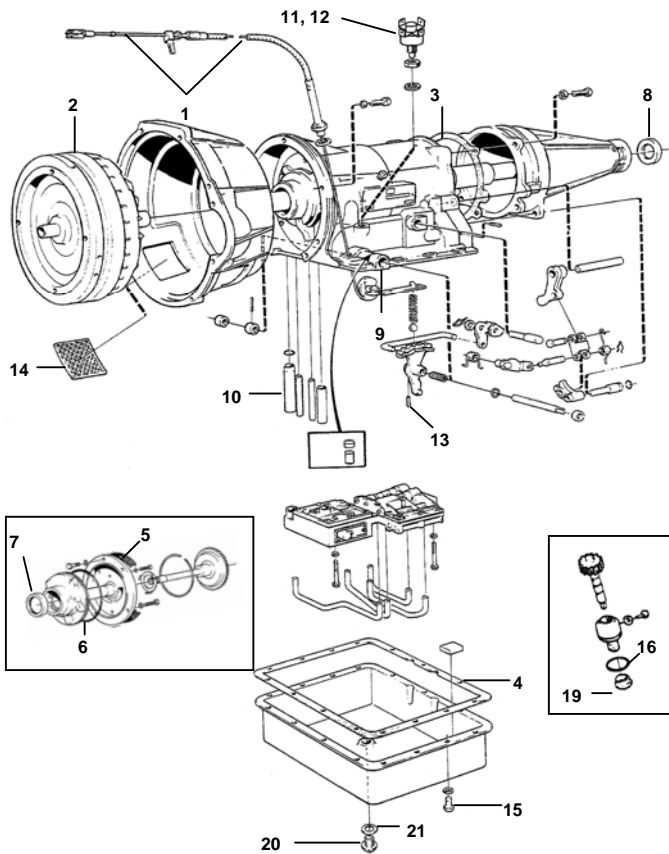


- 380360 (24.) Reversing light switch
- 653190 Gearbox mounting, M40 (genuine)

- 1221967 Gearbox mounting, M41 (R)

Automatic transmission BW35

Copyright © 1972 CVI Automotive



Copyright
CVI Automotive

- 235985 (1.) Kick-down cable
- 669843 Brake pedal rubber, automatic cars (R)

- 235503 (2.) Torque converter, exchange

- 235729 (3.) Gasket, tail housing to main housing See 276502
- 235716 (4.) Sump gasket See 276502
- 235528 (5.) Gasket, behind oil pump body (rear) See 276502
- 276502 Gasket set**

- 235522 (6.) Large O-ring See 276501
- 276501 Rubber and seal ring kit**

- 235517 (7.) Oil seal, front
- 235728 (8.) Oil seal, rear
- 235511 (9.) Oil seal, selector shaft
- 235705 (10.) Tube front pump inlet

- 273432 Spring & circlip set
- 276504 Thrust washer kit
- 273222 Spring kit, valve bodies assembly

- 235512 (11.) Inhibitor switch, 4-pin
- 1220558 (12.) Inhibitor switch, 6-pin

- 235845 (13.) Slotted spring pin
- 235814 (14.) Stone guard
- 955523 (15.) Screw (15 per gearbox)
- 60309 Ball
- 235654 Split pin
- 191117 (16.) O-ring
- 380192 (19.) Oil seal for speedo cable input

- 235699 Transmission filter (front)
- 235700 Transmission filter (rear)

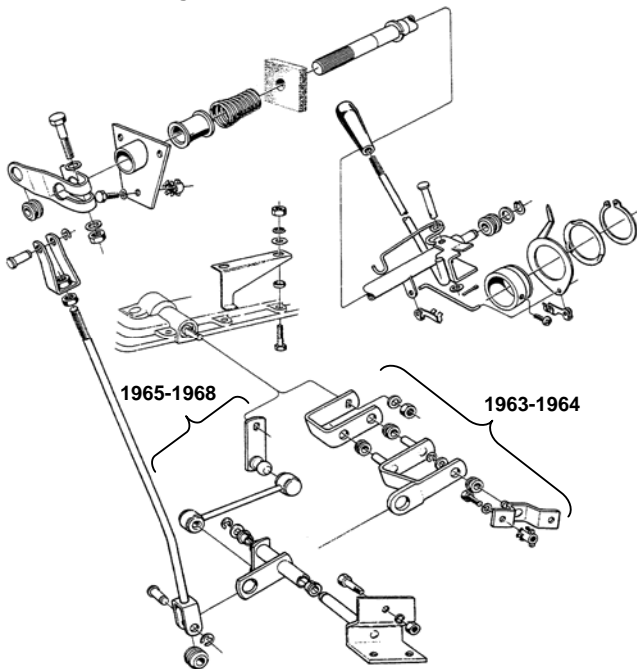
- 952075 (20.) Drain plug (early cars)
- 235859 (20.) Oil drain plug (later cars)
- 238858 (21.) Washer for oil drain plug on later cars

- 662711 Gearbox mounting, BW35

NLA

Manual Control Linkage, BW35

Manual Control Linkage for BW35



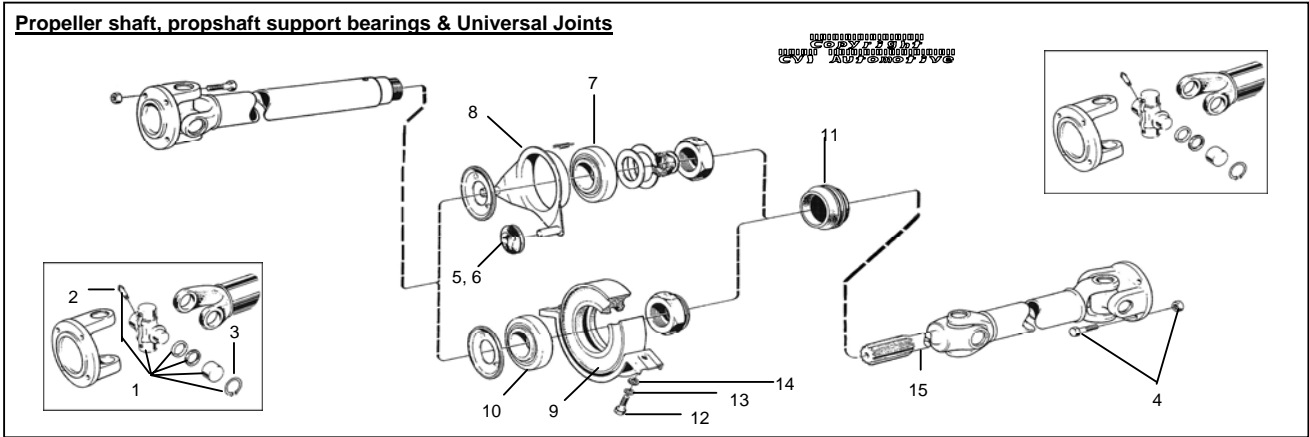
- 663151 Bush, on linkage for auto & column change
- 955895 Washer
- 951075 Circlip
- 914470 Circlip

- 663151 Bush, on linkage for auto & column change
- 663162 Clevis pin
- 951670 Circlip
- 955537 Bolt
- 955895 Washer
- 955827 Nut

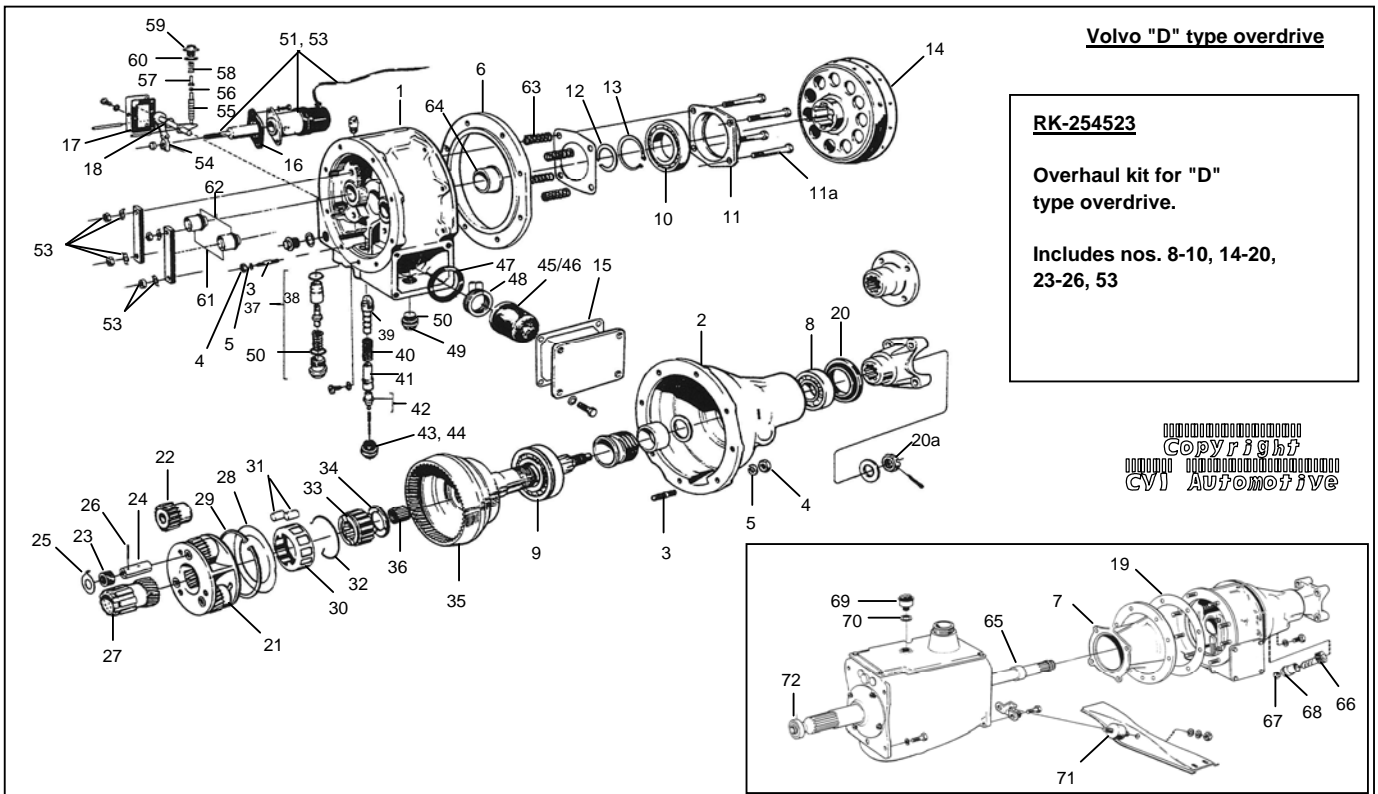
- 666143 Bushing Fitted model years 1963-1964
- 951669 Circlip
- 955894 Washer

- 380189 Bushing Fitted 1965-1968
- 955895 Washer
- 951670 Circlip

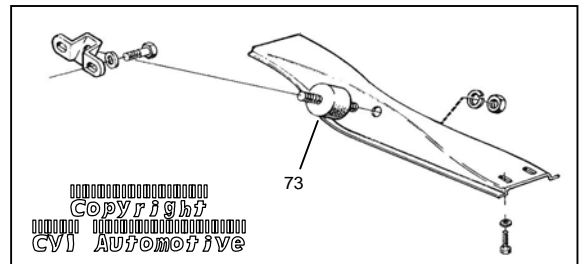
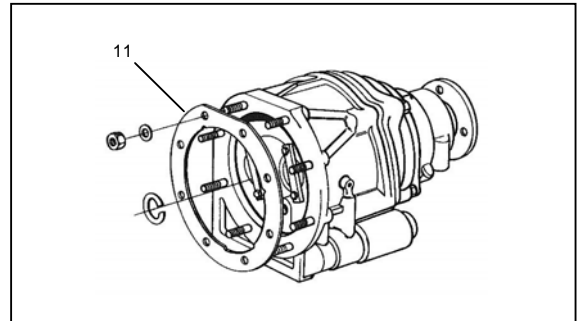
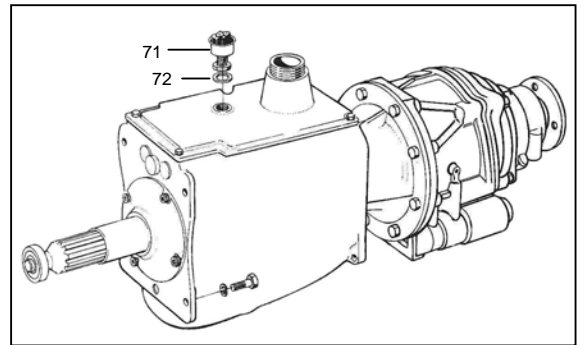
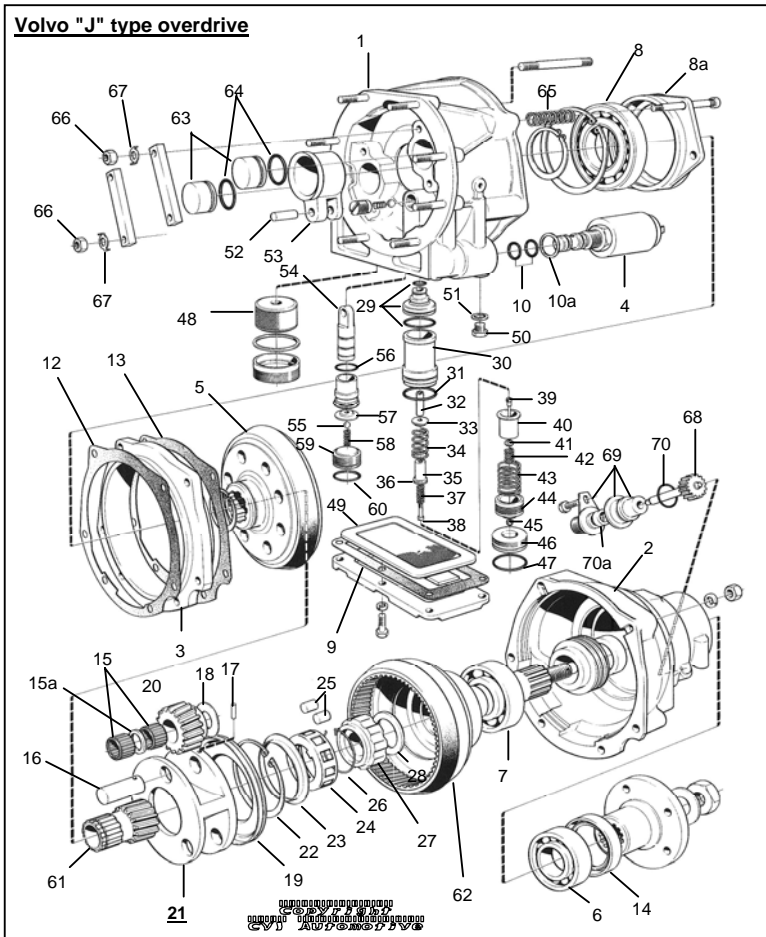
<u>Part #</u>			<u>Part #</u>		
672037	(1.) Universal joint, <u>greasable</u>	(GKN genuine)	675367	(9.) Rubber gaiter, genuine	(1967-1970)
192554	(2.) Grease nipple		181549	(10.) Support bearing	(1967-1970)
118006	(3.) Circlip		675587	(11.) Rubber seal	
1217606	Universal joint, non-greasable (1967-'70) R		955523	(12.) Bolt	
273202	(4.) Fitting kit for 1 flange		955921	(13.) Spring washer	
653192	(5.) Suspension bush, B16 -ch 19225		955894	(14.) Washer	
658653	(6.) Suspension bush, to 1966		656766	(15.) Yoke	
181252	(7.) Support bearing	(1957-1966)			
658516	(8.) Bearing retainer	(1961-1966)			



<u>Part #</u>			<u>Part #</u>	
380250	(1.)	Main casing (early type only)	380411	(35.)
380251	(2.)	Rear casing	380410	(36.)
380293	(3.)	Pin stud (40 mm) (6 per o/d)	380347	(37.)
380294		Pin stud (30 mm) (7 per o/d)	380298	(38.)
380296		Pin stud (36 mm) (2 per o/d)		
380297		Pin stud (28 mm) (1 per o/d)	380243	(39.)
380294-1		Pin stud set (complete for 1 overdrive)	380255	(40.)
955846	(4.)	Nut (16 per o/d)	380270	(41.)
955920	(5.)	Spring washer (16 per o/d)	380262-380411	(42.)
380258	(6.)	Brake ring	380243-1	Oil pump (complete, nos. 39-42)
380183 (380434) 7		Spacer flange between O/D & gearbox NLA	380436	(43.)
181063	(8.)	Bearing, rear	18820	(44.)
380306	(9.)	Bearing, middle	380274	(45.)
380307	(10.)	Bearing, front	380440	(46.)
380268	(11.)	Carrier, for front bearing	380280	(47.)
380273	(11a.)	Bolt	380441	(48.)
380271	(12.)	Circlip	380282	(49.)
380300	(13.)	Circlip	18820	(50.)
380246	(14.)	Cone clutch, relined (exchange)	663961	(51.)
STOM-246		Core charge, clutch (re-paid on return of core)	380617	(53.)
380277	(15.)	Cork gasket, oil filter housing	380249	(54.)
380351	(16.)	Cork gasket, solenoid fitment		
380356	(17.)	Gasket, solenoid inspection cover	380415-1	Operating valve set: (55/56/57/58.)
380291	(18.)	Rubber o-ring, on solenoid lever	380284	(59.)
380186	(19.)	Gasket, main casing to spacer flange	380290	(60.)
380295	(20.)	Oil seal	380275	(61.)
380100		Gasket set (gaskets/O-rings/oil seal)	380299	(62.)
380309	(20a.)	Nut for companion flange	380247	(63.)
380404	(21.)	Planet carrier (complete)		
380408	(22.)	Planet gear set	380403	(64.)
380410	(23.)	Needle bearing in planet gear (6/car)	380398	(65.)
380409	(24.)	Planet shaft (3/car)		
380319	(25.)	Thrust washer (6/car)	380168	(66.)
380320	(26.)	Lock pin (Mills pin) (3/car)		
380409-10		Fitting kit for planet gears (23/24/25/26)	380192	(67.)
380244	(27.)	Sunwheel	191117	(68.)
380413	(28.)	Uni-directional clutch retainer	662292	(69.)
380414	(29.)	UDC circlip	11996	(70.)
380259	(30.)	UDC bearing cage (cone)		
273152	(31.)	UDC roller set		
380257	(32.)	UDC clamping ring	1221967	(71.)
380272	(33.)	UDC inner bearing cone (Now 274043D)	11009	(72.)
380256	(34.)	Thrust washer		



Part # 254561	Overdrive unit, type J ('68-'70), <u>new</u>	Part # 273135	(29.) Seat with seal, relief valve	See 380778-1
273133	(1.) Main (front) casing	380747	(30/31.) Sleeve, for relief valve	See 380778-1
380673	(2.) Rear casing	380768	(31.) O-ring	
380675	(3.) Brake ring	380779	(32-38.) Piston assembly	See 380778-1
380771	(4.) Solenoid (incl. O-rings)	380779F	(37.) Spring (small)	
380689	(5.) Cone clutch (Exchange!)	380778	(39-45.) Piston, under 380779	See 380778-1
STOM-689	Core charge, clutch (re-paid on return of core)	380770	(47.) O-ring	
11013	(6.) Bearing, rear	380778-1	Relief valve (nos. 29-45 on diagram)	
181092	(7.) Bearing, middle	271454	Relief valve (current modified type, w plug)	
380693	(8.) Bearing, front	380729	(48.) Oil filter	
380694	(8a.) Bearing carrier	380719	(49.) Oil strainer	
380720	(9.) Gasket, oil sump	380672	(50.) Pressure plug	
380772	(10.) O-ring, on solenoid, small	18665	(51.) Gasket	
380773	(10a.) O-ring, on solenoid, large	380721	52/53/54 Oil pump piston (with slide and pin)	
380618	(11.) Gasket between O/D and gearbox	380725	Sleeve, for oil pump	
380674	(12.) Gasket, in frt of brake ring	190611	(55.) Ball	} 273134-1
380676	(13.) Gasket, behind brake ring	380766	(56.) O-ring	
380684	(14.) Oil seal (Stefa genuine)	273134	(57/58.) Seat + spring, non-ret. valve	
380101	Gasket set (gaskets/O-rings/oil seal)	380726	(59.) Plug, incl. O-ring	
		380767	(60.) O-ring (loose)	



380707	(15.) Needle bearing for planetary gear	See kit	380699	(61.) Sunwheel	
380709	(16.) Bearing pin (3/car)	See kit	380679	(62.) Annulus	Call
380763	(17.) Lock pin (3/car)	See kit	6814454	(63.) Operating piston, incl. O-ring	380698
380707-1	Fitting kit, compl. planet gr. assembly (incls. nos. 15, 15a, 16, 17, 18)		6814455	(64.) O-ring	380756
380704	(19.) Oil catcher, behind planet gear carrier		273151	(65.) Spring set	
380706	(20.) Planet gear	Call	380887-1	(66/67.) Lock nut (replaces 955846 & 380303)	
380705	(21.) Planetary carrier (complete) (27%)		380753	(68.) Speedo pinion	
380714	(22.) UDC (uni-directional clutch) retaining circlip		380751	(69.) Pinion bearing, + connector, bracket, oil seal	
380713	(23.) UDC oil slinger		380757	(70.) O-ring	
380712	(24.) UDC bearing cage (retainer)		380752	(70a.) Oil seal	
273152	(25.) UDC roller set	} 274043 UDC (complete)	662292	(71.) Inhibitor switch, on gearbox lid	
380257	(26.) Clamping ring		11996	(72.) Copper sealing washer	
380711	(27.) UDC inner bearing cone				
380715	(28.) Thrust washer		1221967	(73.) Gearbox mounting, M41	(R)

Wheel bearings, oil seals, brake drums

Type 1 (early sedan with ENV axle)

Part #			
659453	(1.)	Drive shaft (type 1, early ENV)	NLA
19577	(2.)	Rear wheel bearing	
114046	(3.)	Oil seal	
673788	(4.)	Gasket (2/wheel)	
673791	(5.)	Oil seal, outer (includes felt ring 19246)	
19246	(6.)	Felt ring	
CVI-609	(2-6)	Wheel bearing kit, for early ENV	

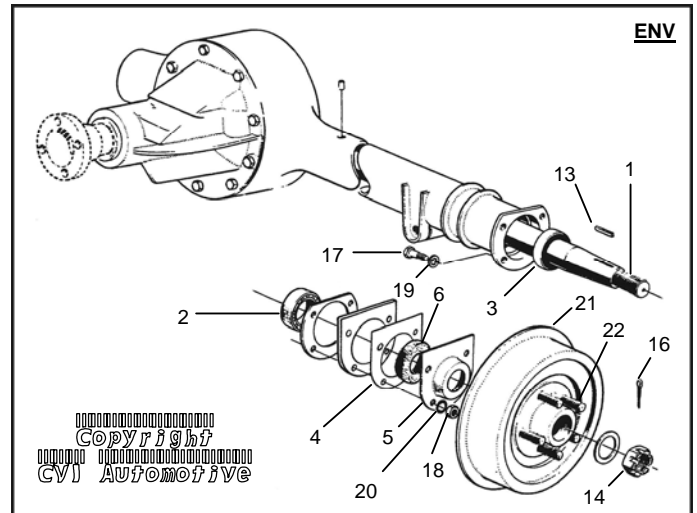
Type 2 (early P220 station wagon (various ch. nos. up to 1966))

89749/668625		Drive shaft for early P220 station wagon	NLA
19577	(2.)	Rear wheel bearing	
114275	(3.)	Oil seal (on certain P220 only, up to '66)	
673788	(4.)	Gasket (2/wheel)	
673791	(5.)	Oil seal, outer (replaces seal 89251)	
19246	(6.)	Felt ring (NB included in oil seal above)	
CVI-621	(2-6)	Wheel bearing kit, various P220 -'66	

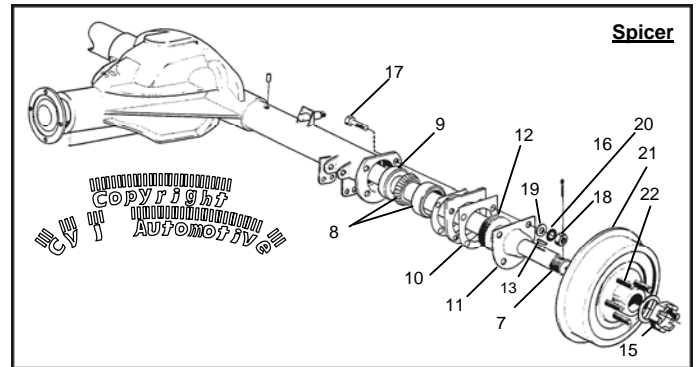
Type 3 (P220 (1966-), all sedan with Spicer axle, late ENV)

89679 (HD)	(7.)	Drive shaft	NLA
181217/18118	(8.)	Rear wheel bearing	
192550	(9.)	Oil seal	
673788	(10.)	Gasket (2/wheel)	
673791	(11.)	Oil seal, outer (includes felt ring 19246)	
19246	(12.)	Felt ring	
CVI-605	(8-12)	Wheel bearing kit, type 3	

160553	(13.)	Key (not early P220)	
10506	(14.)	Castellated nut (type 1, early ENV)	
153031	(15.)	Castellated nut (type 2 & type 3)	
191174	(16.)	Split pin	
955676	(17.)	Bolt	
955848	(18.)	Nut	
940097	(19.)	Washer	
955950	(20.)	Star washer	
FK-009		Fitting kit for 1 brake backplate (17-20.)	

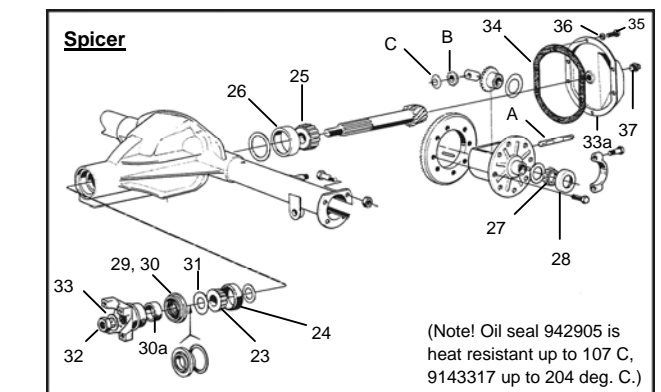


Part #		
673797	(21.)	Brake drum, genuine (with hub & wheel bolts)
654490	(22.)	Wheel bolt
87699		Wheel nut
9991791R		Hubpuller, to remove brake drum (repro.)

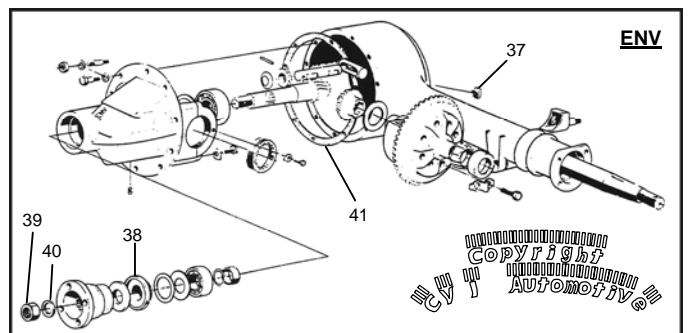


Pinion & Differential carrier bearings, M27/M30 (sedan, Spicer): Pinion oil seal (all)

Part #			
181301-02	(23.)	Inner cone, pinion (front)	
	(24.)	Outer cup, pinion (front)	
181303-04	(25.)	Inner cone, pinion (rear)	
	(26.)	Outer cup, pinion (rear)	
181305-06	(27.)	Inner cone, differential (2/car)	M27
	(28.)	Outer cup, differential (2/car)	M27
	(27.)	Inner cone, differential, B20	M30
	(28.)	Outer cup, differential, B20	M30
942905	(29.)	Pinion oil seal, Spicer (original genuine - NBR)	
9143317	(30.)	Pinion oil seal, Spicer (current genuine - Viton)	
81388	(30a)	Dust slinger, Spicer axles	
RH - SPICER		Repair sleeve, for sealing surface on pinion	
80506	(31.)	Oil deflector, behind oil seal (Spicer)	
88726	(32.)	Nut for companion flange, Spicer	
80513	(33.)	Washer	NLA
89691	(33a.)	Rear inspection cover (Spicer)	
89254	(34.)	Gasket for rear cover, Spicer	
955523	(35.)	Bolt for rear cover, Spicer (10/car)	
955921	(36.)	Spring washer (10/car)	
952359	(37.)	Oil filler plug, Spicer & ENV	
88391	(38.)	Pinion oil seal, ENV (R)	
RH - ENV		Repair sleeve, for sealing surface on pinion	
950388	(39.)	Nut for companion flange, ENV	
955900	(40.)	Washer	
87670	(41.)	Gasket between front & rear casing, ENV	



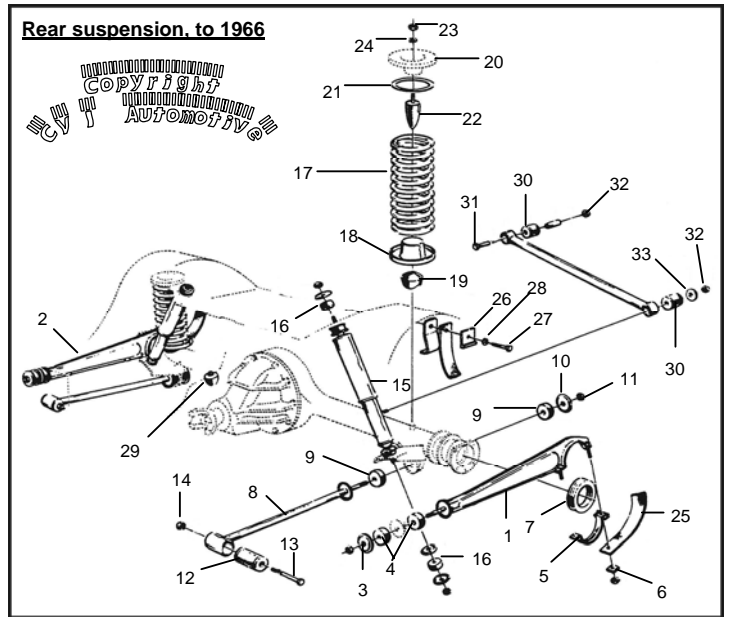
384201	(A)	Pivot pin	(Spicer B20)
384204	(B)	Differential side gear	(Spicer B20)
384209	(C)	Thrust washer	(Spicer B20)



- Part #**
- 653442 (1.) Suspension arm, outer lhs (genuine)
- 653443 (2.) Suspension arm, outer rhs (genuine)
- 653448 (3.) Washer
- 653448-X Pressed stainless washer on body
- 653461 (4.) Front rubber bush (4/car)
- 653461-HR (4.) Front rubber bush (harder rubbe (4/car)
- 950394 (6.) Nut for clamp
- 653460 (7.) Rubber ring around axle (ENV)
- 663972 (7.) Rubber ring around axle (SPICER)
- 667581 (8.) Torque rod (from approx. March '63)
- 653168 (9.) Rear rubber bush (4/car)
- 653168-HR (9.) Rear rubber bush (harder rubbe (4/car)
- 667535 (10.) Washer
- 667535-X Pressed stainless washer on body
- 950356 (11.) Lock nut
- 662797 (12.) Front silentbloc, torque rod
- 955568 (13.) Bolt for silentbloc
- 950366 (14.) Nut
- 276480 (15.) Shock absorber, rear (genuine) } 2 per car
- BIL AR Bilstein gas shock, rear
- 670129 (16.) Rubber cushion, for shock abs. location
- 653163 (17.) Rear spring (genuine)
- 659154 (18.) Spring seat, lower
- 667686 (19.) Rubber cushion, under spring seat
- 659325 (21.) Rubber insert

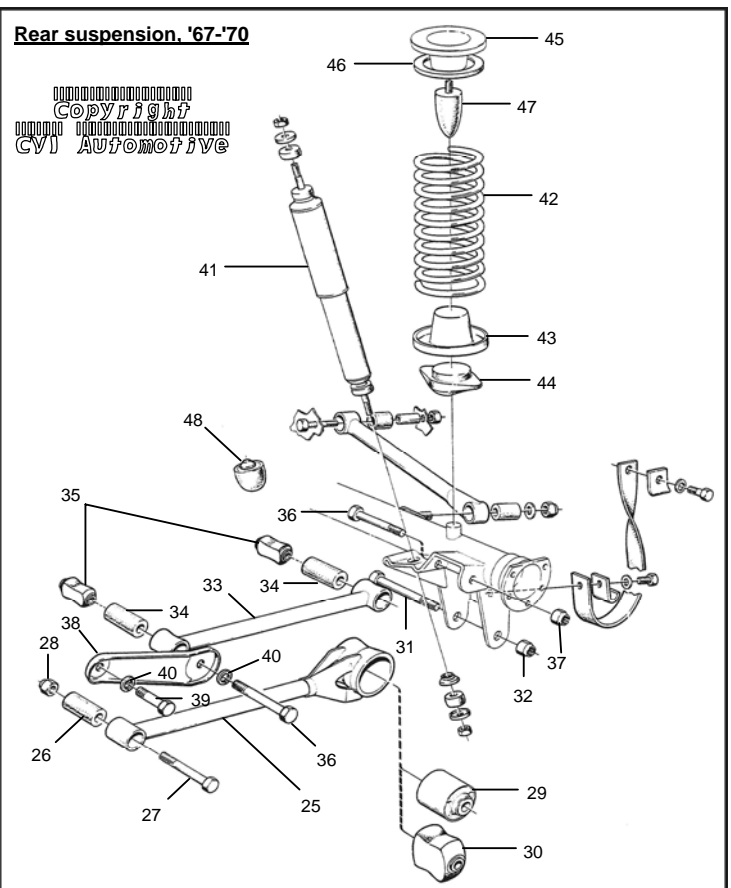
- Part #**
- 83108 (22.) Rubber buffer above spring (genuine)
- 955922 (24.) Spring washer
- 672251 (25.) Check strap
- 89818 (26.) Shaped washer
- 940115 (27.) Bolt
- 940108 (28.) Spring washer
- 83107 (29.) Rubber cushion (genuine)
- 87033 (30.) Rubber bush for P'hard rod (genuine)
- 955565 (31.) Bolt
- 950366 (32.) Nut
- 120802 (33.) Washer

653184-S Lowering kit (4 spring kit - lowers ca 30mm)



REAR AXLE SUSPENSION, SEDAN, 1967-1970

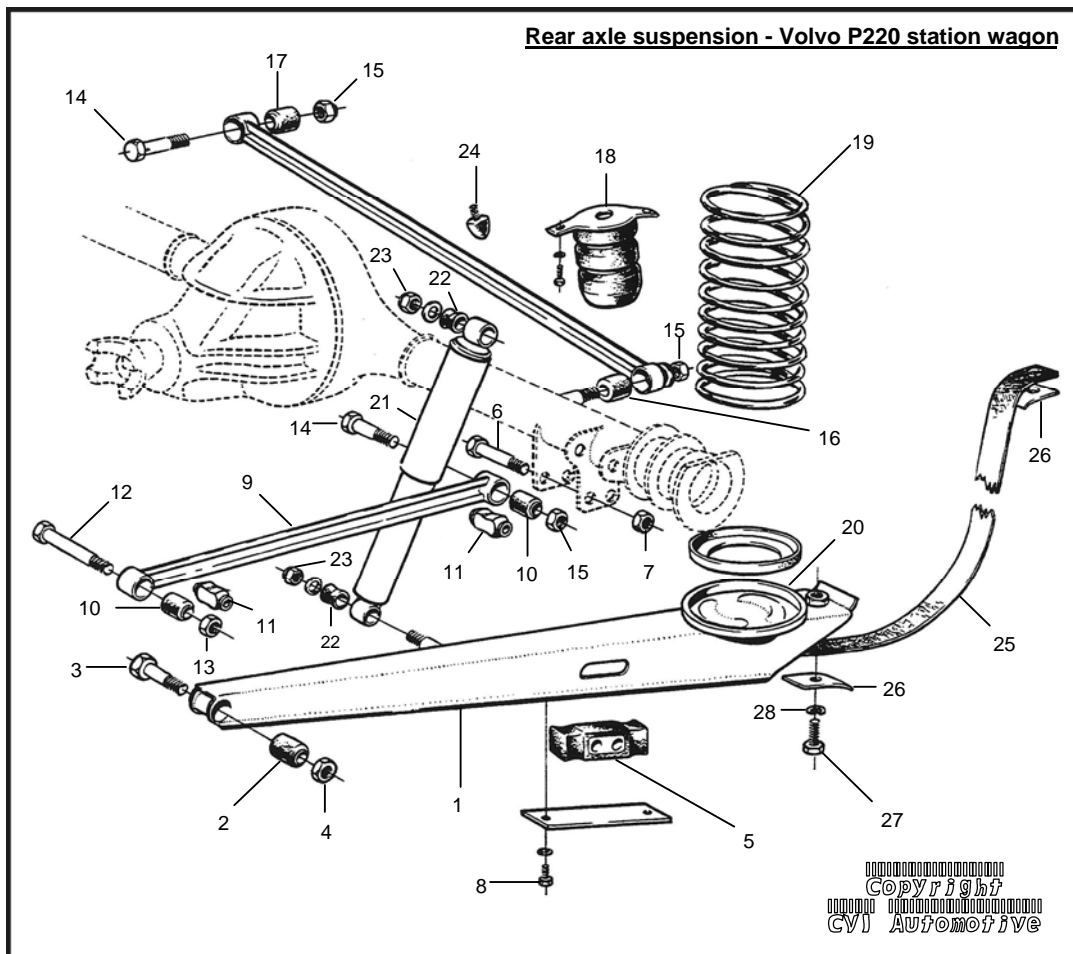
- Part #**
- 671997 (25.) Suspension arm (P120. P130 (even GT '67)) See 672609/10
- 672609 (25.) Susp. arm, w. bushes (P130 not GT or B20B)
- 672610 (25.) Susp. arm, w. bushes (GT ch 280979-, B20B)
- 672609-1 (25.) Suspension arm, supplied without bushes
- 662797 (26.) Bush, front
- 955569 (27.) Bolt
- 950356 (28.) Nut
- 675771 (29.) Bush, rear (only for arm 671997. (genuine)
- 676914 (30.) Bush, rear (for 672609/10)
- 678887 (30.) Bush, rear (harder type, std. on '68 GT) (R) Use 676914
- 941858 (31.) Bolt
- 950377 (32.) Nut
- 671996 (33.) Torque rod (4-dr, 2-dr to ch. 280978) Use 672616
- 672616 (33.) Torque rod (2-dr from ch. 280979 (1968-'70)
- 672226 (34.) Bush, front & rear (for 671996)
- 678790 (35.) Bush, front & rear (for 672616)
- 955569 (36.) Bolt for above (front and rear)
- 950356 (37.) Nut
- 672031R (38.) Bracket (R)
- 955560 (39.) Bolt for bracket (front)
- 940280 (40.) Spring washer



- Standard shock absorbers + panhard rod parts See above**
- 276553 (41.) Shock absorber kit, rear (123GT (2/car)
 - 672214 (42.) Rear spring (genuine)
 - 659154 (43.) Spring seat, lower
 - 667686 (44.) Rubber cushion, under spring seat
 - 659325 (46.) Rubber insert
 - 83108 (47.) Rubber buffer, above spring (genuine)
 - 83107 (48.) Rubber cushion (genuine)

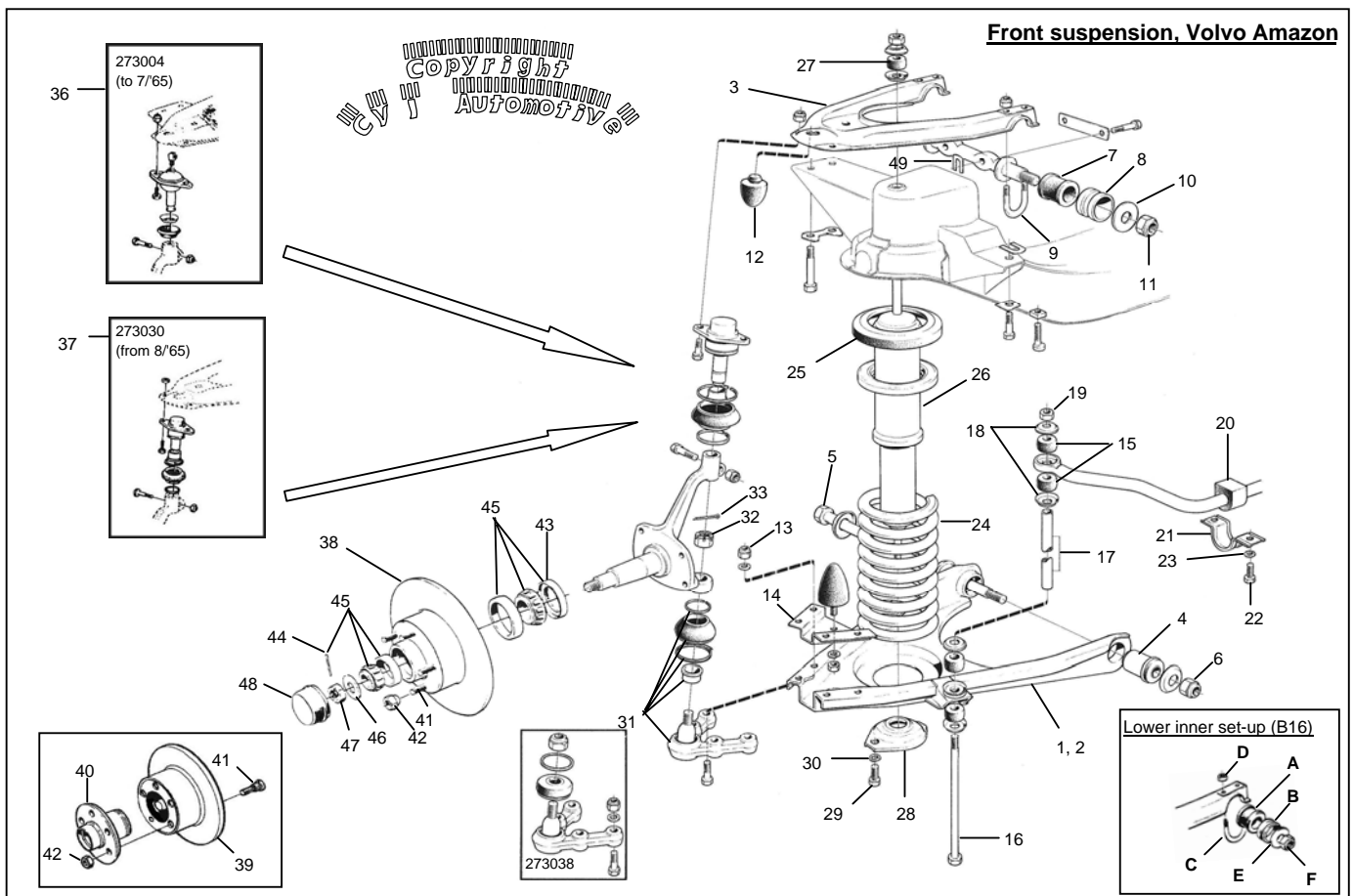
<u>Part #</u>		<u>Part #</u>	
660644	(1.) Suspension arm, lh (absolute top quality)	666416	(16.) Panhard rod bush, axle end
660645	(1.) Suspension arm, rh (absolute top quality)	662797	(17.) Panhard rod bush, body end
660644-R	(1.) Suspension arm, lh (fully functional)	666905	(18.) Hollow rubber spring
660645-R	(1.) Suspension arm, rh (fully functional)	659423	(19.) Spring (standard - genuine)
662797	(2.) Bush, front	669927	(19.) Spring (heavy-duty)
955568	(3.) Bolt	660873	(20.) Spring seat (use for upper & lower)
950366	(4.) Nut (special low nut)	273347	(21.) Shock absorber + fittings (2/car, genuine)
660112	(5.) Suspension bush (standard)	669220	(22.) Rubber bush, for shock absorber fitting
660112-HR	(5.) Suspension bush (heavy-duty)	950366	(23.) Nut (special low nut)
955587	(6.) Bolt for bush	83107	(24.) Rubber buffer, on body
950367	(7.) Nut	660108	(25.) Check strap
955534	(8.) Bolt	89818	(26.) Shaped washer
672613	(9.) Torque rod, from ch. 63039	940114	(27.) Bolt
672226	(10.) Bush, torque rod, - ch 63038	940108	(28.) Spring washer
678790	(11.) Bush for torque rod, from ch. 63039		
191812	(12.) Bolt, front		
950366	(13.) Nut (special low nut)		
955568	(14.) Bolt, on rear of torque rod, & Panhard rod		
950366	(15.) Nut (special low nut)		

Brake drum and rear wheel bearing See "Rear axle" – page 32



P220-RAC Modifying kit, to mount Amazon sedan rear axle to Amazon station wagon

Part #	Pos.		Part #	Pos.	
671351	(1.)	Lower wishbone (lh)	276479	(26.)	Shock absorber std.(genuine 2/car
671352	(2.)	Lower wishbone (rh)	276552	(26.)	Shock absorber (123 GT) 2/car
671440	(3.)	Upper wishbone (from August 1965)	BIL AF	(26.)	Bilstein front gas shock absorber (2/car)
87033	A	Lower inner wishbone bush, B11 (genuine)	670129	(27.)	Rubber cushion, shock absorber fitting
653410	B	Sleeve (genuine)	660088		Lower anchorage, early type
653409	C	U bolt (genuine)	672228	(28.)	Lower anchorage, late type
953054	D	Lock nut	955523	(29.)	Bolt
120802	E	Washer	955949	(30.)	Lock washer
950366	F	Lock nut, outer			
663675	(4.)	Lower inner wishbone bush, B18/B20			
192113	(5.)	Bolt for bush (long)	273038	(35.)	Lower ball-joint kit (with fitting bolts, for 1 side)
950357	(6.)	Nut	273004	(36.)	Upper ball-joint kit, to July 1965 <i>(New! Now in old-style genuine with lubricator nipple on top)</i>
87033	(7.)	Upper inner wishbone bush (all) (genuine)	273030	(37.)	Upper ball-joint kit, from August 1965
653410	(8.)	Sleeve (genuine)			<i>(Note: ball-joint kit means ball-joint and fitting components)</i>
653409	(9.)	U bolt (genuine)			
953054	(9a.)	Lock nut			
120802	(10.)	Washer			
950366	(11.)	Lock nut (special low nut)			
83107	(12.)	Rubber cushion, upper wishbone (genuine)	666525	(38.)	Brake disc (rotor), (genuine, with hub & bolts)
83108	(13.)	Rubber buffer, lower wishbone (genuine)	657874	(41.)	Wheel bolt
653330	(14.)	Bracket	87699	(42.)	Wheel nut
83125*	(15.)	Anti-roll bar bush (8 per car)			
106841*	(16.)	Bolt for anti-roll bar	88640	(43.)	Inner grease seal
654049*	(17.)	Spacer tube	907849	(44.)	Split pin
83126*	(18.)	Washer			
955826*	(19.)	Nut	273160	(45.)	Wheel bearing kit (1 wheel) (includes 88640)
*273239		Anti-roll bar kit, 1 side (15.-19.) (genuine)	1161241		Tube of grease (80 g - genuine)
657839	(20.)	Anti-roll bar bush, front (2 per car)	87464	(46.)	Thrust washer
672217	(21.)	Clamp	153042	(47.)	Nut
940114	(22.)	Bolt	87465	(48.)	Grease cap
955950	(23.)	Lock washer			
653184	(24.)	Spring (genuine)	654106	(49.)	Adjuster shim, thickness 0,15
653642	(25.)	Rubber seal, on spacer washer	654107	(49.)	Adjuster shim, thickness 0,50
			654105	(49.)	Adjuster shim, thickness 1,00
			658769	(49.)	Adjuster shim, thickness 3,00
			658770	(49.)	Adjuster shim, thickness 6,00
653184-S		Lowering kit (4 spring kit - lowers ca 30mm)			



- 250085 (ER (1.) Steering-box (LHD), 1959-1967 (exchange)
- 250086 (ER (1.) Steering-box (RHD), 1959-1967 (exchange)
- 250135 (ER (1.) Steering-box (LHD), 1968-1970 (exchange)
- 250136 (ER (1.) Steering-box (RHD), 1968-1970 (exchange)

- 654011 (2.) Sealing collar, on steering column
- 669870 (3.) Rubber disc (coupling), to 1967

- 673060 (4.) Steering column bush, 1968-70 (2/car)

- 114271* (5.) Oil seal, lower
- 678249* (6.) Oil seal, upper (Stefa double-lipped genuine)

- 659214 (7.) Lid (1959-1967)
- 180764 (8.) Oil filler plug (1957-1967)
- 678240 (7.) Lid (1968-1970)
- 678241 (8.) Oil filler plug (1968-1970)

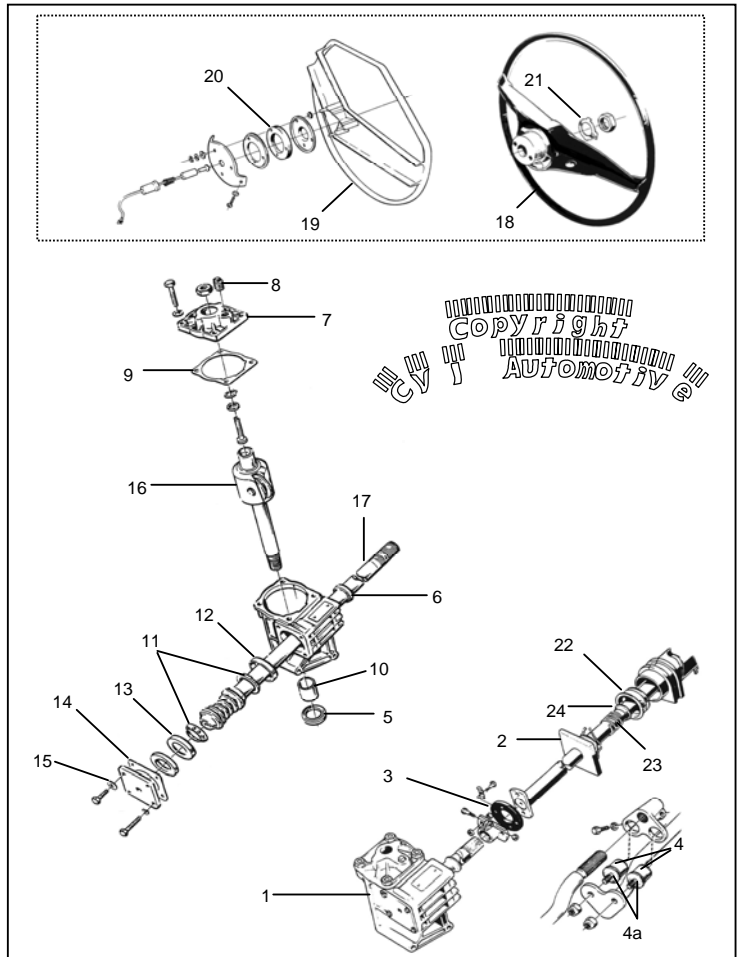
- 656704* (9.) Gasket under lid
- 85627* (10.) Bush for Pitman arm shaft (2/car)
- 85618 (11.) Bearing
- 85616 (12.) Bearing cup, upper
- 85617 (13.) Bearing cup, lower
- 656707* (14.) Adjuster shim, 0.10 thickness 54929
- 656708* (14.) Adjuster shim, 0.12 thickness 54929
- 656709/10 (14.) Adjuster shim, 0.15/0.30 thickness 54929
- 190296* (15.) Lock washer, with bendable tab 54929
- *54929 Steering-box re-bushing set (complete)**
- 54929-1 Steering-box set (less shims/tab washers)**

- 662349 (16.) Pitman arm shaft (LHD) Call
- 662350 (16.) Pitman arm shaft (RHD) Call
- 662347 (17.) Steering worm, LHD (up to 1967) Call
- 662348 (17.) Steering worm, RHD (up to 1967) Call
- 673042 (17.) Steering worm, LHD (1968-1970) Call

- 670003-B (18.) Steering-wheel: good second-hand NLA

- 9992263 Steering-wheel removal tool, to 1966 (R)
- 9992264 Steering-wheel removal tool, '67-'70 (R)

- 654415-B (19.) Horn ring (good used), to 1967 NLA
- 654653 (20.) Insulating washer 85611
- 671430 (21.) Lock washer, for steering-wheel nut 85612



- 85611 (22.) Bearing
- 85612 (23.) Spring
- 85613 (24.) Seat

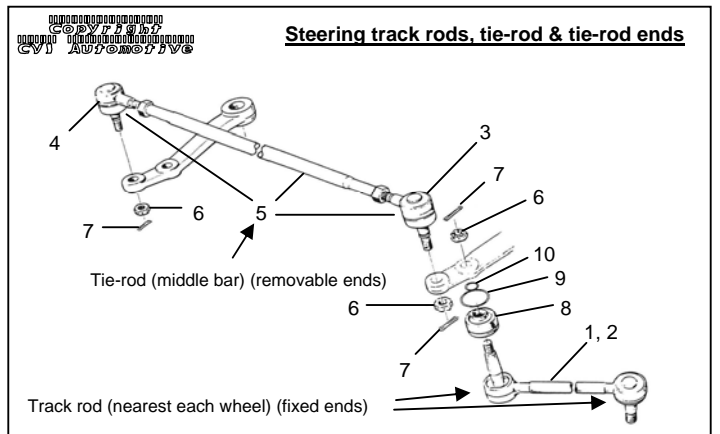
STEERING TRACK RODS AND TIE-RODS

- Part #**
- 658596 (1.) Track rod (lhs)
 - 658597 (2.) Track rod (rhs)

 - 658431 (3.) Tie-rod end (lhs) (lh thread)
 - 658432 (4.) Tie-rod end (rhs) (rh thread)

 - 660979-1 (5.) Tie-rod (complete with tie-rod ends)
 - 190573 (6.) Castellated nut (included on track/tie rods)
 - 907824 (7.) Split pin

 - 670877 (8.) Rubber dust cover, with 9/10



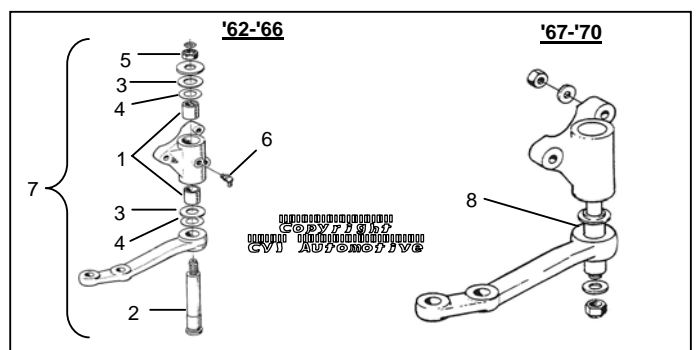
- Part #**
- 54928 Repair kit for early idler arm (to 1961) Call

 - 663709 (1.) Bush for idler arm ('62-'66)

 - 666402 (2.) Shaft
 - 669255 (3.) Vulcollan washer
 - 190702/11/192490 (4.) Shims (thickness 0.10/0.15/0.35) Call
 - 950356 (5.) Nut
 - 914170 (6.) Grease nipple
 - 276521 (7.) Repair kit for idler arm (1962-1966)**

 - 671444 (8.) Bush for idler arm, 1967-'70 (genuine)
 - 671444-1 (8.) Bush for idler arm (R)

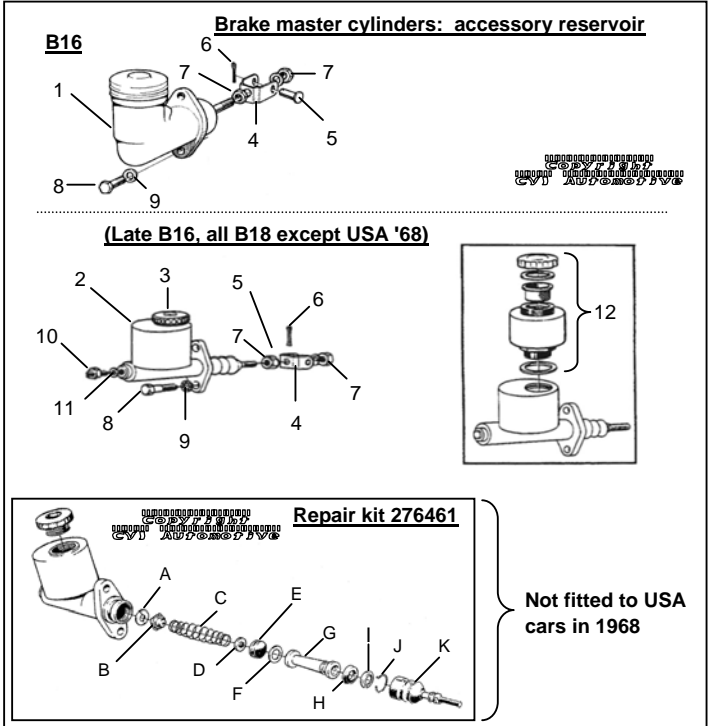
IDLER ARM



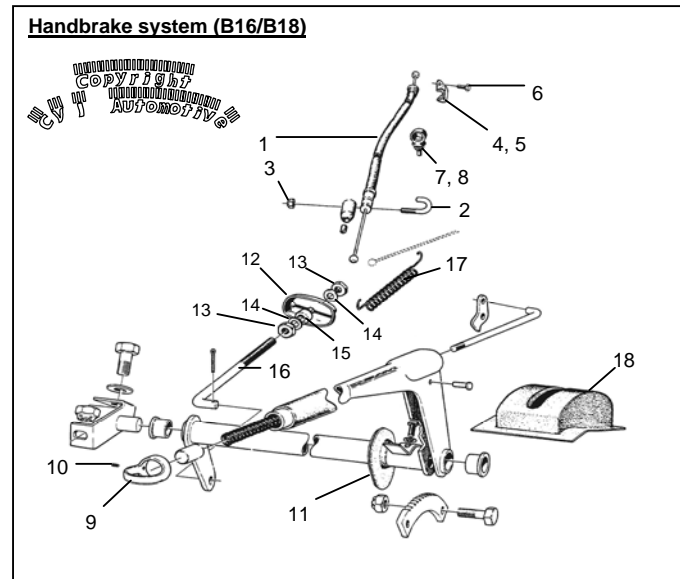
Brake master cylinders and Repair kits

Part #

- 655879 (1.) Brake master cylinder, B16, ch. 160- 64859 NLA
276405 Repair kit for B16 cylinder (genuine)
 - 662186 (2.) Brake master cylinder, B18 (B16 ch 64860-)
 - 666144 (3.) Filler cap (included with 662186)
 - 276461 Repair kit, genuine, no piston (A-F + H-K)
 - 276461-X Repair kit, genuine & complete (A-K)
 - 276461-1 Rep. kit (seals+valve genuine) (B, E, F, H, K)
- (NB.: 276461 -1 is what most of our competitors offer, but not with genuine parts. Seal H is also included in both early and late format - early is narrower than late type where it fits on the piston)
- 64947011 Red brake cyl. grease for cylinder overhaul
 - 672425 Brake light switch (R)
 - 672917 (4.) Yoke (renew if bolt holes are oval)
 - 913128 (5.) Clevis pin
 - 907824 (6.) Split pin
 - 955847 (7.) Nut
 - 940135 (8.) Bolt
 - 955949 (9.) Lock washer
 - 190279 (10.) Screw union
 - 18665 (11.) Copper washer
 - 672769 (12.) Accessory reservoir, complete (R)
(semi-transparent - easy fluid level detection!)



Handbrake system B16/B18



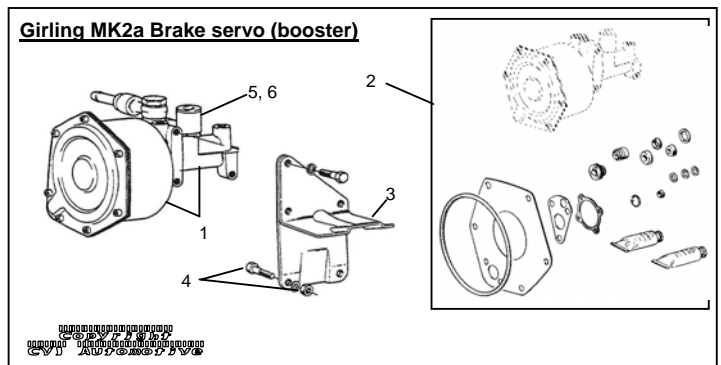
- 656752 (1.) Handbrake cable (B16 -ch 15238)
- 682921 (1.) Handbrake cable, genuine (late B16/B18/B20)
- 80969 (2.) Clamp (U-bolt), cable to body
- 950373 (3.) Lock nut
- 658843 (4.) Clamp, cable to backplate, lh (stainless)
- 658844 (5.) Clamp, cable to backplate, rh (stainless)
- 191260 (6.) Screw
- 656785 (7.) Rubber grommet for cable (B16 -ch 54399)
- 661428 (8.) Rubber holder for cable (late B16 + B18/B20)
- 660651 (9.) Plastic brace on handbrake lever
- 191030 (10.) Screw
- 653608 (11.) Rubber seal
- 666418 (12.) Draw brace
- 955826 (13.) Nut
- 955894 (14.) Washer
- 667889 (15.) Spacer sleeve
- 666419 (16.) Pull rod
- 653625 (17.) Return spring
- 669582 (18.) Handbrake lever gaiter (grey), up to 1964
- 670876 (18.) Handbrake lever gaiter (black), (1965 - 1970)

NLA

Brake servos (boosters) and Repair kit

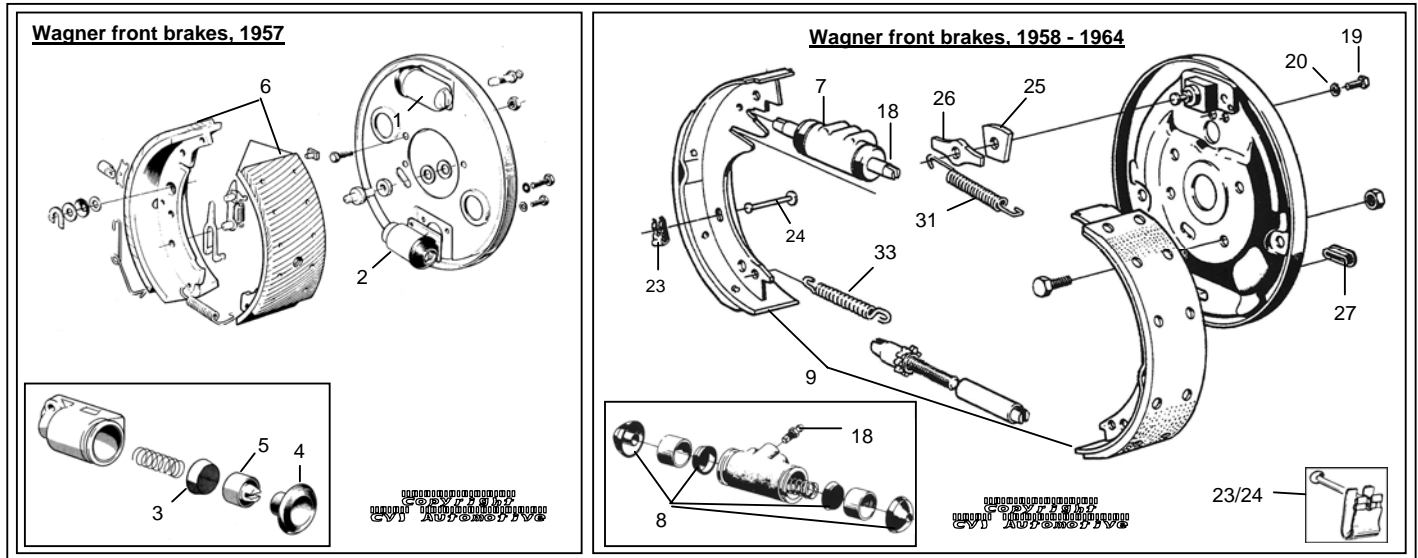
Part #

- 670921(ER) (1.) Brake servo, Girling (exchange) NLA
See below for alternatives
- 276556 (2.) Repair kit, Girling servo (with instructions)
- 663713 (B) (3.) Bracket, for fitting of Girling servo
- FK-670921 (4.) Fitting kit, bracket to wheel housing
- 671076 (5.) Air filter, Girling servo
- 671077 (6.) Air filter cover, Girling servo
- 662775 **Main piston for vacuum chamber - rebuilt with modern type seal to replace leather!**
Sold on exchange basis only
- 669590 Valve on "T"-piece NLA
- 942464 Servo hose
- 6894157 **Lockheed servo kit (see website for details)**
(replaces original Girling servo 670921)

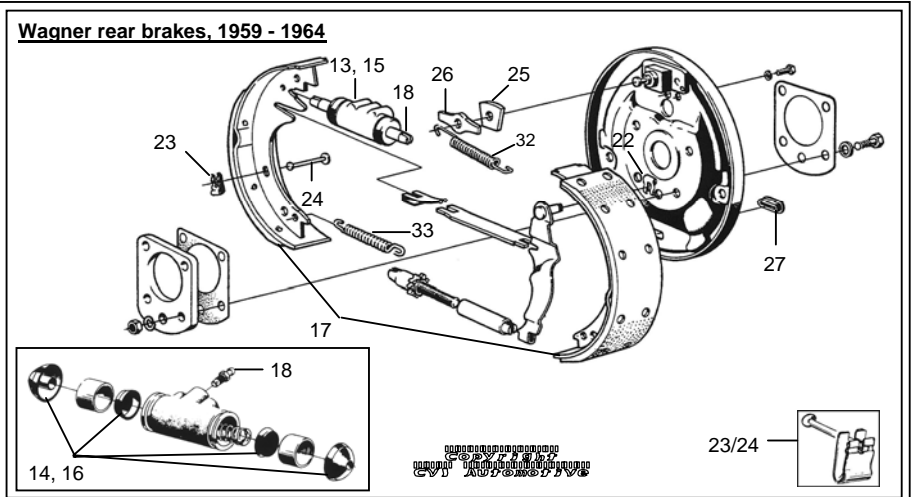
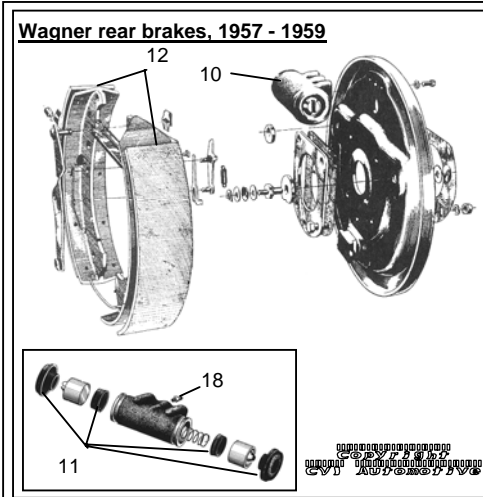


Part #

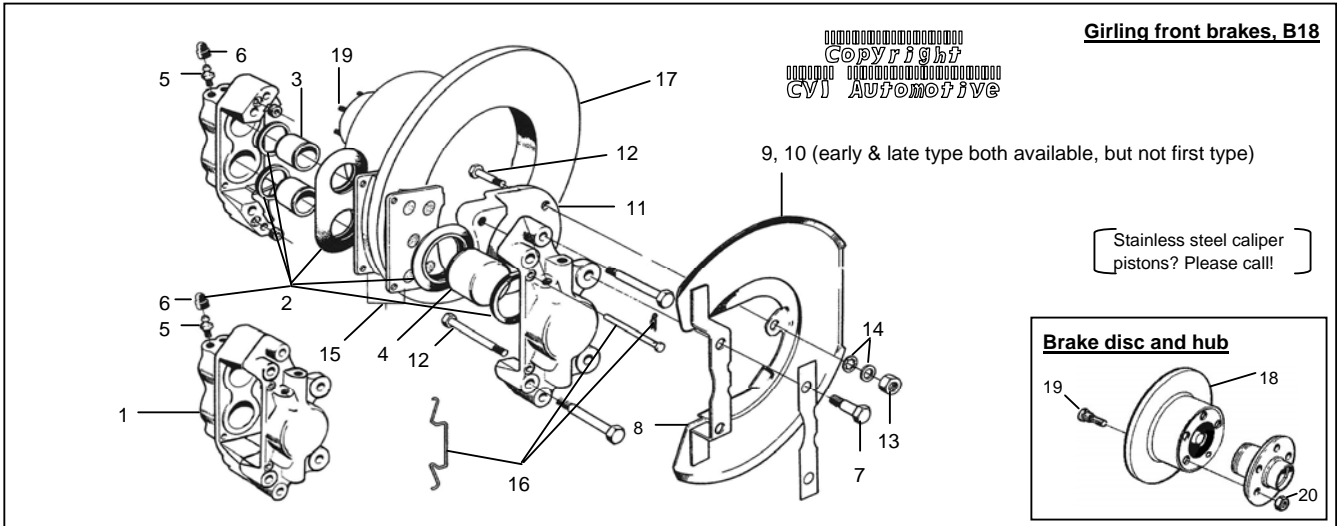
Wagner Lockheed System: Drum Brakes all round (121 -1964, 122S -1961)



655671/72	(1/2.) Wheel cylinder, front, lh/rh up to ch. 15238	Call	FK-015	Fitting kit, front backplate	
87455	(3.) Inner seal		FK-009	Fitting kit, rear backplate	
87461	(4.) Outer dust cover				
87454	(5.) Piston	NLA	64947012	Copper paste for fitting brake shoes (2 oz)	
5001139	(6.) Brake shoe set, front ('57-'59), -ch# 15238	NLA			
659673	(7.) Wheel cylinder, front, from ch. 15239		659663K	(23/24) Guide pin and clip set (1 axle)	
273022	(8.) Repair kit (with return spring)				
271812	(9.) Brake shoe set, front, from ch. 15239				
87451	(10.) Wheel cylinder, rear, up to ch. 15238				
273021	(11.) Repair kit (with return spring)				
275800	(12.) Brake lining set, rear (with rivets) ('57-'59)				
659683	(13.) Wheel cylinder, rear, ch. 15239-78484		669916	(25.) Guide washer (arrow must point forwards)	
273023	(14.) Repair kit (with return spring)		659670	(26.) Retainer	NLA
			659672	(27.) Rubber plug, for adjuster hole	
667166	(15.) Wheel cylinder, rear, from ch 78485		273172	Guide pin kit: 659663/64 + 669916 + 659672	
273024	(16.) Repair kit (with return spring)		273173	Guide pin kit: 659663/64 + 669916 + 659672 + 667160-1	
271813	(17.) Brake shoe set, rear, from ch. 15239				
64947011	Red brake cyl. grease for cylinder o'haul		659694	(31.) Return spring, upper (front brakes only)	NLA
87462	(18.) Bleed nipple (for all cylinders)		667160	(32.) Return spring, upper (rear brakes only)	
656456	Rubber dust cover, for bleed nipple		659668	(33.) Return spring, lower (front and rear brakes)	
659676	(19.) Pushrod (2/cylinder)		667160-1	Return spring set, rear (6 pcs.)	
955512	(20.) Screw, wheel cyl. to backplate		653820	Brake hose, front	
955920	(21.) Lock washer		87695	Brake hose, rear	
			18651	Copper washer, for brake hoses	
88830	(22.) Clip, for handbrake lever on rear shoe		80939	Lock fork (R)	
673797	Brake drum (rear), genuine (with hub)		9991791R	Hub-puller, for removal of rear drum	
654490	Wheel bolt		666176	Pedal rubber	
87699	Wheel nut				



Girling System: Discs front (Drums rear) (121 65-'68, 122S '62-'68, 123 GT '67-'68)



Part #

- 670728 (1.) Brake caliper, exchange reconditioned, lhs
- 670729 (1.) Brake caliper, exchange reconditioned, rhs
(NB. Refundable core charge must be added)
- 276489 (2.) Repair kit (seals) for 2 calipers
- 664823 (5.) Bleed nipple
- 656456 (6.) Dust cover
- 667593 (3.) Piston, small (2/caliper)
- 667592 (4.) Piston, large (1/caliper)

**276489-OK Overhaul kit (for 2 calipers)
(contains pistons, seals, bleed nipples)**

- 668905 (7.) Bolt for fitting of caliper (2/caliper)
- 669012 (8.) Lock washer (w. bendable tabs) (1/caliper)
- 670704 (9.) Backplate, lhs (use for 62-65)
- 670705 (10.) Backplate, rhs (use for 62-65)
- 671592 Brake hose, front (discs, 1962-1965)
- 670744-45 Brake pipe, for use with 671592 (lh/rh)
(made of coppernickel!)
- 666176 Pedal rubber (R) (LHD)

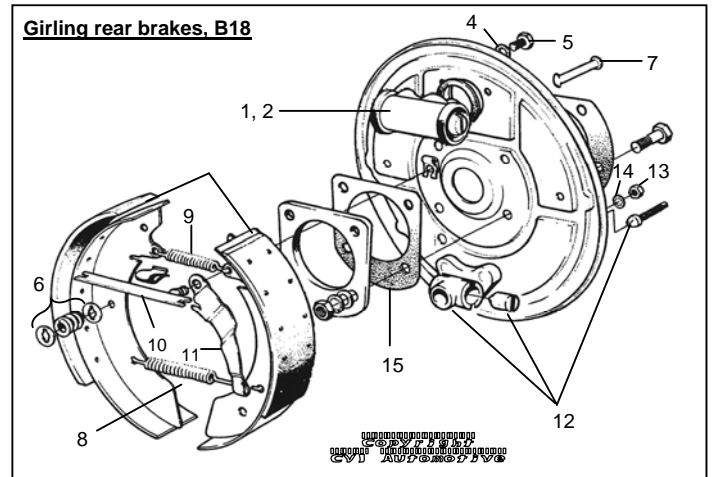
Part #

- 668333 (9.) Backplate, lhs (late 1965-1968)
- 668334 (10.) Backplate, rhs (late 1965-1968)
- 671799 Brake hose, front (1965-'70)
- 955858 Nut for 671799
- 955950 Lock washer
- 671808-09 Brake pipe, for use with 671799 (lh/rh)
(made of copper nickel!)
- 666528/29 (11.) Bracket, later type, lh/rh (second-hand only)
- FK-008 (12-14) Fitting kit, backplate to stubaxle
- 270987 (15.) Brake pad set (2 calipers) (genuine)
- 272691 (16.) Fitting kit, for both calipers
- 666525 (17.) Brake disc, genuine (fits from '63/'64)
(fits earlier cars provided caliper brackets
(no. 10) are changed to later type)
- 657874 (19.) Wheel bolt
- 87699 (20.) Wheel nut
- 653238 Pedal rubber (R) (RHD)

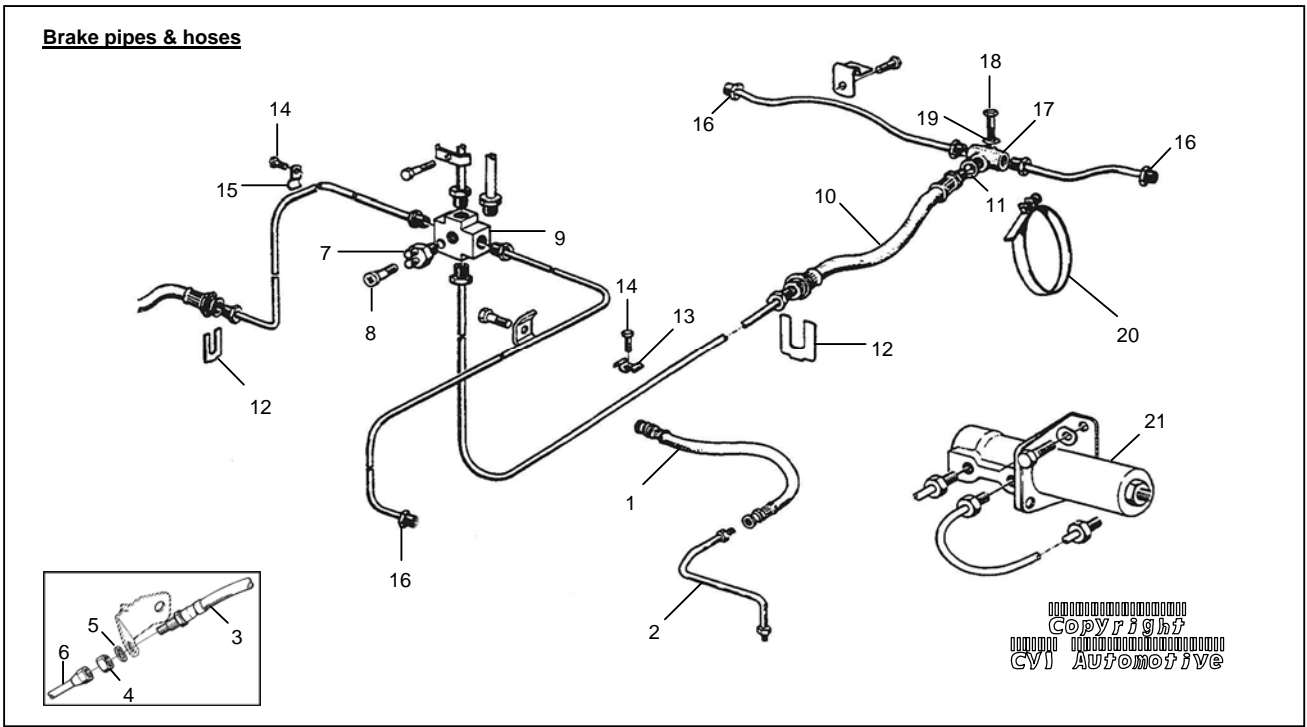
Girling System: Rear Drums (121 65-'68, 122S '62-'68, 123 GT '67-'68)

Part #

- 671216 (1.) Wheel cylinder, 1" inner diameter, 121 ('65-'67)
(P220 -'68), Amazon 122S ('62-'66)
- 276573 Repair kit, Girling genuine, for 2 cylinders
- 670404 (2.) Whl. cylinder, 7/8", 121 (1968), 122S ('67-'68)
(NB. Not for 122S USA 1968 - see page 32)
- 276407 Repair kit, Girling genuine, for 2 cylinders
- 656455 Bleed nipple for cylinders
- 656456 Dust cover for nipple
- 662518 (3.) Screw, cylinder to backplate (R)
- 940155 (4.) Lock washer
- 271814 (5.) Brake shoe set, rear, '62-'70 (genuine)
- 64947012 Copper paste for fitting brake shoes (2 oz)
- 273171-1 (6-9.) Fitting kit, with return springs (Q503)
- 671201 (10.) Link
- 671202 (11.) Lever, lhs (rhs NLA)
- 668667 (12.) Brake adjuster unit
- 955846 (13.) Nut (for brake adjuster)
- 940155 (14.) Lock washer



- FK-009 Fitting kit for 1 brake backplate
- 673788 (15.) Gasket (4/car) (See page 32)
- 673797 Brake drum (See page 32)
- 9991791R Hub-puller, for removal of rear drum



<u>Part #</u>		<u>Part #</u>		
653820	Brake hose, front (Wagner drum system)	87695	(10.) Brake hose, rear (all models 1957-'68)	
		18651	(11.) Copper washer for rear hose	
		80939	(12.) Lock fork	(R)
671592	(1.) Brake hose, front (discs, 1962-1965)	121572	(13.) Clamp	(double) NLA
670744-45	(2.) Brake pipe, for use with 671592 (lh/rh) (made of coppernickel!)	190665	(14.) Screw	
671799	(3.) Brake hose, front (1965-'70)	18335	(15.) Clamp	(single)
955858	(4.) Nut for 671799	87698	(16.) Nut for brake pipes	
955950	(5.) Lock washer	87696	(17.) Three-way union	
671808-09	(6.) Brake pipe, for use with 671799 (lh/rh) (made of copper nickel!)	955640	(18.) Screw	
		955920	(19.) Spring washer	
672425	(7.) Brake light switch	18363	(20.) Clamp	(now 18355)
950050	(8.) Screw	671894-1	(21.) Pressure reduction valve (adjustable) (NB. This is NOT like the original)	
653777-B	(9.) 5-way union (used only)			NLA

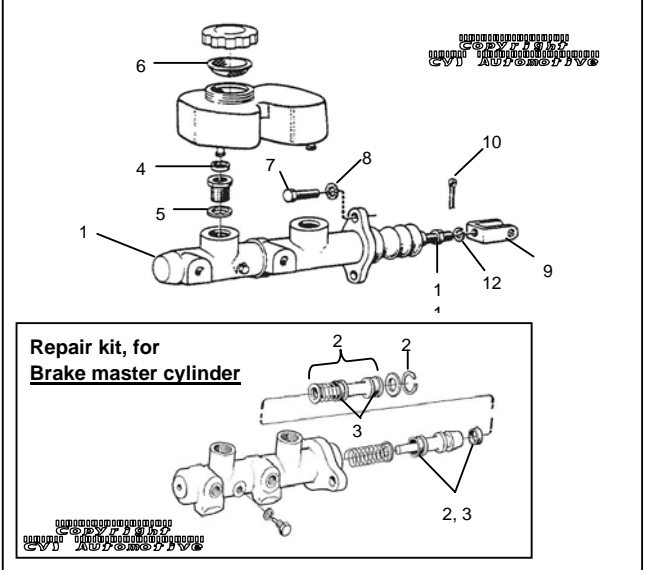
(NB. Fitted to cars exported mainly to the USA, in 1968)

Part #

Brake master cylinder

- 672825 (1.) Brake master cylinder (R)
- 273076 (2.) Repair kit (genuine, with piston)
- 273076-1 (3.) Repair kit (seals only)
- 64947011 Red brake grease for cylinder overhaul
- 678237 (4.) Rubber sleeve (2 per car)
- 18677 (5.) Washer (gasket)
- 681659 (6.) Strainer
- 940135 (7.) Bolt
- 955949 (8.) Lock washer
- 672917 (9.) Yoke (not for automatic cars)
- 913128 Clevis pin for yoke
- 907824 (10.) Split pin
- 955847 (11.) Nut
- 955921 (12.) Spring washer

Brake master cylinder 672825, B18 (dual-circuit)

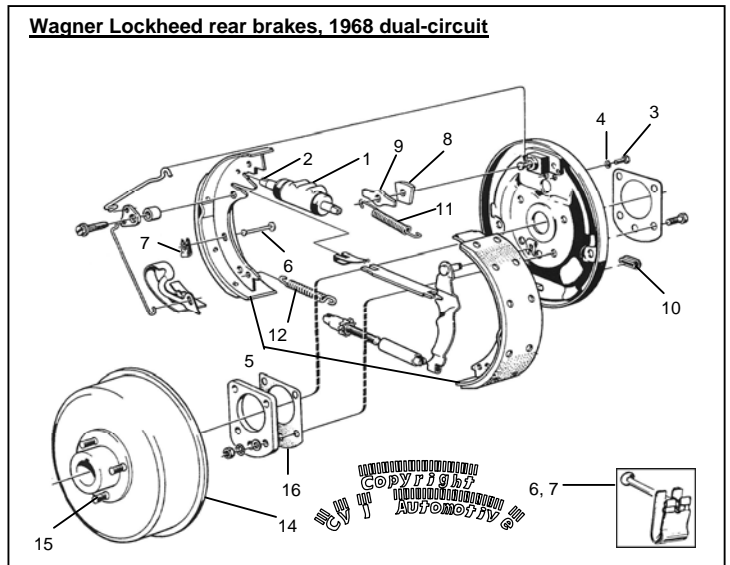


Rear Drum Brakes - 1968 Dual-Circuit

Part #

- 667166 (1.) Wheel cylinder, P130 sedan
- 273024 Repair kit, sedan (with return spring)
- 673391 (1.) Wheel cylinder, P220 station wagon
- 273022 Repair kit, P220 (with return spring)
- 64947011 Red brake cyl. grease for cylinder o'haul
- 87462 Bleed nipple, on wheel cylinders
- 659676 (2.) Pushrod (2/cylinder)
- 955512 (3.) Screw, wheel cyl. to backplate
- 955920 (4.) Lock washer
- 656456 Dust cover for nipple
- 271813 (5.) Brake shoe set, 1 axle (genuine)
- 64947012 Copper paste for fitting brake shoes (2 oz)
- 659663K (6/7.) Guide pin and clip set, for one axle
- 669916 (8.) Guide washer (arrow must point forwards)
- 659670 (9.) Retainer (second-hand only) NLA
- 659672 (10.) Rubber plug, for adjuster hole
- 273172 Guide pin kit (1 axle): 659663/64 + 669916 + 659672
- 667160 (11.) Return spring, upper
- 659668 (12.) Return spring, lower
- 667160-1 **Return spring set (6 pcs.)**
- 88830 (13.) Clip, for handbrake lever on trailing shoe
- 673797 (14.) Brake drum, genuine (with hub)

Wagner Lockheed rear brakes, 1968 dual-circuit



Part #

- 9991791R Hub-puller, for removal of rear drum
- 654490 (15.) Wheel bolt
- 87699 Wheel nut
- 87699-20 Wheel nut set (20 pieces)
- 673788 (16.) Gasket (2 per wheel) (See "rear axle")

Brake Servo (booster): See Page 37

Brake Hoses, Pedal rubbers, Brake light switch, Reduction valve

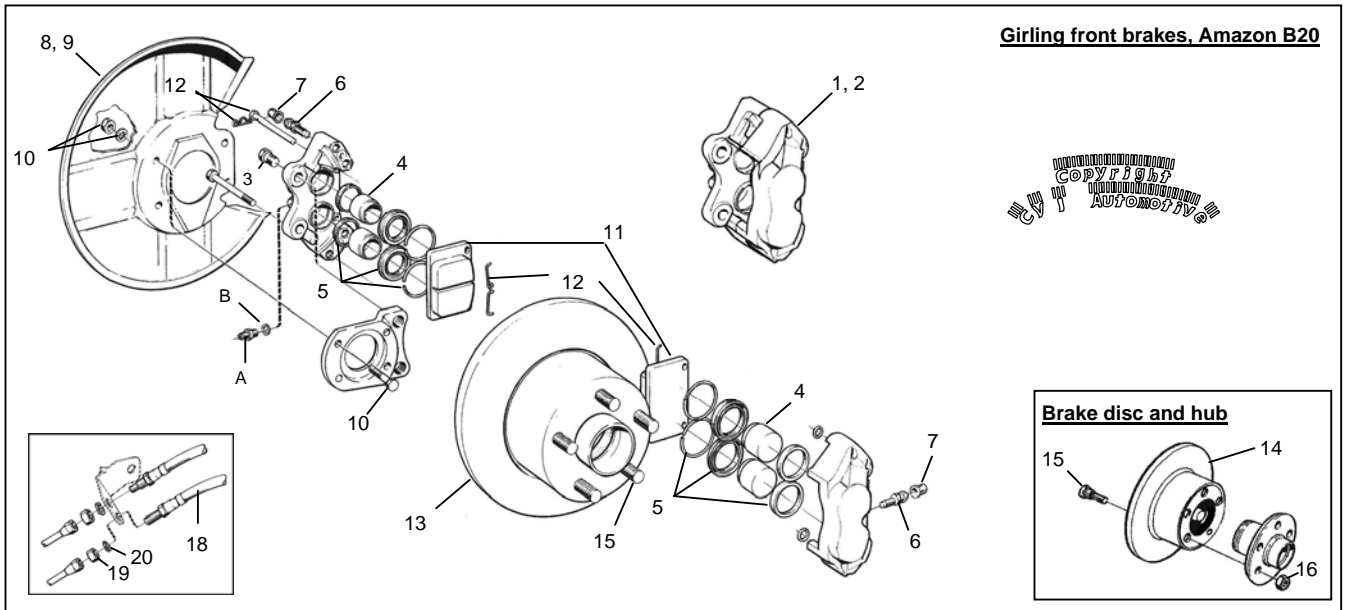
Part #

- 671799 Brake hose, front
- 955858 Nut for 671799
- 955950 Lock washer for 671799
- 87695 Brake hose, rear
- 80939 Lock fork
- 18651 Copper washer for rear hose

Part #

- 87696 Three-way union, on rear axle casing
- 18355 Band clamp, around axle
- 679364 Brake light switch
- 666176 Pedal rubber (R)
- 669843 Pedal rubber (automatic cars) (R)

Footbrake system, Front Brakes (B20)



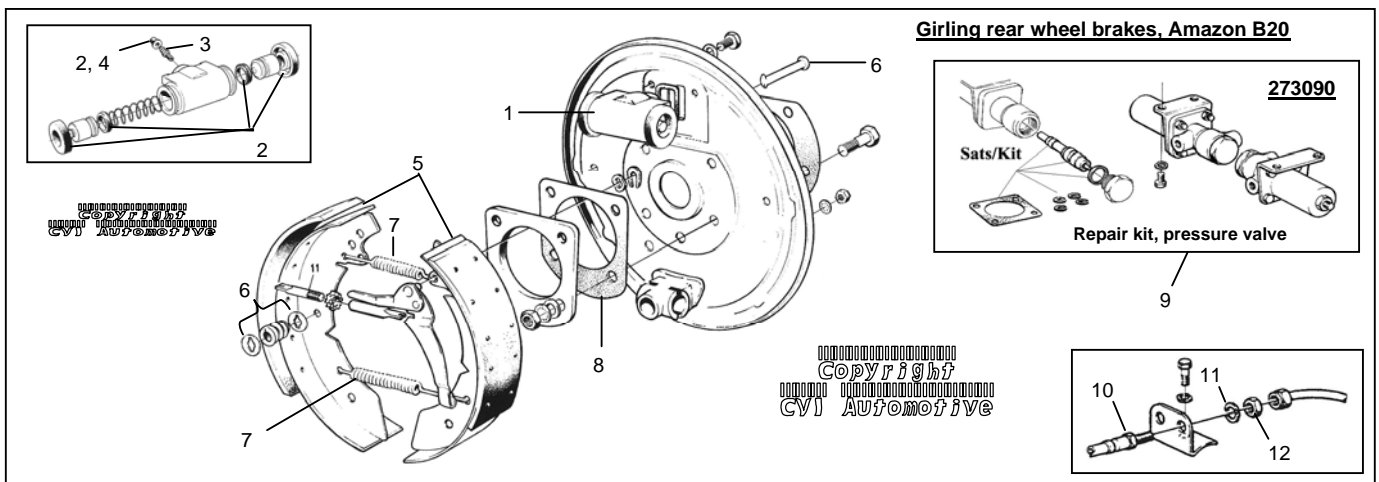
Part #

- 684432 (1.) Brake caliper, exchange reconditioned, lhs
- 684433 (2.) Brake caliper, exchange reconditioned, rhs
(NB. Refundable core charge must be added)
- 943506 (3.) Bolt, caliper to bracket
- 678142 (4.) Piston (4 per caliper)
- 273071-1 (5.) Repair kit (seal kit) for 1 caliper
- 273071-OK Overhaul kit for 1 caliper
(incls. pistons x 4, seal kit + bleed screws)
- 678155 (6.) Bleed nipple (3/caliper)
- 656456 (7.) Dust cover (incl. in rep. kit 273071)
- 190279 (A) Screw union (2/caliper)
- 18651 (B) Copper washer (2/caliper)

Part #

- 673773 (8.) Backplate, lhs
- 673774 (9.) Backplate, rhs
- FK-008 (10.) Fitting kit, backplate to stubaxle (2/car)
- 271739 (11.) Brake pad set (2 wheels) (genuine)
- 271739-1 (11.) Brake pad set (2 wheels) (R)
- 272691 (12.) Fitting kit (both wheels)
- 666525 (13.) Brake disc, genuine (with hub & bolts)
- 657874 (15.) Wheel bolt
- 87699 (16.) Wheel nut
- 671799 (18.) Brake hose, front (4/car)
- 955858 (19.) Nut for hose (8/car)
- 942366 (20.) Washer for hose (8/car)

Footbrake system, Rear Brakes (B20)



Part #

- 673731 (1.) Wheel cylinder
- 273275 (2.) Repair kit, genuine, for two cyls. (273167)
- 273275-1 (2.) Repair kit, for one cylinder (Repro)
- 678155 (3.) Bleed nipple
- 656456 (4.) Dust cover for bleed nipple
- 271814 (5.) Brake shoe set (1 axle = 2 whls) (genuine)
- 64947012 Copper paste for fitting brake shoes (2 oz)
- 273171-2 (6-7) Fitting kit for 2 wheels (incl. return springs) (Q504)
- 673797 Brake drum, genuine (with hub)

Part #

- 654490 Wheel bolt
- 87699 Wheel nut
- 679364 Brake light switch
- 673788 (8.) Gasket (4/car) (See "rear axle")
- 273090 (9.) Repair kit for reduction valve (excludes piston)
(NB. 2 kits required per car)
- 670201 (10.) Brake hose, rear (Girling) (2/car)
- 942336 (11.) Spring washer
- 955858 (12.) Nut

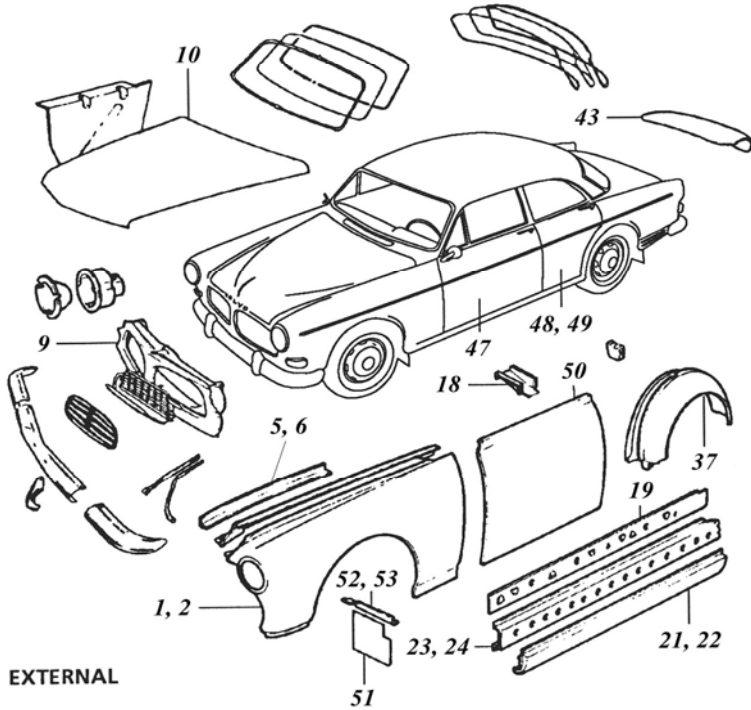
<u>Part #</u>			<u>Part #</u>		
661924	(1.)	Front wing (lhs)	653136	(33.)	Wheel arch, front part (4-dr/P220), lhs, gen.
661925	(2.)	Front wing (rhs)	653137	(34.)	Wheel arch, front part (4-dr/P220), rhs, gen.
212400		Inner moulded mudguard inside wings <i>(these provide excellent rust protection!)</i>	615012/13 902055-1/2	(35.)	Rear wheel arch, rear outer (lh/rh) Rear wheel arch, rear inner (lh/rh)
661987		Rubber seal, on rear upright of front wing		(36.)	Rear wing, <u>rear corner</u> repair: Type <u>with</u> spotweld flange at rear, lhs Type <u>with</u> spotweld flange at rear, rhs
943039		Bolt/washer, front wing fixing along top rail	659445-DE		
941961		Speed nut, in top rail (6 per side)	659446-DE		
276465-2		Fitting kit, for front wing (excls. rubber seal)			
615006	(3.)	Inner wing repair (lhs) (genuine)	653270	(37.)	Wheel housing, outer, rhs (fits all models)
615007	(4.)	Inner wing repair (rhs) (genuine)	653269-X		Outer wheel housing <u>repair</u> section, lhs
657617	(5.)	Reinforcing section (incl. on 615006)	653270-X		Outer wheel housing <u>repair</u> section, rhs
657618	(6.)	Reinforcing section (incl. on 615007)	657633	(38.)	Rear ribbed panel, sedan, lhs
653418	(7.)	Cowl (exactly as original), lhs, galvanised	657634	(39.)	Rear ribbed panel, sedan, rhs
653419	(8.)	Cowl (exactly as original), rhs, galvanised	662549	(40.)	Rear side panel, P220 (lhs)
663946	(9.)	Front panel	662550	(41.)	Rear side panel, P220 (rhs)
FK-MSA8		Fitting kit for front panel, 1962-1964	94081		Rubber plug for drain holes in 662549/50
273137		Fitting kit for front panel, 1965-1970	663712	(42.)	Panel beneath lower tailgate, P220
			670449		Gas opener for upper tailgate, P220
			662285		Striker plate, on lower tailgate, P220
661257	(11.)	Radiator attachment panel, lhs	662271		Lock on upper tailgate, P220
661258	(12.)	Radiator attachment panel, rhs (B20 type)			
653025	(13.)	Wheel housing, lhs	669126 (B)	(43.)	Bootlid (rust-free second-hand)
653026	(14.)	Wheel housing, rhs	656656		Bootlid hinge (<u>renew to prevent lid drop</u>)
654067	(15.)	Cross-member, under radiator	653015	(44.)	Rear panel, outer (sedan)
653309	(16.)	Cover plate, on front of crossmember	657631	(45.)	Spare wheel well, complete with side panel (R)
661309	(17.)	Battery shelf	657528	(46.)	Side panel for spare wheel well (R)
653687	(18.)	Front outrigger			
658858	(19.)	Inner rail, lhs	658860		Floor pan, front lhs (pressed as original)
658859	(20.)	Inner rail, rhs	658861		Floor pan, front rhs (pressed as original)
653018	(21.)	Sill (outer), lhs, 4-dr./P220	653798	(47.)	Front door, lhs, 4-dr. & P220
653019	(22.)	Sill (outer), rhs, 4-dr./P220	653800/01	(48/49)	Rear door, lhs/rhs, 4-dr. sedan
			678127		Reflective sticker on rear door upright
90 20 06-1	(23.)	Sill (inner), lhs (all models)	653787		Door hinge (front), door section
90 20 06-2	(24.)	Sill (inner), rhs (all models)	671732		Door hinge (front), body section
657048		Sill (outer), lhs, 2-dr.	671730		Door hinge pin
657049		Sill (outer), rhs, 2-dr. (Tip: shorten 4-door sill)	950158		Screw for hinge (door section) (16/car)
659445	(25.)	Rear wing, lhs, 2-dr.	18895		Lock washer for 950158
659446	(26.)	Rear wing, rhs, 2-dr.	955524		Screw for hinge (body section) (16/car)
672073	(27.)	Rear wing front repair (rear sill), lhs	955949		Lock washer
672074	(28.)	Rear wing front repair (rear sill), rhs	90 20 12-1/2		Door skin, lower part (2-dr.) (lh/rh)
90 20 59-1	(29.)	Wheel arch repair, 2-dr., lhs	90 20 13-1/2		Door bottom (2-dr.) (lh/rh)
90 20 59-2	(30.)	Wheel arch repair, 2-dr., rhs	662645		Metal channel around door, for rubber seals
653011	(31.)	Rear wing, lhs, 4-dr.	676863		Channel for door glass scraper seal
653012	(32.)	Rear wing, rhs, 4-dr.	90 20 14-1/2		Door skin, lower part (4-dr. front) (lh/rh)
			90 20 15-1/2		Ditto, rear door (lh/rh)
			90 20 16-1/2		Door bottom (4-dr. front) (lh/rh)

Mudflaps & brackets

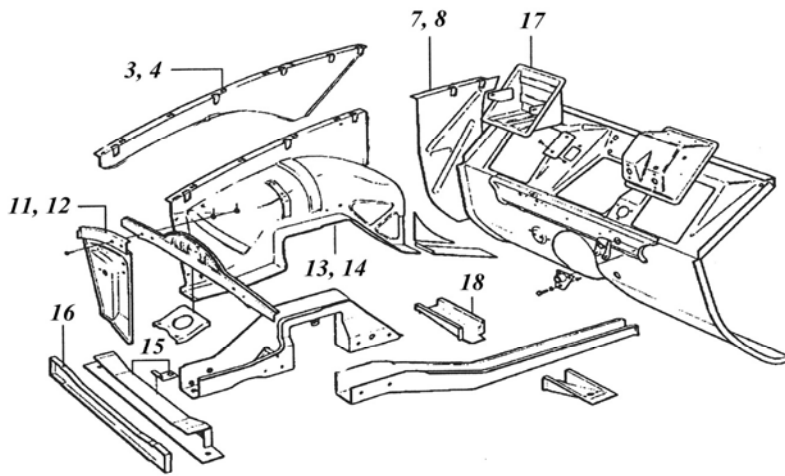
<u>Part #</u>			<u>Part #</u>		
657490	(51.)	Mudflap, front (lhs/rhs)	655598	(56.)	Mudflap bracket, lhs rear (P120/P130)
655469	(52.)	Mudflap bracket, lhs front (genuine)	655599	(57.)	Mudflap bracket, rhs rear (P120/P130)
655470	(53.)	Mudflap bracket, rhs front (genuine)	663546	(58.)	Mudflap bracket, lhs rear (station wagon)
FK-010		Fitting kit, for 2 front mudflaps & brackets	663547	(59.)	Mudflap bracket, rhs rear (station wagon)
670666	(54.)	Mudflap, rear lhs (early longer type)	FK-011		Fitting kit, for 2 rear mudflaps & brackets
670667	(55.)	Mudflap, rear rhs (early longer type)			
670894	(54.)	Mudflap, rear lhs (later shorter type)			
670895	(55.)	Mudflap, rear rhs (later shorter type)			



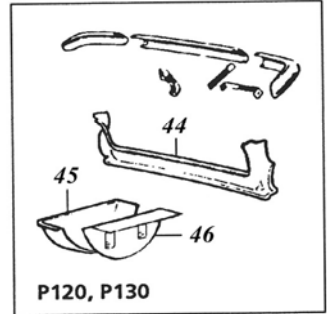
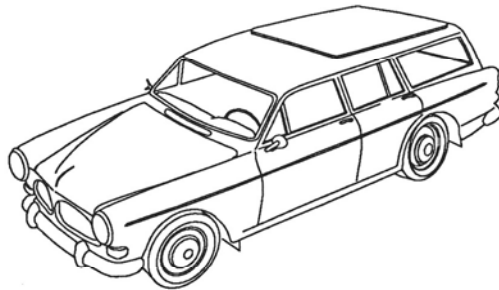
Ref: 020722



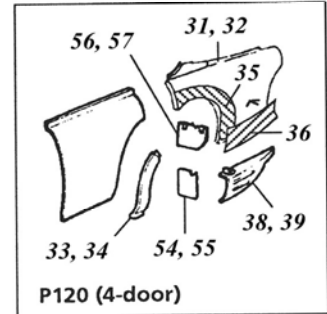
EXTERNAL



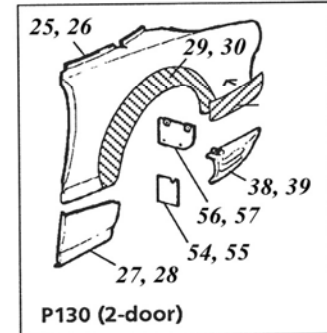
INTERNAL



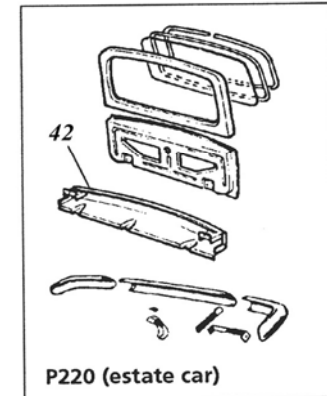
P120, P130



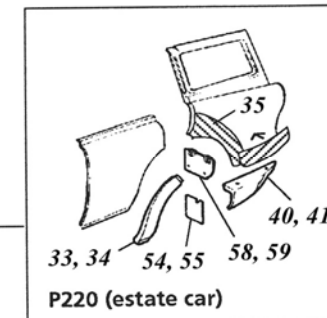
P120 (4-door)



P130 (2-door)



P220 (estate car)



P220 (estate car)

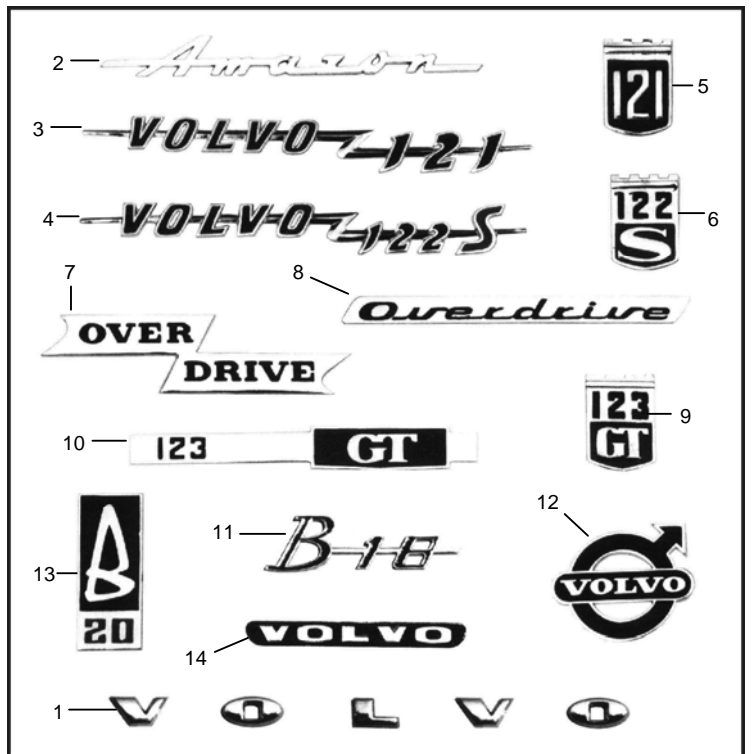
CLASSIC
VOLVO
IMPORTS

PV444/544 P120 Amazon P1800 Specialists

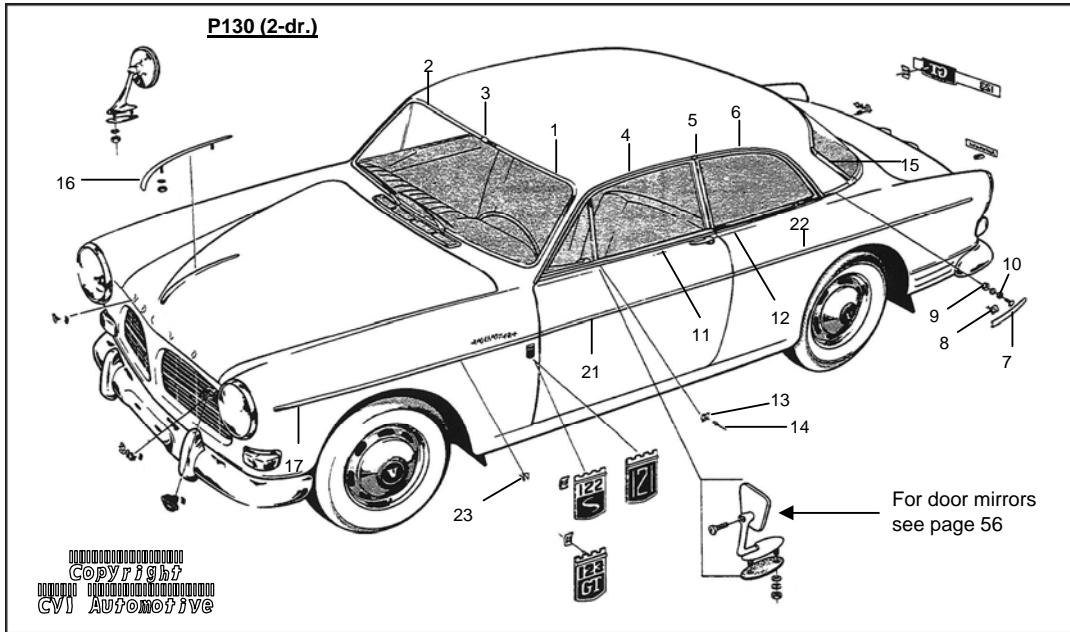
Part #		Part #	
666775	Rubber insert for front indicators (lh) (B18/B20)	672156	Door seal, front lhs (4-dr./P220) Use 2-dr. seal
666776	Rubber insert for front indicators (rh) (B18/B20)	672157	Door seal, front rhs (4-dr./P220) Use 2-dr. seal
657986	Bonnet rest seal, front, 1957-1965	672150	Door seal (P120 rear), lhs (R)
671629	Bonnet rest seal, front, 1966-1970	672151	Door seal (P120 rear), rhs (R)
663270	Bonnet rest seal, rear, 1957-1965	672148	Door seal (P220 rear), lhs (R)
92510	Bonnet rest seal, rear, 1966-1970	672149	Door seal (P220 rear), rhs (R)
655545	Rubber button, on bonnet (2/car)	671687	Bootlid seal (trunk lid) (genuine)
656577	Rubber button, in wing (6/car)	667812	Bootlid rest button (2 per bootlid)
673318	Front windscreen seal	661987	Rubber seal on rear upright of front wing
660864	Front w'screen seal (cars w/out chrme trim)	660555	Number-plate lamp housing seal ('58-'63)
14892-1	Screw set, windscreen inner frame ('-67)	669071	Number-plate lamp housing seal ('64-'70)
671764	Rear screen seal, P120/P130	667612	Taillamp seal
660863	Rear screen seal (cars w/out chrome trim)	13319	Seal for reflector housing et. al.
662655	P220 rear screen seal (type without trim)	672247	P220 seal under top tailgate (on body) (R)
670988	P220 rear screen seal (type with trim)	672248	P220 seal around t'gate opening (on body) R
673457	Front vent window seal, lhs	671866	P220 seal on sides of lower tailgate
673458	Front vent window seal, rhs	671866	P220 seal on rear of upper tailgate
17455	Rivet (large), outs. of vent window (1/side)	667048	P220 seal on inside of lower tailgate
120151	Washer, for large rivet	662687	P220 seal around rear side windows (l/r)
191644	Rivet, vent window seal to frame (8 per car)	653212	Fuel filler neck seal (sedan)
654562	Triangular wedge seal, in front of vent window	656880	P120/P220 seal at either end of waistline trim, outside of door glass (<u>not</u> 90° angled type)
661810	Rear vent seal, on 4-dr. rear door (lh & rh)	13319 (RD)	Seal on inside of vent window
662689	Rear vent seal, on P220 rear door (lh & rh)	656988-RUB	Rubber seal for glass in side frames, 2-dr.
670810	Door glass scraper seal (570 mm)	672111/12 (R)	P130 seal round <u>non</u> -openable side glass (these need to be bonded)
92509	"B" post seal, 4-dr + P220 (genuine: 4/car)	292	Glue for B16 door seals, and all bootlid rubber seals
654114/15	Door seal, front, lh/rh (B16, B18 '-62) R		
654190/91	Door seal, rear, lh/rh (B16, B18 '-62) R		
672154	Door seal (2-dr.), lhs (current genuine)		
672155	Door seal (2-dr.), rhs (current genuine)		

BADGES & EMBLEMS, AMAZON

Part #		
276377	(1.) Letter set, gold, genuine (<u>with</u> clips)	
276375	(1.) Letter set, silver, genuine (<u>with</u> clips)	
82660	Clips for letters (<u>included</u> in sets above)	
661052	(2.) "Amazon" emblem	NLA
661054	(3.) "Volvo 121" emblem, to 1964 (R)	
661055	(4.) "Volvo 122S" emblem, to 1964 (R)	
670678	(5.) "121" on wing, '65-'70 (R)	
670677	(6.) "122S" on wing, '65-'70 (R)	
663558	(7.) "Overdrive", on bootlid (to 1964) (R)	
670566	(8.) "Overdrive", from 1965 (R)	
672490	(9.) "123 GT" on wing (R)	
672493	(10.) "123 GT", on bootlid (R)	
664621	Clips for emblems 5-10	NLA
667184	(11.) "B18" badge, large, on grille (R) (1961-1964)	
192586	Clips for large B18 badge	NLA
666444	(11.) "B18" badge, small (R) (1961-1964)	
192086	Clips for small B18 badge	NLA
670900	(12.) "Volvo" badge on grille (R) (1965-1968)	
672328	Clips for Volvo grille badge	
670419	"Automatic" emblem (R)	
664621	Clips for automatic emblem	NLA

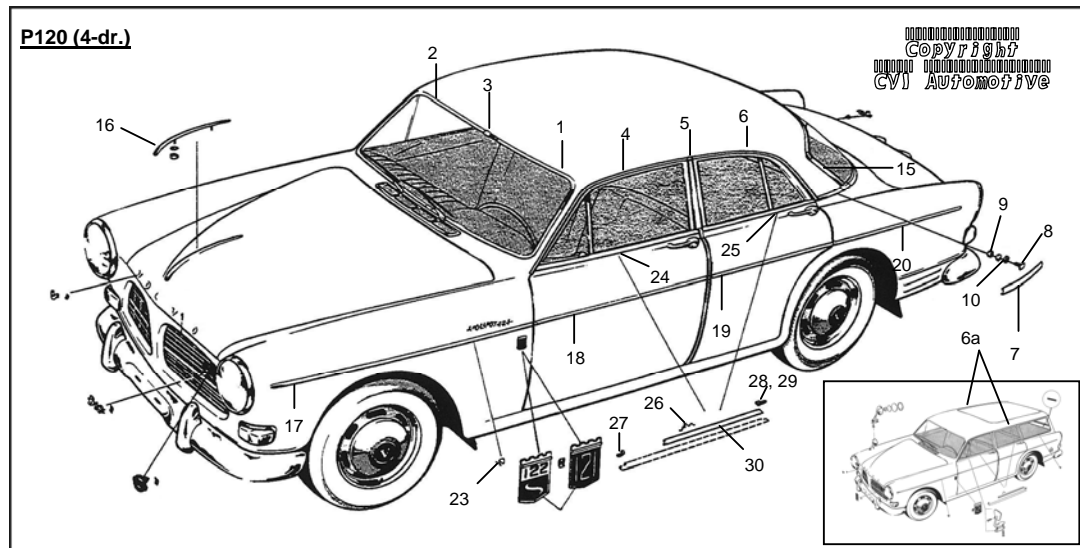


673702	(13.) "B20" grille badge (R)	(1969-1970)	
192586	Clips for B20 grille badge		NLA
663060	(14.) "Volvo", on bootlid handle	(R)	

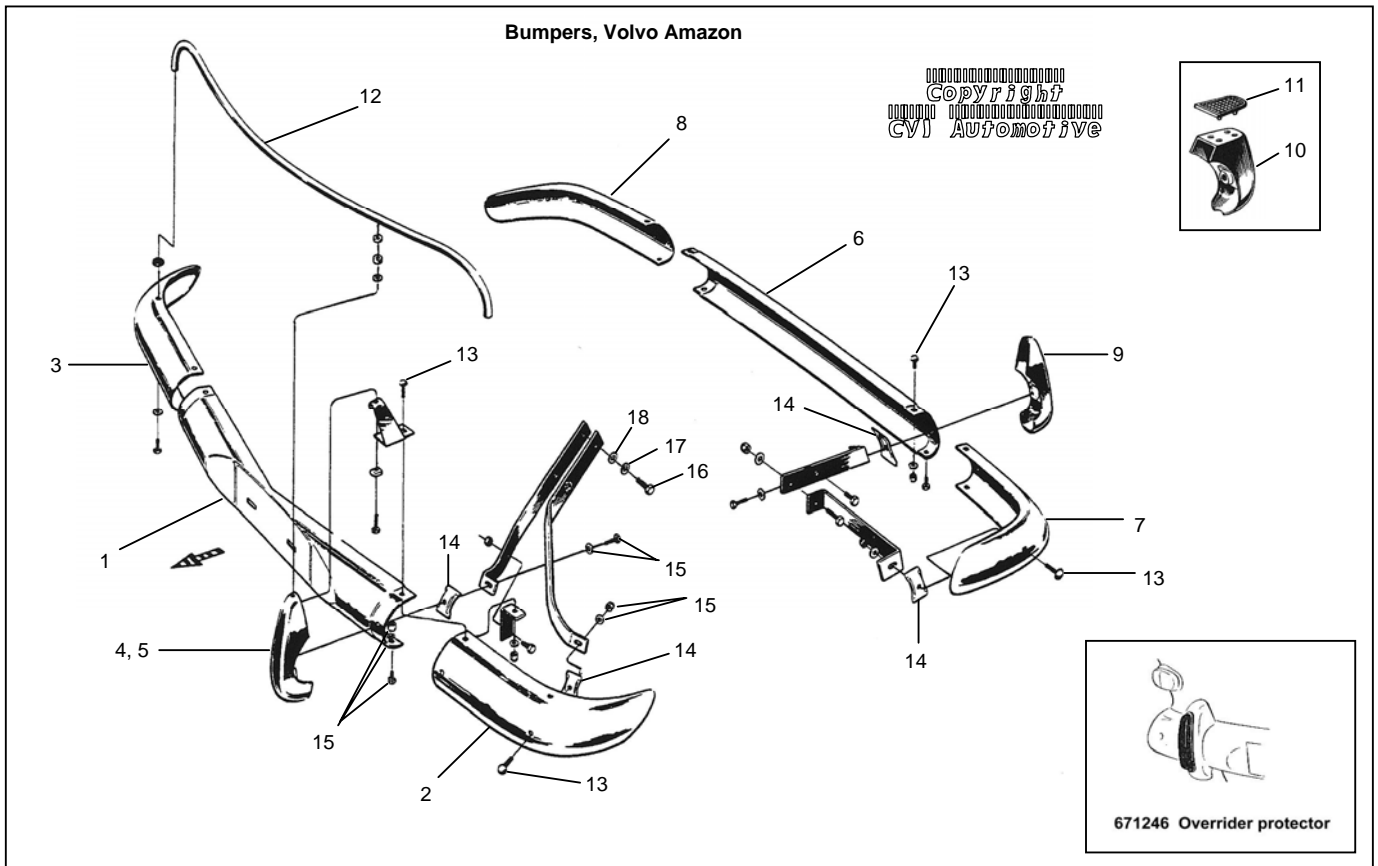


Part #		Part #		
654384	(1.) Windscreen trim, lhs	654388	(15.) Trim on rear screen, lhs ("hockey stick")	
654385	(2.) Windscreen trim, rhs	654389	"Hockey stick", rhs	
654386	(3.) Junction piece (2 per screen)			
659994	(4.) Gutter trim, lhs front	654393	Junction piece, rear screen upper lhs	NLA
659995	Gutter trim, rhs front	654394	Junction piece, rear screen upper rhs	NLA
657298	(5.) Junction piece	654395	Junction piece, rear screen lower lhs	NLA
654297	(6.) Gutter trim, lhs rear, P120/P130	654396	Junction piece, rear screen lower rhs	NLA
654298	Gutter trim, rhs rear, P120/P130			
662657	(6a.) Gutter trim, rear long piece P220	661050	(16.) Bonnet trim (pressed polished stainless)	
654391	(7.) Trim between rear screen & side glass/door	657263	(17.) Front wing trim	
654585	(8.) Fastener screw (4/car) (UNC genuine)	657265	(18.) P120/P220 front door trim	
941478	(9.) Nut (UNC genuine)	657266	(19.) P120/P220 rear door trim	
955946	(10.) Lock washer	657264	(20.) P120 rear wing trim	
		662656	P220 rear wing trim	
659287	(11.) Waist line trim, lhs front (P130, '67-)	659205	(21.) P130 door trim (2-dr)	
659288	Waist line trim, rhs front (P130, '67-)	660090	(22.) P130 rear wing trim, lhs	
659290	(12.) Waist line trim, lhs rear (P130, '67-)	660091	P130 rear wing trim, rhs	
659291	Waist line trim, rhs rear (P130, '67-)	658850	(23.) Clips for side trim	
192458	(13.) Clips, early (riveted), to '66 (26/car)	658192	(24.) Waistline trim, front lhs (P120/P220)	NLA
659654	(14.) Rivet (genuine all-aluminium) (26/car)	658193	Waistline trim, front rhs (P120/P220)	NLA
679885	Clips, later (plastic) 1967- (26/car)	658144	(25.) Waistline trim, rear lhs (P120/P220)	NLA
		658145	Waistline trim, rear rhs (P120/P220)	
		659996	(26.) Clips for waistline trim	
		656880	(27.) Seal, front and rear, on waistline trim	
		670810	(30.) Door glass scraper seal	

Note: waistline trim on 2 dr. cars was flat until 1966. From 1967 it was made rounder. Think about this if ordering just one or two pieces as later style is all that is available. Order correct clips as well!



<u>Part #</u>			<u>Part #</u>		
653294	(1.)	Bumper center, front	190373	(13.)	Chromed bumper bolt (incl. in kit 276422)
673690	(2.)	Bumper corner, lhs front	955827		Nut for 190373
673691	(3.)	Bumper corner, rhs front			
653606	(4.)	Override, lhs front	653572	(14.)	Protective washer (incl. in kit 276422)
653607	(5.)	Override, rhs front	276422	(15.)	Bumper fitting kit (13 + 14) (4/car)
653305	(6.)	Bumper center, rear			
673694	(7.)	Bumper corner, lhs rear	653627		Bumper iron, front rhs (outer)
673695	(8.)	Bumper corner, rhs rear	653623		Bumper iron, rear rhs (outer)
657053	(9.)	Override, rear (sedan, 2/car)			
666265	(10.)	Override, rear (P220)	955561	(16.)	Bolt, front bumper iron to chassis
666262	(11.)	Rubber cover, on P220 override (R)	940280	(17.)	Curved lock washer
			955897	(18.)	Plain washer
659961	(12.)	Yankee bar (polished stainless steel)	NLA	671246	Rubber override protector



Grilles: Hubcaps

<u>Part #</u>			<u>Part #</u>	
190213	Clip for grille mounting, 1961-1964		654108	Hub cap (red "V"), 1957-'64 (stainless)
950044	Screw for moulding, 1961-1964			(NB. These come without the red decals which must be ordered separately)
670692	Grille, lhs (1965-1966)	NLA	654108-D	Red decal for center of hubcap
670693	Grille, rhs (1965-1966)	NLA		
190388	Screw for grille		670437	Hub cap (black "V")
192557	Speed nut			
672278	Grille, lhs (1967-1970)	NLA		
672279	Grille, rhs (1967-1970)	NLA		
190388	Screw for grille			
192557	Speed nut			

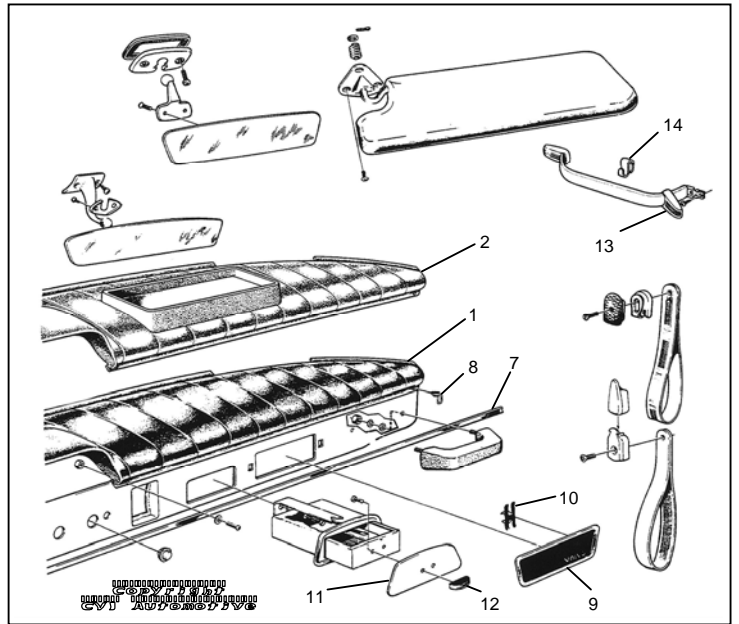
Part #

- 666001 (1.) Dash padding, LHD (not GT)
- 672577 (2.) Dash padding, LHD (for 123 GT)
- 666002 (1.) Dash padding, RHD (not GT)
- 672578 (2.) Dash padding, RHD (for 123 GT)

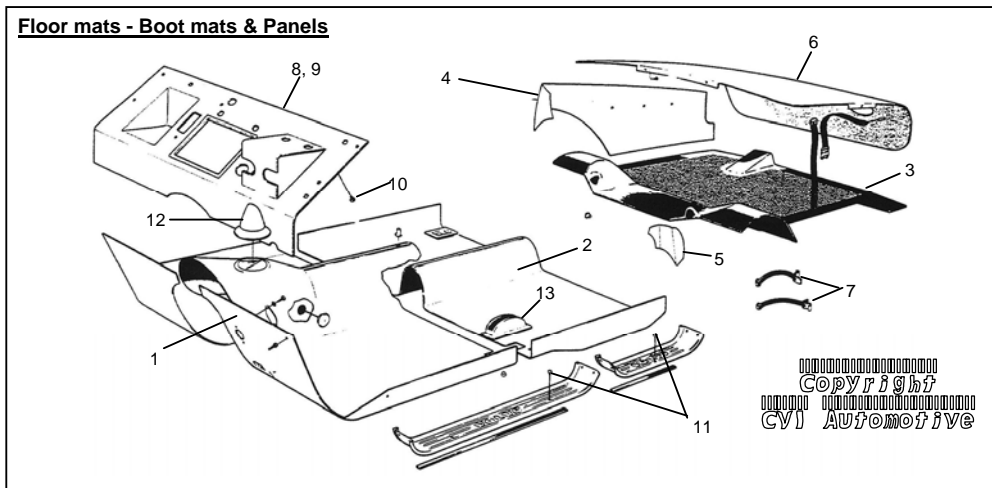
NLA

- 654299 (7.) Trim moulding on dashboard
- 663973 (8.) Clips for 654299

- 677160-X (13.) Plastic covers for grab handle, from 1967
- 677156 (14.) Clothes hanger



FLOOR MATS - LUGGAGE COMPARTMENT MATS & PANELS



Floor mats, in grey rubber:

- 662404 (R) (1.) Floor mat, front, grey 1962 - 1964
 - 662405 (R) (2.) Floor mat, rear, grey 1962 - 1964
- (NB. These mats can also fit B16 cars, but the sides of the (smaller) propshaft tunnel must be filled out under the mat)**

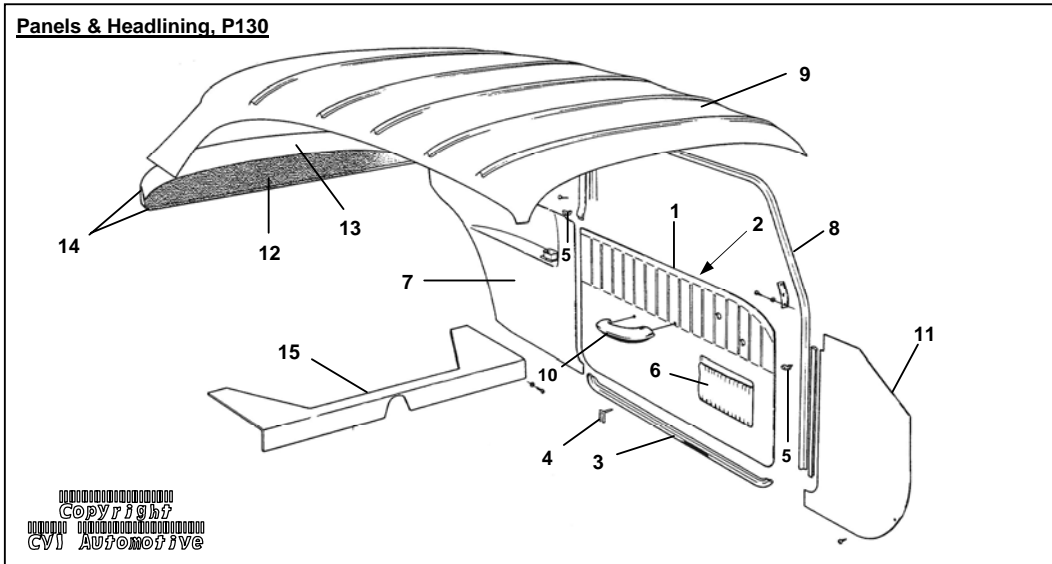
Floor mats, in black rubber:

- 670698 (1.) Floor mat, front, black (genuine, with felt)
 - 670699 (2.) Floor mat, rear, black (genuine, with felt)
 - 660677 (3.) Luggage compartment mat (all were black)
- 277215 4 pc. accessory rubber floor mat set (grey) NB. Original Volvo accessory!
- 277216 4 pc. accessory rubber floor mat set (black) NB. Original Volvo accessory!

- FMS AZ (GR) Floor mat set, in grey textile (6 pieces)
- FMS AZ (BL) Floor mat set, in blue textile (6 pieces)
- FMS AZ (Red) Floor mat set, in red textile (6 pieces)

Bulkhead mat: Panels on sides of luggage compartment and bootlid

- | Part # | | Part # | |
|---------------|---|---------------|---|
| 662093/659497 | Grey panels (1957-'64) (4+5.) | 691581 | (8.) Bulkhead mat kit, LHD (cut out, not sewn) |
| | | 691582 | (9.) Bulkhead mat, RHD Unavailable |
| 671067-68 | (4+5.) Black panels (1965-'70) (4+5.) | 671261 | (10.) Rubber button, for fitting mat (7/car) |
| 660442 | (6.) Panel on inside of bootlid (grey) | 14939 | (11.) Screw, for sill plates & inner top door panel |
| 671066 | (6.) Panel on inside of bootlid (black) | | |
| 659315-16 | Rubber straps for jack | 670875, etc | (12.) Gear lever gaiter See "Gearbox" |
| | | 659491/670871 | (13.) Handbrake lever gaiter See "Handbrake" |



Part #

Door Panels (incl. pocket & lower seal moulding unless stated)

Upholstery Code stamped on chassis plate in engine bay

lh/rh	Part #	Description	Color	Notes	Upholstery Code	Trim
	690566/67	(1.) Door panel	(Beige 1962-63)		401-189 or 404-192	
	690883/84	(1.) Door panel	(Red 1962-1963)		407-234 or 409-236	
	690576/77	(1.) Door panel	(Blue 62-63: slightly darker than original)		403-191 or 405-193	
	690878/79	(1.) Door panel	(Grey 1962-1963)		406-233 or 408-235	
	691278/79	(1.) Door panel	(Golden brown 1964 - only a few left)		412-262 or 415-263	
	691274/75	(1.) Door panel	(Red 1964)		411-245 or 414-247	
	691270/71	(1.) Door panel	(Grey 1964)		410-244 or 413-246	
	691512/13	(1.) Door panel	(Light blue 1965)		419-517	
	691506/07	(1.) Door panel	(Red 1965)		416-514	wide trim strip
	691823/24	(1.) Door panel	(Red 1966)		420-532	narrow trim strip
	692002/03	(1.) Door panel	(Black 1965-1968)		417-515	
	692163/64	(1.) Door panel	(Dark green 1967)		426-553	
	692161/62	(1.) Door panel	(Tan 1967-1968)		425-552	
	692159/60	(1.) Door panel	(Wine red 1967-1968)		424-551	
	692207/08	(1.) Door panel	(Wine red 1967-1968)		429-585	"Favorit" model - no pocket
	692910/11	(1.) Door panel	(Red 1969)	B20 (no pocket)	432-597	
	692908/09	(1.) Door panel	(Blue 1969)	B20 (no pocket)	431-596	Use for '68 also
	692906/07	(1.) Door panel	(Beige 1969)	B20 (no pocket)	430-595	
	695098/99	(1.) Door panel	(Red 1970)	B20 (no pocket)	434-636	
	695100/01	(1.) Door panel	(Blue 1970)	B20 (no pocket)	435-637	

667514/15	(3.) Lower seal (included on full door panel) (NB. 1965-1970 use 667514 for lh <u>and</u> rh)	95290	(5.) Clips for door panels and rear side panels
			(6.) Door pockets available separately - call
320448	(4.) Clip, lower seal (8 per side)		(7.) Vinyl cover for recovering rear side panel (NB. Please state interior code)

Headlining - Kick Panels - Rear Parcel Shelf Mat - Draft excluders

690587(2R)	(8.) Draft excluder, around door opening (Now with plastic strip - cut to size)	671064/63 LHD 671064/63 RHD	Kick panel (black for LHD cars), '65-'70 (11.) Kick panel (black for RHD cars), '65-'70 (11.)
98747	(9.) Perforated vinyl headlining for sedan		
668969 14939	(10.) Arm rest (from 1965), second-hand Chromed screw, upper (metal) door panel	NLA	
		691616 691615 667878	(12.) Mat on parcel shelf, 1965-'68 (R) (13.) White vinyl upright, 1965-'68 (14.) Parcel shelf ('60-'64, '69-'70) (comes as self-assemble kit)
659508/07 LHD 659508/07 RHD	Kick panel (grey for LHD cars), to 1964 (11.) Kick panel (grey for RHD cars), to 1964 (11.)	670861 (B)	(15.) Rubber mat (black, 2nd-hand)

- 659508/07 LHD Kick panel (grey for LHD cars), to 1964 (1.)
- 659508/07 RHD Kick panel (grey for RHD cars), to 1964 (1.)

- 671064/63 LHD Kick panel (black for LHD cars), '65-'70 (1.)
- 671064/63 RHD Kick panel (black for RHD cars), '65-'70 (1.)

- 691616 (7.) Mat on parcel shelf, 1965-'68 (R)
- 691615 (8.) White vinyl upright, 1965-'68

- 667878 (9.) Parcel shelf (1960-'64) (comes as self-assemble kit)

- 690587(4R) (2.) Draft excluder, around door opening, 4-dr (Now with plastic strip)

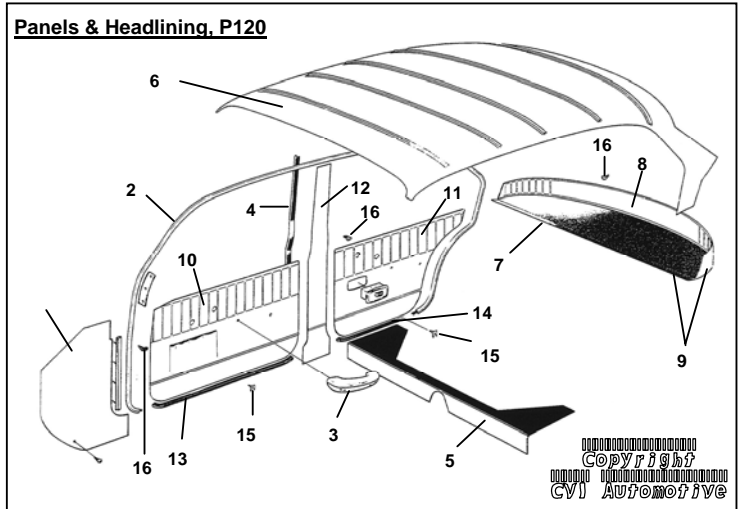
- 668969 (3.) Arm rest (from 1965), second-hand NLA
- 14939 Chromed screw on upper (metal) door panel

- 92509 (4.) "B" post seal (genuine) (4 per car)

- 670861 (B) (5.) Rubber mat (black, 2nd-hand)

Headlinings

- 98391-1 (6.) Flannel cloth lining, early B16 (glued at back)
- 98391 (6.) Flannel cloth lining, early B16 (not glued)
- 98569 (6.) Cloth headlining, late B16/early B18 sedan
- 98747 (6.) Perforated vinyl headlining for sedan



Door Panels (incl. front pocket & lower seal moulding)

Upholstery Code stamped on chassis plate in engine bay

- 690414/15 (10.) Door panel, front (Beige 1962-63)
- 690416/17 (11.) Door panel, rear (Beige 1962-63)
- 690606/07 (12.) B-post (Beige 1962-63)

- 690840/41 (10.) Door panel, front (Red 1962-63)
- 690842/43 (11.) Door panel, rear (Red 1962-63)
- 690844/45 (12.) B-post (Red 1962-63)

- 690438/39 (10.) Door panel, front (Blue 62-1963: slightly darker than original)
- 690440/41 (11.) Door panel, rear (Blue 62-1963: slightly darker than original)
- 690610/11 (12.) B-post (Blue 62-1963: slightly darker than original)
- 690828/29 (10.) Door panel, front (Grey 1962-1963)
- 690830/31 (11.) Door panel, rear (Grey 1962-1963)
- 690832/33 (12.) B-post (Grey 1962-1963)

- 691218/19 (10.) Door panel, front (Red 1964)
- 691220/21 (11.) Door panel, rear (Red 1964)
- 691228/29 (12.) B-post (Red 1964)
- 691214/15 (10.) Door panel, front (Grey 1964)
- 691216/17 (11.) Door panel, rear (Grey 1964)
- 691226/27 (12.) B-post (Grey 1964)

- 691496/97 (10.) Door panel, front (Light blue 1965)
- 691504/05 (11.) Door panel, rear (Light blue 1965)
- 691520/21 (12.) B-post (Light blue 1965)

- 691490/91 (10.) Door panel, front (Red 1965)
- 691498/99 (11.) Door panel, rear (Red 1965)
- 691520/21 (12.) B-post (Red 1965)
- 691805/06 (10.) Door panel, front (Red 1966)
- 691811/12 (11.) Door panel, rear (Red 1966)
- 691799/00 (12.) B-post (Red 1966)

- 691998/99 (10.) Door panel, front (Black 1965-67)
- 692000/01 (11.) Door panel, rear (Black 1965-67)
- 691516/17 (12.) B-post (Black 1965-67)
- 692143/44 (10.) Door panel, front (Tan 1967)
- 692149/50 (11.) Door panel, rear (Tan 1967)
- 692137/38 (12.) B-post (Tan 1967)

- 692145/46 (10.) Door panel, front (Dark green 1967)
- 692151/52 (11.) Door panel, rear (Dark green 1967)
- 692139/40 (12.) B-post (Dark green 1967)
- 692141/42 (10.) Door panel, front (Wine red 1967)
- 692147/48 (11.) Door panel, rear (Wine red 1967)
- 692135/36 (12.) B-post (Wine red 1967)

- 135-200 or 138-203 or 140-205
- 135-200 or 138-203 or 140-205
- 135-200 or 138-203 or 140-205

- 148-225 or 150-227 or 152-229
- 148-225 or 150-227 or 152-229
- 148-225 or 150-227 or 152-229

- 137-202 or 139-204
- 137-202 or 139-204
- 137-202 or 139-204
- 147-224 or 149-226 or 151-228
- 147-224 or 149-226 or 151-228
- 147-224 or 149-226 or 151-228

- 156-249 or 159-251 or 162-253
- 156-249 or 159-251 or 162-253
- 156-249 or 159-251 or 162-253
- 155-248 or 158-250 or 161-252
- 155-248 or 158-250 or 161-252
- 155-248 or 158-250 or 161-252

- 170-505
- 170-505
- 170-505

- 167-502 or 171-506
- 167-502 or 171-506
- 167-502 or 171-506
- 175-523 or 179-527
- 175-523 or 179-527
- 175-523 or 179-527

- 168-503 or 172-507
- 168-503 or 172-507
- 168-503 or 172-507
- 184-546 or 187-549
- 184-546 or 187-549
- 184-546 or 187-549

- 185-547
- 185-547
- 185-547
- 183-545
- 183-545
- 183-545

- 667690 (13.) Lower seal moulding (4-dr. front)
- 667961 (14.) Lower seal moulding (4-dr. rear)
- 320448 (15.) Clip, lower seal moulding
- 95290 (16.) Clips for door panels, "B" post panel and parcel shelf upright panel

- 659508/07 LHD Kick panel (grey for LHD cars), to 1964 (1.)
- 659508/07 RHD Kick panel (grey for RHD cars), to 1964 (1.)

- 671064/63 LHD Kick panel (black for LHD cars), '65-'69 (1.)
- 671064/63 RHD Kick panel (black for RHD cars), '65-'69 (1.)

- 92509 (2.) "B" post seal (genuine) (4/car)

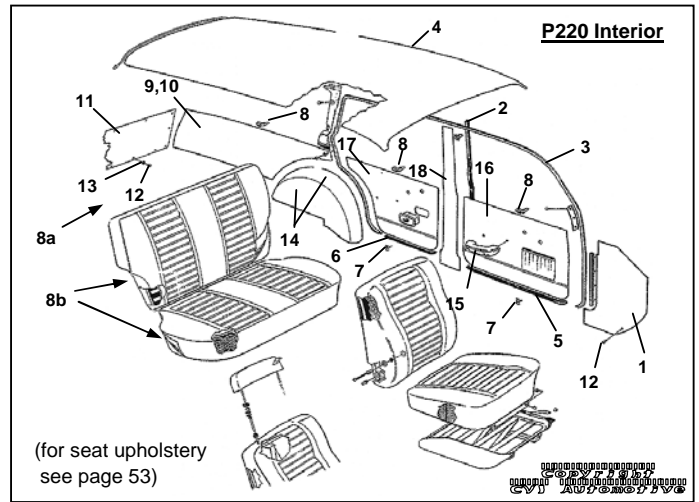
- 690587(4R) (3.) Draft excluder, around door opening, 4-dr
(Now with plastic strip)

- 690639 (4.) Perforated vinyl headlining for P220

- 667690 (5.) Lower seal moulding (front)
- 667961 (6.) Lower seal moulding (rear)
- 320448 (7.) Clip, lower seal

- 95290 (8.) Clips, door & side panels & "B" post panel

- 691609 (8a.) Luggage compartment mat
- 691651-1 (8b.) Mats on back of rear upright & bottom
- 691589/90 (9/10.) Rear side panel (lh/rh)
- 691597 (11.) Panel (not plate) on lower tailgate, 1965-'69
- 660792 Metal plate under panel can be remade
- 955138 (12.) Screw for panel
- 940090 (13.) Washer



- 691601 etc. (14.) Wheel arch upholstery - please specify if you want mat only or vinyl with matting. Call with code

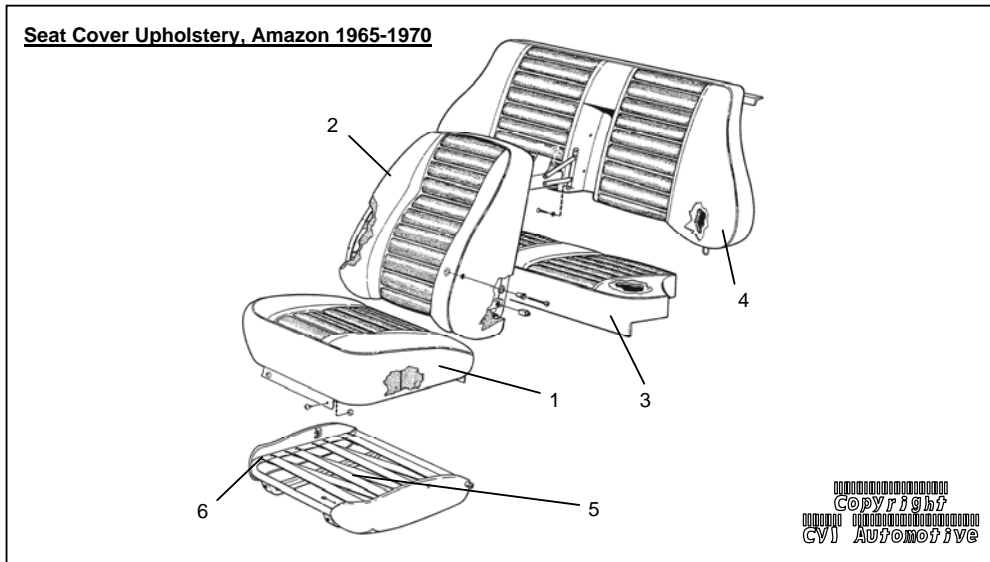
- 668969 (15.) Arm rest (from 1965), second-hand NLA
- 14939 Chromed screw on upper (metal) door panel

Door Panels (incl. frt. pocket & lower seal moulding unless stated)

Upholstery Code stamped on chassis plate in engine bay

690414/15	(16.)	Door panel, front	(lh/rh)	(Beige 1962-1963)	501-230 or 504-215
690416/17	(17.)	Door panel, rear	(lh/rh)	(Beige 1962-1963)	501-230 or 504-215
690606/07	(18.)	B-post panel	(lh/rh)	(Beige 1962-1963)	501-230 or 504-215
690840/41	(16.)	Door panel, front	(lh/rh)	(Red 1962-1963)	503-232
690842/43	(17.)	Door panel, rear	(lh/rh)	(Red 1962-1963)	503-232
690844/45	(18.)	B-post panel	(lh/rh)	(Red 1962-1963)	503-232
690828/29	(16.)	Door panel, front	(lh/rh)	(Grey 1962-1963)	502-231
690830/31	(17.)	Door panel, rear	(lh/rh)	(Grey 1962-1963)	502-231
690832/33	(18.)	B-post panel	(lh/rh)	(Grey 1962-1963)	502-231
691218/19	(16.)	Door panel, front	(lh/rh)	(Red 1964)	508-255
691220/21	(17.)	Door panel, rear	(lh/rh)	(Red 1964)	508-255
691228/29	(18.)	B-post panel	(lh/rh)	(Red 1964)	508-255
691214/15	(16.)	Door panel, front	(lh/rh)	(Grey 1964)	507-254
691216/17	(17.)	Door panel, rear	(lh/rh)	(Grey 1964)	507-254
691226/27	(18.)	B-post panel	(lh/rh)	(Grey 1964)	507-254
691496/97	(16.)	Door panel, front	(lh/rh)	(Light blue 1965)	513-521
691504/05	(17.)	Door panel, rear	(lh/rh)	(Light blue 1965)	513-521
691520/21	(18.)	B-post panel	(lh/rh)	(Light blue 1965)	513-521
691490/91	(16.)	Door panel, front	(lh/rh)	(Red 1965)	510-518
691498/99	(17.)	Door panel, rear	(lh/rh)	(Red 1965)	510-518
691514/15	(18.)	B-post panel	(lh/rh)	(Red 1965)	510-518
691805/06	(16.)	Door panel, front	(lh/rh)	(Red 1966)	514-536
691811/12	(17.)	Door panel, rear	(lh/rh)	(Red 1966)	514-536
691799/00	(18.)	B-post panel	(lh/rh)	(Red 1966)	514-536
691998/99	(16.)	Door panel, front	(lh/rh)	(Black 1965-68)	511-519
692000/01	(17.)	Door panel, rear	(lh/rh)	(Black 1965-68)	511-519
691516/17	(18.)	B-post panel	(lh/rh)	(Black 1965-68)	511-519
692143/44	(16.)	Door panel, front	(lh/rh)	(Tan 1967-68)	519-555
692149/50	(17.)	Door panel, rear	(lh/rh)	(Tan 1967-68)	519-555
692137/38	(18.)	B-post panel	(lh/rh)	(Tan 1967-68)	519-555
692145/46	(16.)	Door panel, front	(lh/rh)	(Dark green 1967)	520-556
692151/52	(17.)	Door panel, rear	(lh/rh)	(Dark green 1967)	520-556
692139/40	(18.)	B-post panel	(lh/rh)	(Dark green 1967)	520-556
692141/42	(16.)	Door panel, front	(lh/rh)	(Wine red 1967-68)	518-554
692147/48	(17.)	Door panel, rear	(lh/rh)	(Wine red 1967-68)	518-554
692135/36	(18.)	B-post panel	(lh/rh)	(Wine red 1967-68)	518-554
692916/17	(16.)	Door panel, frc (lh/rh)		(Red 1969) (no pocket)	524-600
692922/23	(17.)	Door panel, re (lh/rh)		(Red 1969)	524-600
692940/41	(18.)	B-post panel (lh/rh)		(Red 1969)	524-600
692912/13	(16.)	Door panel, frc (lh/rh)		(Beige 1969) (no pocket)	522-598
692922/23	(17.)	Door panel, re (lh/rh)		(Beige 1969)	522-598
692940/41	(18.)	B-post panel (lh/rh)		(Beige 1969)	522-598
692914/15	(16.)	Door panel, frc (lh/rh)		(Blue 1969) (no pocket)	523-599
692920/21	(17.)	Door panel, re (lh/rh)		(Blue 1969)	523-599
692938/39	(18.)	B-post panel (lh/rh)		(Blue 1969)	523-599

Most upholstery covers have now been remanufactured for Amazon B18 & B20 models '65-'70, or will be coming shortly. These are made in Sweden to original equipment standards and quality.



Front Seat (bottom & upright) Covers

Colour

Upholstery Code stamped on chassis plate in engine bay

691438/41	(1/2) Front seat cover/upright cover	Black 1965-1968	417 (P130), 168 (P120), 511 (P220)	
691434/37	(1/2) Front seat cover/upright cover	Red 1965-1966	416/420 (P130), 167/175/ (P120), 510/514 (P220)	
692092/93	(1/2) Front seat cover/upright cover	Tan (brown) 1967-1968	425 (P130), 184 (P120), 519 (P220)	
692094/95	(1/2) Front seat cover/upright cover	Dark green 1967-1968	426 (P130), 185 (P120), 520 (P220)	
692090/91	(1/2) Front seat cover/upright cover	Wine red 1967-68	424 (P130), 183 (P120), 518 (P220)	
375954/55	(1/2) Front seat cover/upright cover	Black 1969	417B	Use 691438/41
692887/88	(1/2) Front seat cover/upright cover	Blue 1969	431-596 (P130) or 523-599 (P220)	
692889/90	(1/2) Front seat cover/upright cover	Red 1969	432-597 (P130) or 524-600 (P220)	
692885/86	(1/2) Front seat cover/upright cover	Beige 1969	430-595 (P130) or 522-598 (P220)	
695085/89	(1/2) Front seat cover/upright cover	Blue 1970	435-637 (P130 only)	
695084/88	(1/2) Front seat cover/upright cover	Red 1970	434-636 (P130 only)	

Rear Seat (bottom & upright) Covers

691472/73	(3/4) Rear seat cover/upright cover, P130 (2-dr.)	Black 1965-1968	417-515	
691470/71	(3/4) Rear seat cover/upright cover, P130 (2-dr.)	Red 1965 (use for '66 also)	416-514 & 420-532	
692108/09	(3/4) Rear seat cover/upright cover, P130 (2-dr.)	Wine red 1967-1968	424-551	
692110/11	(3/4) Rear seat cover/upright cover, P130 (2-dr.)	Tan 1967-1968	425-552	
692112/13	(3/4) Rear seat cover/upright cover, P130 (2-dr.)	Dark green 1967-1968	426-553	
375956/57	(3/4) Rear seat cover/upright cover, P130 (2-dr.)	Black 1969	417B	Use 691472/73
692893/94	(3/4) Rear seat cover/upright cover, P130 (2-dr.)	Blue 1969	431-596	
692895/96	(3/4) Rear seat cover/upright cover, P130 (2-dr.)	Red 1969	432-597	
692891/92	(3/4) Rear seat cover/upright cover, P130 (2-dr.)	Beige 1969	430-595	
695092/93	(3/4) Rear seat cover/upright cover, P130 (2-dr.)	Blue 1970	435-637	
695090/91	(3/4) Rear seat cover/upright cover, P130 (2-dr.)	Red 1970	434-636	
691462/63	(3/4) Rear seat cover/upright cover, P120 (4-dr.)	Red 1965 (use for '66 also)	167-502, 171-506, 175-523, 179-527	
691464/65	(3/4) Rear seat cover/upright cover, P120 (4-dr.)	Black 1965-1967	168-503 or 172-507	
692100/01	(3/4) Rear seat cover/upright cover, P120 (4-dr.)	Dark green 1967	185-547	
692096/97	(3/4) Rear seat cover/upright cover, P120 (4-dr.)	Wine red 1967	183-545	
692098/99	(3/4) Rear seat cover/upright cover, P120 (4-dr.)	Tan 1967	184-546 or 187-549	
691480/81	(3/4) Rear seat cover/upright cover, P220	Black 1965-1967	511-519	
691478/79	(3/4) Rear seat cover/upright cover, P220	Red 1965 (use for '66 also)	510-518, 514-536	
692118/19	(3/4) Rear seat cover/upright cover, P220	Dark green 1967-68	520-556	
692114/15	(3/4) Rear seat cover/upright cover, P220	Wine red 1967-68	518-554	
692116/17	(3/4) Rear seat cover/upright cover, P220	Tan 1967-1968	519-555	
692897/98	(3/4) Rear seat cover/upright cover, P220	Beige 1969	522-598	
692899/00	(3/4) Rear seat cover/upright cover, P220	Blue 1969	523-599	
692901/02	(3/4) Rear seat cover/upright cover, P220	Red 1969	524-600	

671118M	(5.) Webbing, under front seat (and upright)	(per meter)
671118	(5.) Webbing, under front seat	(ready-to-fit)
671226	(6.) Clip, for pirelli webbing	(R)

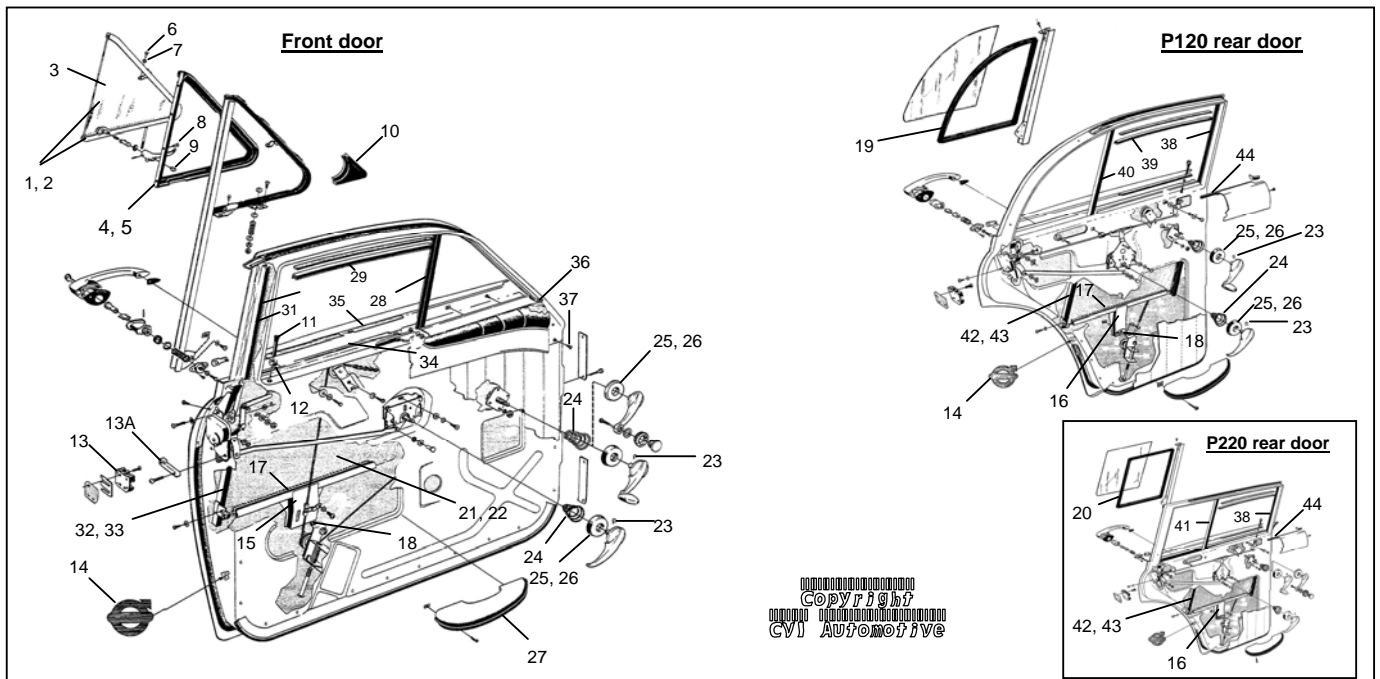
<u>Part #</u>	
653779	(1.) Ventilation window, with chrome, lhs
653780	(2.) Ventilation window, with chrome, rhs
657475	(3.) Vent window pane, clear glass
673457	(4.) Rubber seal, lhs (genuine)
673458	(5.) Rubber seal, rhs (genuine)
17455	(6.) Rivet (large) (2/car)
120151	(7.) Washer, for large rivet (2/car)
191644	(8.) Rivet, vent window seal to frame (8 per car)
672481	(9.) Lock button on vent window (from 1968)
654562	(10.) Wedge seal in front of qtr-light
666424	(11.) Lock button, black plastic
662294	(12.) Plastic bush for lock button
673280	(13.) Striker plate, rhs, P130, later type
673277/78	(13A.) Guide on striker plate (lh/rh)
678127	(14.) Volvo reflective sticker on doors

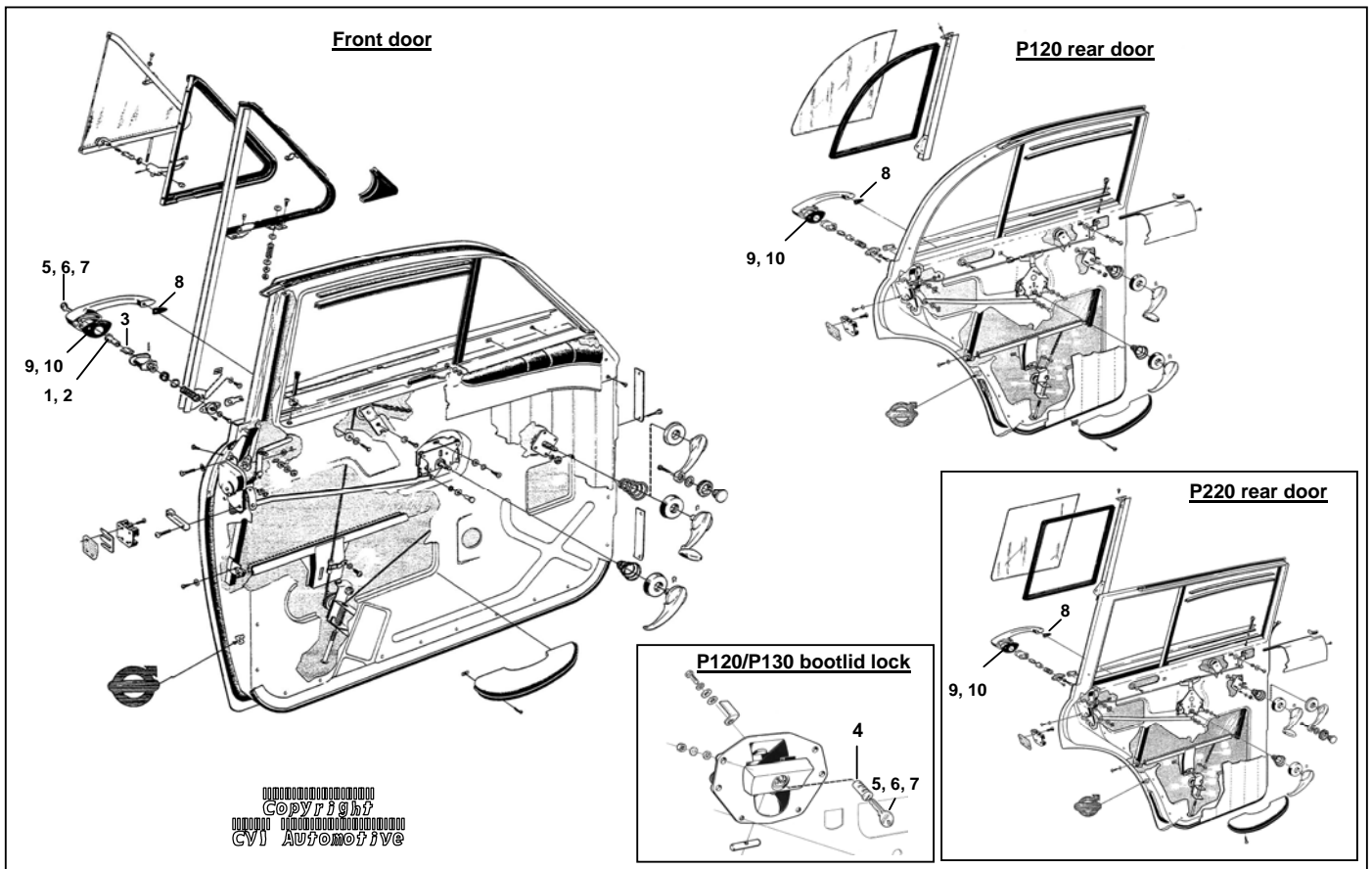
<u>Part #</u>	
653726	(15.) Elevator channel, for front doors
653742	(16.) Elevator channel, for rear doors
320551	(17.) Rubber filler strip, for elevator channels
656577	(18.) Rubber stop for elevator channels
92590	Metal lock cap for elevator channels
950020	Screw for cap
955946	Lock washer
661810	(19.) Rear vent window seal, P120 (lh & rh)
662689	(20.) Rear vent window seal, P220 wagon
657476	(21.) Door glass, P120/220, clear
655179	(22.) Door glass, P130, clear (side glass set P120 green tint - see p. 56)
654168	(23.) Lock clip, for inner handles
192245-VT	Special tool for removal of inner handle clip
659949-B	(24.) Spring (2nd-hand)
654169	(25.) Bakelite washer (up to 1964)
670664	(26.) Bakelite washer (1965-1970)

Door Glass guide channels:
(GC = guide channel)

<u>Part #</u>	<u>2-door (P130)</u>
653998	(28.) GC, front upright, to early 1969
673851	(28.) GC, front upright, 1969-1970
655182	(29.) GC, upper, to early 1969
673848	(30.) GC, upper + rear upright, 1969-1970
654029	(31.) GC, rear upright, to early 1969
663610	(32.) GC, inner rear, lhs (NB. <u>Stainless steel</u>)
663611	(33.) GC, inner rear, rhs (NB. <u>Stainless steel</u>)
655195	(34.) Felt seal, upper inner (on inside of glass)
DGG-2	Guide channel set, 2-dr, '61-'68
DGG-2a	Guide channel set, 2-dr, '69-'70 (NB. These kits <u>exclude</u> 663610/11)
670810	(35.) Door glass scraper seal (570 mm)
13319RD	(36.) Seal on inside of vent window
14939	(37.) Chromed screw, upper (metal) door panel

<u>Part #</u>	<u>4-door and wagon (front door) P120/P220</u>
653998	(28.) GC, front door front upright
653997	(29.) GC, front door upper
654029	(31.) GC, front door rear upright
653766	(32.) GC, front door lower rear, lhs
653767	(33.) GC, front door lower rear, rhs
653996	(34.) Felt seal, upper inner (on inside of glass)
	4-door and wagon (rear door) P120/P220
653896	(38.) GC, rear door front upright (P120/P220)
653997	(39.) GC, rear door upper (P120/P220)
654565	(40.) GC, rear door rear upright (upper), P120
660229	(41.) GC, rear door rear upright (upper), P220 Use 654565
654566	(42.) GC, rr door rear upr't (lower lhs, <u>stainless</u>)
654567	(43.) GC, rr door rear upr't (lower rhs, <u>stainless</u>)
653996	(44.) Felt seal, upper inner (on inside of glass)
670810	Door glass scraper seal (P120/P220)
DGG-4	Guide channel set, 4-dr/P220 (all 4 doors) (NB. This kit <u>excludes</u> 653766/67, 654566/7)





Part #

Part #

- 655800 (1.) Door lock with 2 keys, lhs
- 655802 (2.) Door lock with 2 keys, rhs
- 654146 (3.) Pushrod in door locks
- 655801 Door locks, 1 pair with same keys
- 666229 (4.) Bootlid lock with 2 keys, P120/P130
- 663804 Lock set, sedan (3 locks, 2 keys)**
- 660137 (5.) Key blank (type FP)
- 660138 (6.) Key blank (type FR)
- 671319 (7.) Key blank (type FS)

- 653716 (8.) Gasket, under outer door handle (front small)
- 660147 (9.) Gasket, under outer door handle (rear large)
- 673682 (10.) Gasket (rear large), P130 from ch. 304970-
- 950021 (11.) Screw, for mounting of outer handle (2/car)
- 955946 Lock washer
- 669366 Tailgate lock barrel, P220 wagon
- 669367 Lock set, P220 wagon (3 locks, 2 keys)**
- 662720 Sliding pin, in lower tailgate handle, P220
- 663749 Gasket, und. top t'gate outer handle (2/car)

Part #
276614

Door mirror (original fitting/option 1968-70), arm attached to front of base. Fitted with threaded studs through door panel. (blue-tinted flat glass)




276613

Door mirror (first offered 1973) with arm fixed to rear of base, blue-tinted flat glass. (Fitted by means of 2 screws from the outside)




1213608

Mirror head, convex blue-tinted glass (use with 276613 or 276614 above)

277521 (RP) Wing mirror with round head flat glass
277521 (RK) Wing mirror with round head convex glass



CVI-619F Cone-shaped racing mirror (chromed) flat glass
CVI-619C Cone-shaped racing mirror (chromed) convex glass

Windscreens & Heated rear screens (for pick-up only):

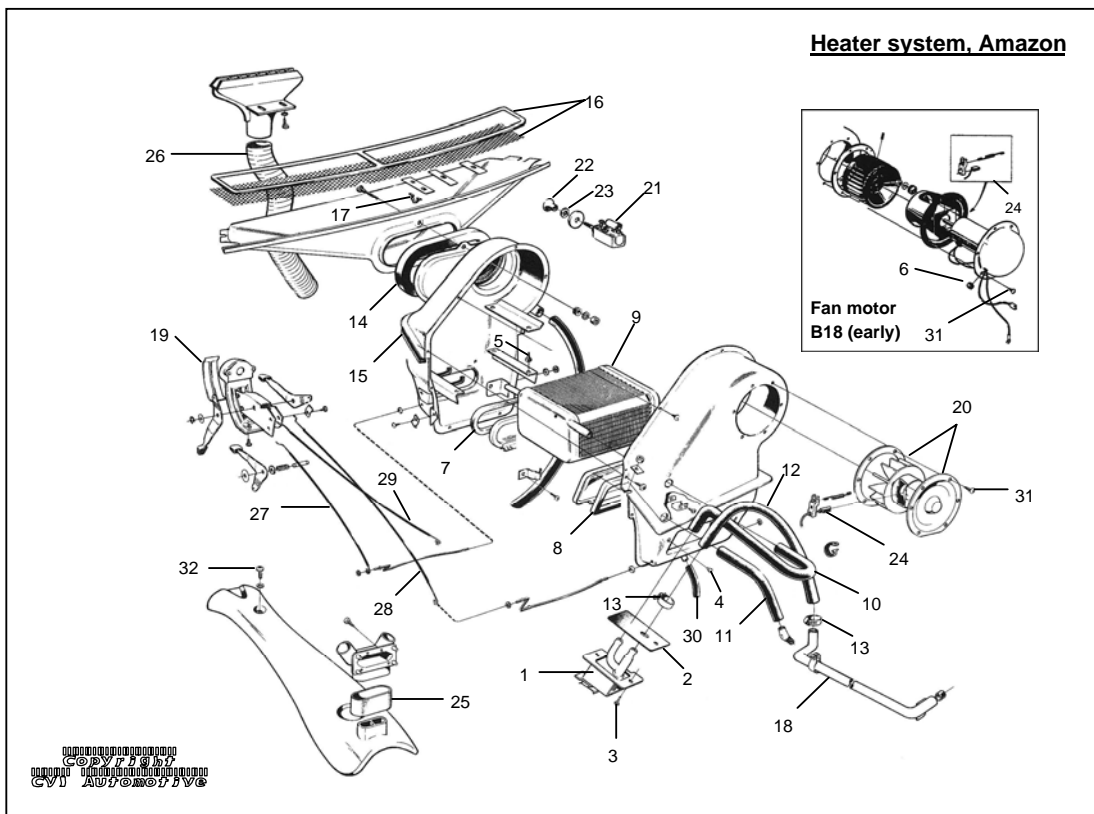
- 656843 Windscreen, clear
- 671889 Windscreen, green
- 671890 Windscreen, green strip along top
- 671891 Windscreen, blue strip along top

- 673712 Rear screen, sedan, clear, heated
- 673713 Rear screen, sedan, green, heated
- 661983 Rear screen, P220, clear, heated
- 661984 Rear screen, P220, green, heated

Side glass:

- 657474-GS Set of door/side glass, Amazon P120 4 dr sedan (green tint)
- 656988-RUB Rubber seal for fitting glass in rear side glass frames, P130

673452	(1.)	Heater control valve	654290	(17.)	Clips for air intake, '57-'66 (steel)	(6/car)	
659357	(2.)	Rubber seal					
955138	(3.)	Screw	(2/valve)	672382-1	Clips for air intake, '67-'70 (black plastic)		
93963	(4.)	Rubber plug	(1 per car)	418628	(18.)	Water return pipe, B18 ('61-'66)	Use 419331
82429	(5.)	Rubber button	(8 per car)	419331	(18.)	Water return pipe, B20	
40136	(6.)	Grommet for early fan cables		660529	(19.)	English text for heater control	
658722	(7.)	Sponge seal for flap		660530	(19.)	Swedish text for heater control	
658728	(8.)	Sponge seal for flap		671436 (B)	(20.)	Fan motor (later type, <u>used</u>)	
653203	(9.)	Heater core (B18/B20)		662115	(21.)	Switch for fan, 12v (not USA/Can 68-70)	
660047	(10.)	Hose (core to valve, B16/B18)		662115-B	(21.)	Switch for fan, 12v (2nd-hand)	
673705	(11.)	Hose (core - elbow union, B16/B18)		658191	(22.)	Handle (not USA/Can 68-70)	
943053	(12.)	Hose (pipe to valve, B16/B18)		654442	(23.)	Chromed nut (not USA/Can 68-70)	
682140		Hose (core to valve, B20)		670391	(25.)	Rubber union for rear connection	
673637		Hose (pipe to valve, B20)		672483P	(26.)	Defroster hose, corrugated (1957-1964)	
673639		Hose (core to elbow union, B20)		672483		Defroster hose, plastic (1965-1970)	
951789	(13.)	Hose clamps (blue painted housings)		659599-1	27-29.	Control cable set, heater system	Call
658731	(14.)	Sponge seal, behind heater unit		661063	(30.)	Drain hose, under heater unit	
659752	(15.)	Sponge seal, under heater unit		955137	(31.)	Screw	
				955138	(32.)	Screw	



273341	Safety-belt for one front seat (inertia-reel type) (R)	(R)
274013	Safety-belt for one rear seat	(R)

LITERATURE

2001	Haynes Workshop manual for Volvo Amazon/1800 series
2003	"Essential Volvo 120 series" by Anders Ditlev Clausager
2005	"Volvo P120 - The Amazon Series" by Dieter Günther & Walter Wolf

SPARE PARTS CATALOGUES (VOLVO)

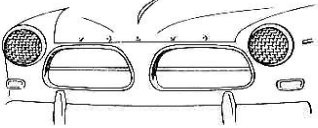
212107	Volvo Spare Parts catalogue, Volvo Amazon B16
212117	Volvo Spare Parts catalogue, Volvo Amazon B18
212119	Volvo Spare Parts catalogue, Volvo Amazon B20
2008	Volvo fast-moving parts catalogue for Amazon, PV/Duett, 140/160 1971

STICKERS AND DECALS

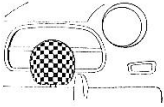
1001	B16B Air filter sticker	(LHD)	
1002	B16 Charging regulator, 6 volt		
1003	B16 Ignition coil, 6 volt		
1004	B16 Charging regulator, 6 volt (large type)		
1005	B16 Valve cover	(B16A)	
1006	B18B/D Air filter 1961-1966	LHD (AC)	73606
1007	B18B/D Air filter 1961-1966	RHD (Coopers)	667583
1008	B18 Charging regulator (Bosch 12v)		
1009	B18 Ignition coil (yellow)		
1010	B18B/D Air filter ('67-'68)	LHD & RHD	672280/81
1011			
1012	B18 Ignition coil (white, '67-'68)		
1013	B18 Radiator sticker		
672765	B18/B20 Alternator warning (from '67 GT, 121/122 '68-)		
1014	B20 Ignition coil (green, '69-'70)		
1015	B20/B30 Valve cover sticker ("Check belt tension acc to...")		
1016	B20 Radiator sticker ("Filled with genuine Volvo coolant...")		
1017	"TUDOR Safety Sweden" (old batteries)		
678127	Reflector sticker on door edge		
1018	"Do not open See Instruction book" (radiator cap, '67-'70)		
1019	"Fill cooling syste (expansion bottle cap '67-'70)		
1020	"A Product of Superb Swedish Engineering" (back window)		
1021	H sticker, for "högertrafik", when Sweden changed over in '67		
1022	"Volvo Rally - European Champion 1963 & 1964"		
1026	"Bosch Volvo Imp", on alternator (Amazon, 140, P1800)		
1029	"Brrrrrrrrrrrrrr" Air condition decal		
660529	Heater control, red, English text (on dashboard)		
660530	Heater control, red, Swedish text (on dashboard)		

CVI-LID Chromed "peaks", above h/lamps

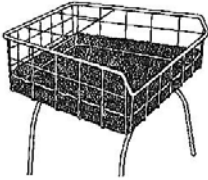
672618 Bracket (stainless), for GT spotlamps



Headlamp stone guard kit
277328 (R) NLA

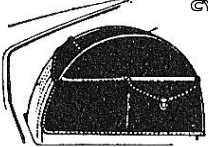


Covers for spot & fog lamps:
281056 123 GT (Volvo logo)
281070 Marchal logo NLA




277173 Wire basket for propshaft tunnel

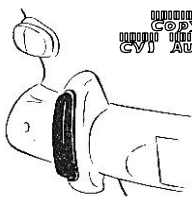
Hubpuller, for removal of rear brake drum
(Note: non-genuine)
9991791R




Spare wheel covers:
279731 Textile reinforced plastic with pocket & Volvo logo



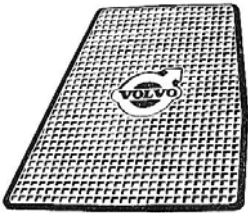
Black 279731-1
Red 279731-2
Blue 279731-3
Green 279731-4
Brown 279731-5



671246 Override protector




Accessory floor mat sets:
Rubber (grey or black)
Textile (coarse-weave 6-pc. set)
Blue, dark grey or red



212400 Wheelarch protectors, front (moulded - superb rust protection!) CVI-LA2 Wheelarch protectors, rear Call (Call for availability)

NB. The front ones are moulded to exact shape of the wheel arch, & give a better protection than the old-style aluminium ones.



277178 Exhaust extension pipe (Chromed) (Standard on 123 GT) NLA


277360 Filler cap (lockable) with Volvo logo

277249 Luggage comp. container



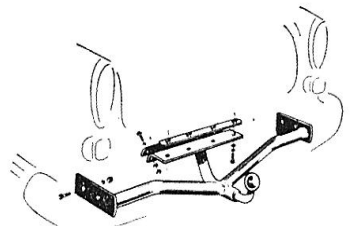


ML-001



Minilite wheel (genuine)
5.5" x 15" (ET14)
Aluminium alloy

277481 Tow bar, sedan
277483 Tow bar, P220 station wagon
277479 Tow ball cover, polished



Dear Customer

We at CVI hope that you will find (and continue to find) this catalogue a great help in assisting in the restoration or ongoing maintenance of your Volvo. Our aim is to enable you to identify the parts you want as easily as possible. This will not only help you to acquire the parts you want but will also help us to pick and pack the correct parts.

We have now set up a webshop to enable you to place orders in as easy a manner as possible. Please remember that it helps both you and us if you always use the same e-mail address when you go to the check-out.

Sending goods in return/Sending core units for rebuild

In order for CVI to avoid having to pay Swedish import duties and VAT when goods are returned, or when sending us, say, SU carburettors for rebuild, it is **MOST IMPORTANT** to mark the package as follows:

1.) When returning goods:

"Defective goods returned under warranty - no commercial value for Customs purposes"

1.) When sending goods for re-build:

"Goods sent for renovation/re-build and return - no duties or VAT applicable"

Please note: We reserve the right to alter prices without prior notice

WWW.CVI-AUTOMOTIVE.SE